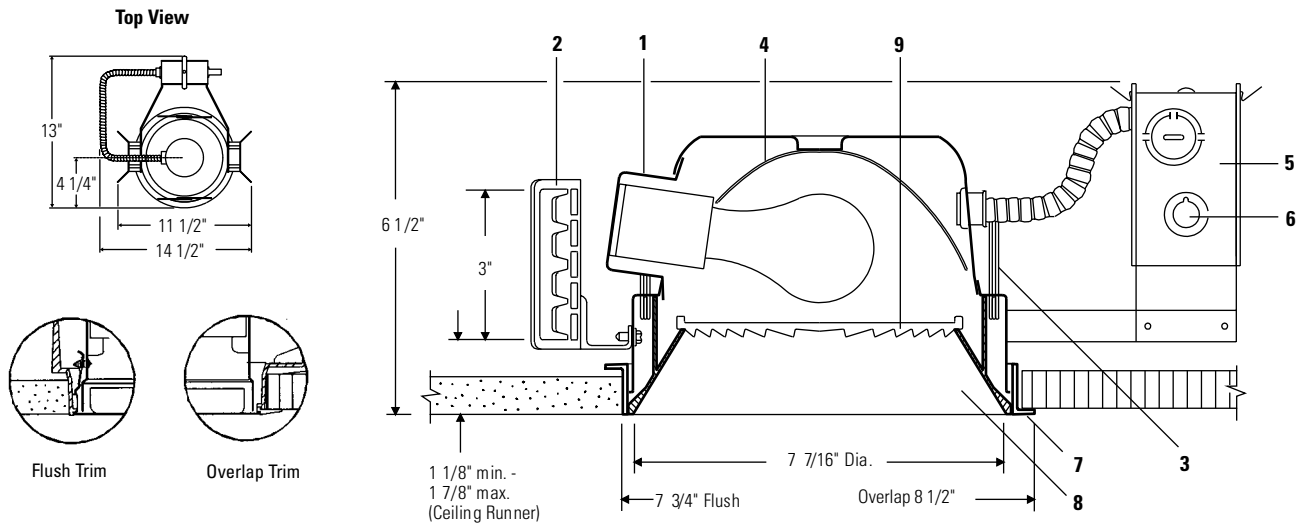


# Calculite® Incandescent Lensed Downlight **7794QD**

Page 1 of 2

7 3/8" Aperture Horizontal Lamp Fresnel Lenslite



**Ceiling Cutout: 7 7/8" Dia.**

## Ordering Information

<b>Catalog Number</b>	<b>Lamp</b>
7794QD	A19 100W MB19 100W

## Features

- Socket Cup:** Die-formed steel effectively dissipates heat and assures lamps maintain proper optical alignment to reflector. Contains medium base porcelain socket with nickel plated screw shell wired with No. 18 SF1 leads to J-Box.
- Mounting Brackets:** Adjust vertically from inside of fixture. Durable 16 ga. steel construction. Use with standard 3/4" or 1 1/2" lathing channels (by others), or Lightolier accessory mounting bars.
- Retaining Springs:** Torsionite springs secure bezel reflector housing.
- Reflector:** Specular Alzak® aluminum, 16 ga., reflector housing can be detached from inside of fixture for access to splices after installation.
- Junction Box:** 14 ga. steel, 4" x 3 1/2" x 2" box allows inspection from below.
- Thermal Protector:** Meets NEC and UL requirements. Insulation must be kept 3" away from fixture sides and wiring compartments and must not be placed above fixture in a manner which will entrap heat.
- Trim Frame:** Die-cast aluminum suitable for dry or plaster ceilings. Flanges for dry ceilings, reversible flangeless trim for use in plaster ceilings. Matte white baked enamel finish.
- Bezel:** Die-cast aluminum bezel forms deep attractive conical aperture. Matte white baked enamel finish. Includes black polyurethane foam gasket to provide effective light and dust shield.
- Lens:** 6" diameter gray coloured risers. Recessed 1 1/2" from ceiling.

## Options & Accessories

<b>18" Mounting Bars</b>	<b>1950</b> (set of 2)
<b>27" Mounting Bars</b>	<b>1951</b> (set of 2)
<b>T-Bar Anchor Clips</b>	<b>1956</b> (set of 4, for 1950 & 1951 bars)
<b>Wood Joist Mtg. Bars</b>	<b>7994</b> (set of 2)
<b>Sloped Ceiling Adapter</b>	<b>7926</b> (see SCA specification sheet)
<b>Step Down Transformer</b>	<b>7997</b> 277v Step Down Transformer (277v primary 1.1 amp/120v secondary, 300w capacity)

## Electrical

UL listed for maximum of 8 No.12, 75°C through branch circuit supply conductors, or 60°C supply conductors for end of run.

## Labels

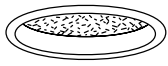
UL Listed for wet locations, I.B.E.W.

Alzak® is a registered trademark of ALCOA.

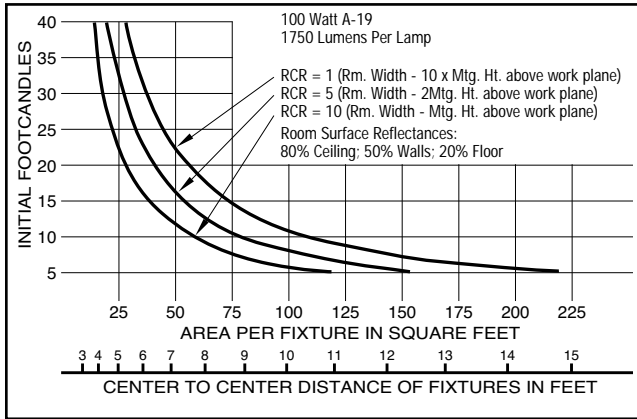
Job Information	Type:
<b>Job Name:</b>	
<b>Cat. No.:</b>	
<b>Lamp(s):</b>	
<b>Notes:</b>	

**Lightolier** a Genlyte Thomas Company www.lightolier.com  
 631 Airport Road, Fall River, MA 02720 • (508) 679-8131 • Fax (508) 674-4710  
 We reserve the right to change details of design, materials and finish.  
 © 2003 Genlyte Thomas Group LLC (Lightolier Division) • B0303

# LIGHTOLIER®

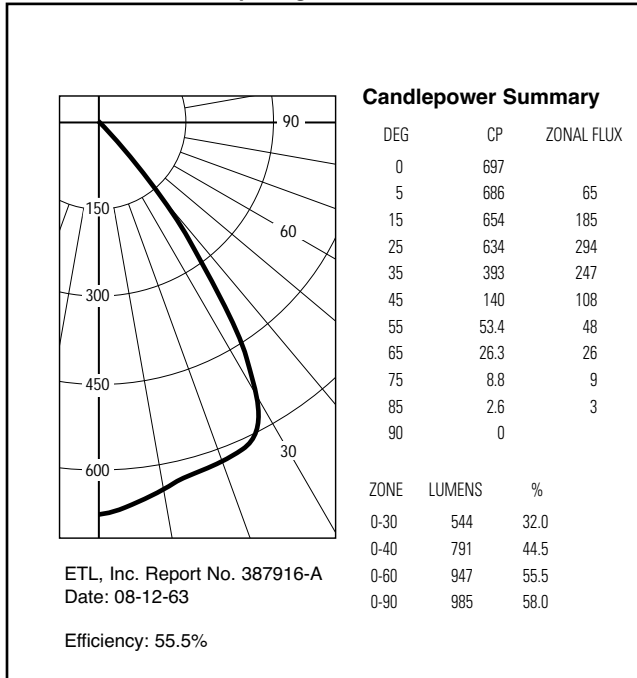


# Calculite® Incandescent Lensed Downlight **7794QD**



Use quick calculator chart to determine spacing of luminaires for desired level of illumination.  
Conversion Factors:

**Spacing Ratio = 1.1**



**Coefficients of Utilization**  
% Effective ceiling cavity reflectance

Room cavity ratio	% Effective ceiling cavity reflectance															
	80			70			50			30			10			0
	50	30	10	50	30	10	50	30	10	50	30	10	50	30	10	0
1	.64	.62	.61	.62	.61	.60	.60	.59	.58	.58	.57	.56	.56	.55	.54	.53
2	.60	.57	.55	.59	.56	.54	.57	.55	.53	.55	.53	.52	.53	.52	.51	.50
3	.56	.53	.51	.55	.52	.50	.54	.51	.50	.52	.50	.49	.51	.49	.48	.47
4	.52	.49	.47	.51	.49	.46	.50	.48	.46	.49	.47	.45	.48	.46	.45	.44
5	.49	.46	.43	.49	.45	.43	.48	.45	.43	.47	.44	.42	.46	.44	.42	.41
6	.46	.43	.40	.46	.43	.40	.45	.42	.40	.45	.42	.40	.43	.41	.39	.39
7	.43	.40	.38	.43	.40	.38	.42	.39	.37	.42	.39	.37	.41	.39	.37	.36
8	.41	.37	.35	.40	.37	.35	.40	.37	.35	.39	.36	.34	.39	.36	.34	.34
9	.38	.35	.32	.38	.35	.32	.37	.34	.32	.37	.34	.32	.36	.34	.32	.31
10	.34	.30	.28	.34	.30	.28	.33	.30	.28	.33	.30	.28	.32	.30	.28	.27

20% Floor cavity reflectance  
Conversion Factor:

**Job Information** **Type:**

Lightolier a Genlyte Thomas Company [www.lightolier.com](http://www.lightolier.com)  
631 Airport Road, Fall River, MA 02720 • (508) 679-8131 • Fax (508) 674-4710  
We reserve the right to change details of design, materials and finish.  
© 2003 Genlyte Thomas Group LLC (Lightolier Division) • B0303

**LIGHTOLIER®**