

READ AND UNDERSTAND THESE INSTRUCTIONS BEFORE INSTALLING FIXTURE

This fixture is intended for installation in accordance with the National Electrical Code and local regulations. To assure full compliance with local codes and regulations, check with your local electrical inspector before installation. To prevent electrical shock, turn off electricity at fuse box before proceeding.

Retain these instructions for maintenance reference.

INSTRUCTION SHEET NO.

IS:5410

1291

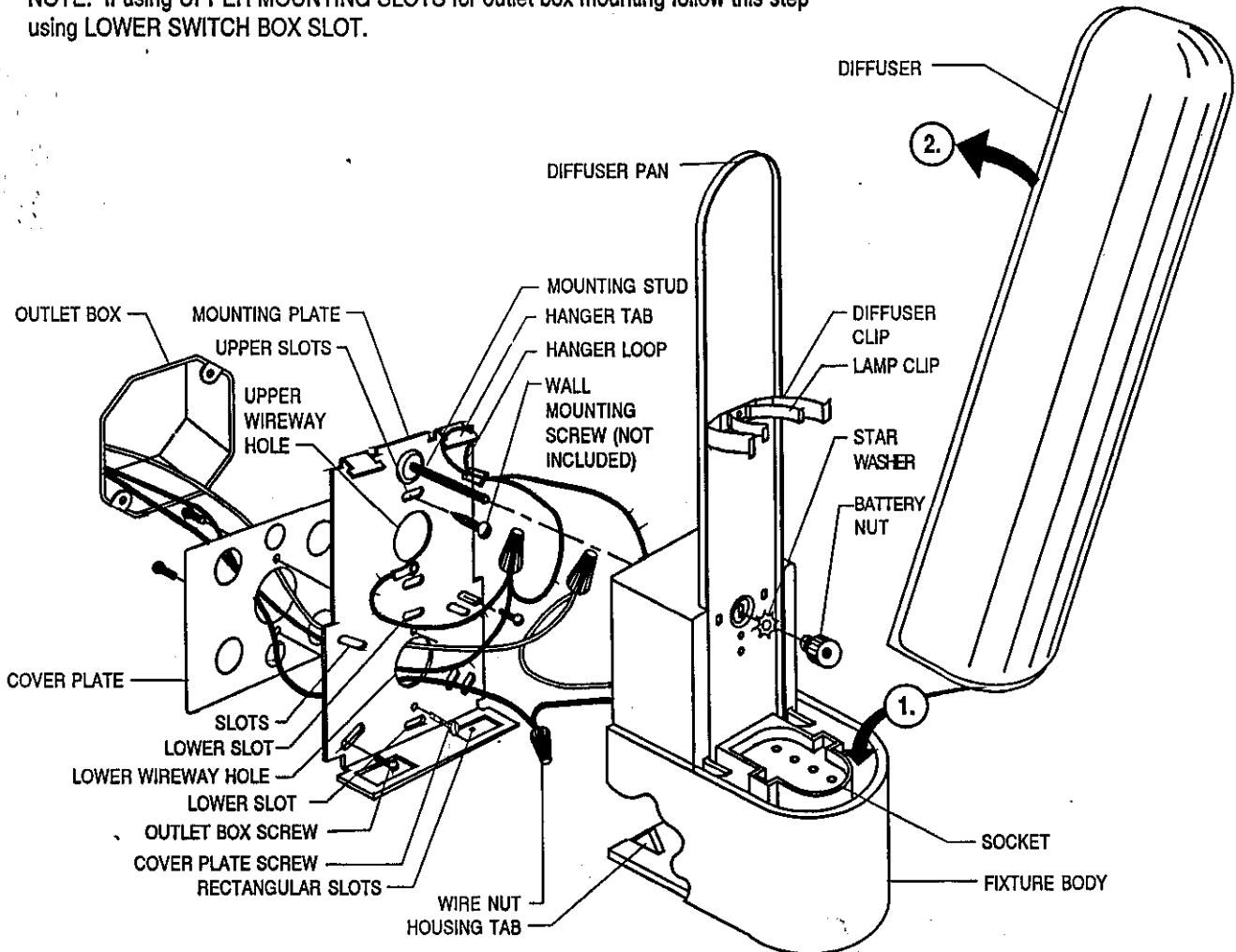
**INSTRUCTIONS FOR INSTALLATION OF HELIOS
COVERS FIXTURES: 5410, 5411, and 5414**

A. FOR OCTAGONAL OUTLET BOX MOUNTING.

1. Screw COVER PLATE to the backside of MOUNTING PLATE with SCREWS provided.
2. Pull supply wires from OUTLET BOX through the LOWER WIREWAY HOLE in MOUNTING PLATE.
3. Using outlet box screws (provided with outlet box) secure MOUNTING PLATE to outlet box using appropriate SLOTS in MOUNTING PLATE.
4. Using the upper most MOUNTING SLOT in MOUNTING PLATE further secure MOUNTING PLATE directly to wall using wood screws, toggle bolts or alternate fastener (not provided) depending on wall material.

B. FOR VERTICALLY MOUNTED RECTANGULAR GEM OR SWITCH BOXES.

1. Pull supply wires from outlet box through the LOWER WIREWAY HOLE in MOUNTING PLATE.
 2. Using outlet box screws (provided with outlet box) secure MOUNTING PLATE to outlet box using the two LOWER SWITCH BOX SLOTS.
- NOTE: If desired, fixture can be mounted 3 1/4" lower relative to outlet box by following the above two steps using the upper switch box slots and upper wireway hole.
4. Using the upper MOST MOUNTING SLOT in MOUNTING PLATE further secure MOUNTING PLATE directly to wall using wood screws, toggle bolts or alternate fastener (not provided) depending on wall material.
- NOTE: If using UPPER MOUNTING SLOTS for outlet box mounting follow this step using LOWER SWITCH BOX SLOT.



A. INSTALLATION OF FIXTURE BODY

1. Remove DIFFUSER from FIXTURE BODY by gently grasping DIFFUSER towards top and pull directly away from DIFFUSER PAN.
2. Hook HANGER LOOP over one of HANGER TABS on MOUNTING PLATE and allow fixture to hang.
3. Make connections black fixture lead or fixture lead without tracer marks to black (hot) supply lead; white fixture lead or fixture lead with tracer marks to white (neutral) supply lead. Uninsulated fixture wires are ground wires and all must be connected to grounding terminal or wire in "outlet box". Use wirenuts (local hardware item).

CAUTION: Push supply wires and wirenut connections back into outlet box.

4. Mount FIXTURE BODY to MOUNTING PLATE by angling HOUSING TABS up through RECTANGULAR SLOTS in MOUNTING PLATE.

CAUTION: Make certain that no wires are pinched between mounting plate and fixture body.

5. Gently push fixture body against wall until MOUNTING STUD comes through SLOT in FIXTURE BODY, secure in place using STAR WASHER and BATTERY NUT.
6. Install recommended lamp by engaging lamp base into SOCKET and then snapping into LAMP CLIP.
7. Position open end of DIFFUSER down into FIXTURE BODY ① and gently push DIFFUSER back against DIFFUSER PAN until DIFFUSER snaps into place ②.

NOTE: Support back of DIFFUSER PAN before snapping DIFFUSER into place.

CAUTION: Use lamp types/wattages as marked on fixture. For vertical mounting only.