

**INSTRUCTIONS FOR ASSEMBLY AND INSTALLATION  
FIXTURES COVERED BY THIS INSTRUCTION SHEET:  
4190, 4191, 4192, 4193, 4194, 4195**

INSTRUCTION SHEET NO.

**IS:4190**  
0889

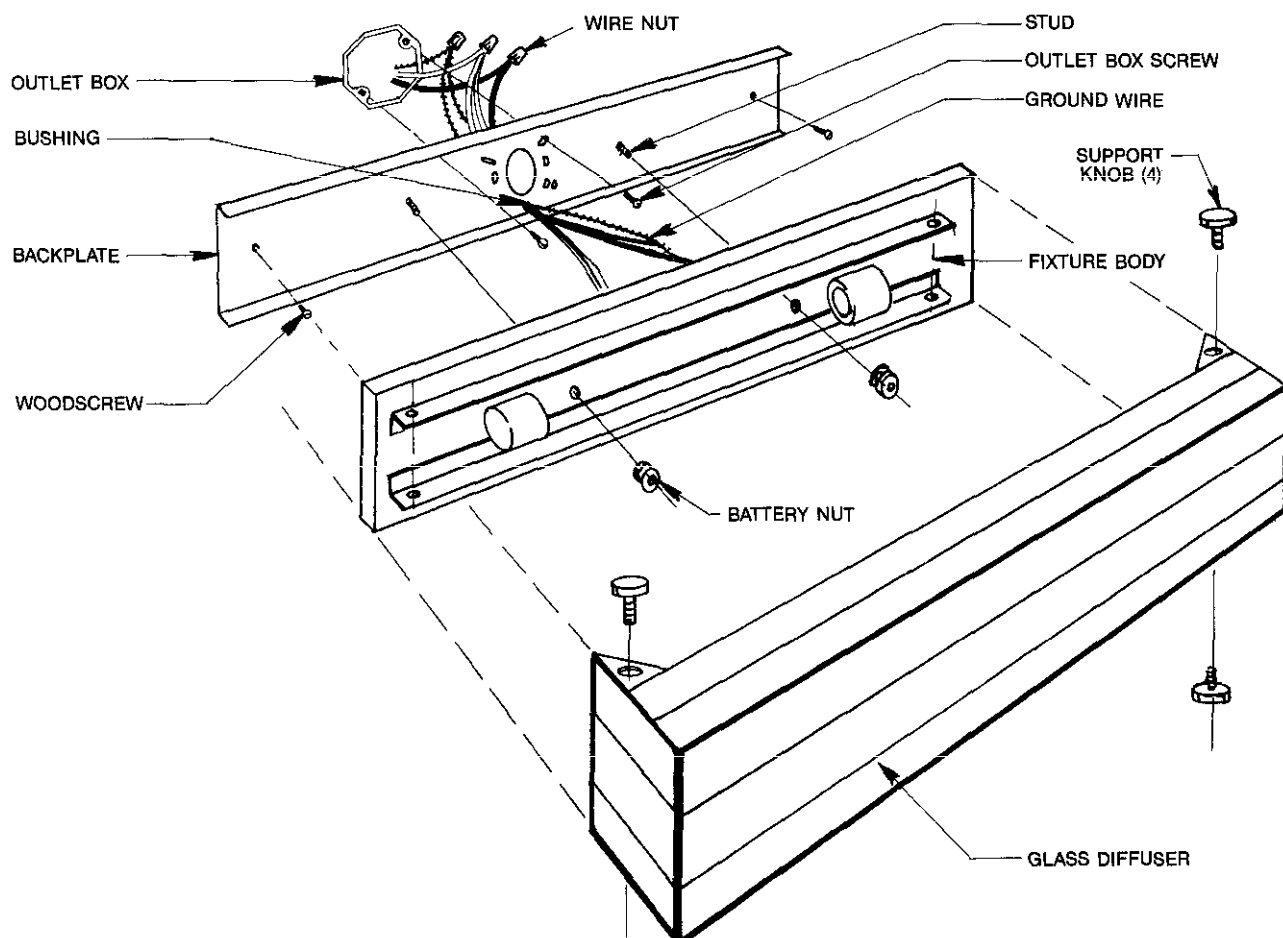
**READ AND UNDERSTAND THESE INSTRUCTIONS BEFORE INSTALLING FIXTURE.**

This fixture is intended for installation in accordance with the National Electrical Code and local regulations. To assure full compliance with local codes and regulations, check with your local electrical inspector before installation. To prevent electrical shock, turn off electricity at fuse box before proceeding.

**Retain these instructions for maintenance reference.**

1. Remove appropriate knockouts from BACKPLATE (mounting holes to match OUTLET BOX SCREWS).
2. Pull fixture leads through BUSHING in BACKPLATE. Make connections: Black fixture lead or fixture lead without tracer mark to black supply lead; white fixture lead or fixture lead with tracer mark to white supply lead. Uninsulated wire is a GROUND WIRE and must be connected to a grounding terminal or ground wire in the OUTLET BOX. Use WIRE NUTS (local hardware item). Place connections in OUTLET BOX.
3. Attach BACKPLATE to OUTLET BOX with OUTLET BOX SCREWS. Secure 24" and 32" fixtures to wall with WOOD SCREWS or alternate fastener (not provided).
4. Place FIXTURE BODY over STUDS of BACKPLATE. Secure with BATTERY NUTS.
5. Install recommended lamps.
6. Install GLASS DIFFUSER by aligning it over FIXTURE BODY. Fasten GLASS DIFFUSER to FIXTURE BODY by threading the four SUPPORT KNOBS thru the corners of GLASS DIFFUSER and into FIXTURE BODY.

**CAUTION: MAXIMUM WATTAGE AS MARKED ON FIXTURE MUST NOT BE EXCEEDED.**



**LIGHTOLIER®** SECAUCUS, NEW JERSEY, 07096  
MONTREAL, QUEBEC, CANADA