

READ AND UNDERSTAND THESE INSTRUCTIONS BEFORE INSTALLING FIXTURE

This fixture is intended for installation in accordance with the National Electrical Code and local regulations. To assure full compliance with local codes and regulations, check with your local electrical inspector before installation. To prevent electrical shock, turn off electricity at fuse box before proceeding.

Retain these instructions for maintenance reference.

INSTRUCTION SHEET NO.

IS:40600

0893

Page 1 of 2

INSTRUCTIONS FOR INSTALLATION OF QUADRO FIXTURES.

COVERS FIXTURES: 40600N1, 40600H1 AND 40600N2

INSTALLATION OF BACKPLATE:

1. Thread **CROSSBAR MOUNTING SCREWS** into **CROSSBAR** so mounting screw heads tighten into recessed area of **CROSSBAR** (Fig. 1).
2. Using the appropriate slots in **CROSSBAR**, secure **CROSSBAR** to **OUTLET BOX** using **OUTLET BOX SCREWS** (provided with **OUTLET BOX**).
3. While supporting **BACKPLATE** make connections: black fixture lead or fixture without tracer marks to hot (black) supply lead; white fixture lead or fixture lead with tracer marks to neutral (white) supply lead. Uninsulated fixture wire is a ground wire and must be connected to grounding terminal or ground lead inside **OUTLET BOX**. Use **WIRE NUTS** (local hardware item). Push supply wires and wire nut connections back into **OUTLET BOX**.
4. Position **BACKPLATE** over **CROSSBAR** allowing **CROSSBAR MOUNTING SCREWS** to come through holes in **BACKPLATE**.
CAUTION: Make certain wires are not pinched between parts.
5. Secure **BACKPLATE** in position by installing **BATTERY NUTS** over **CROSSBAR MOUNTING SCREWS** and tighten.
6. Install recommended lamps by pushing lamp base into **SOCKET**.

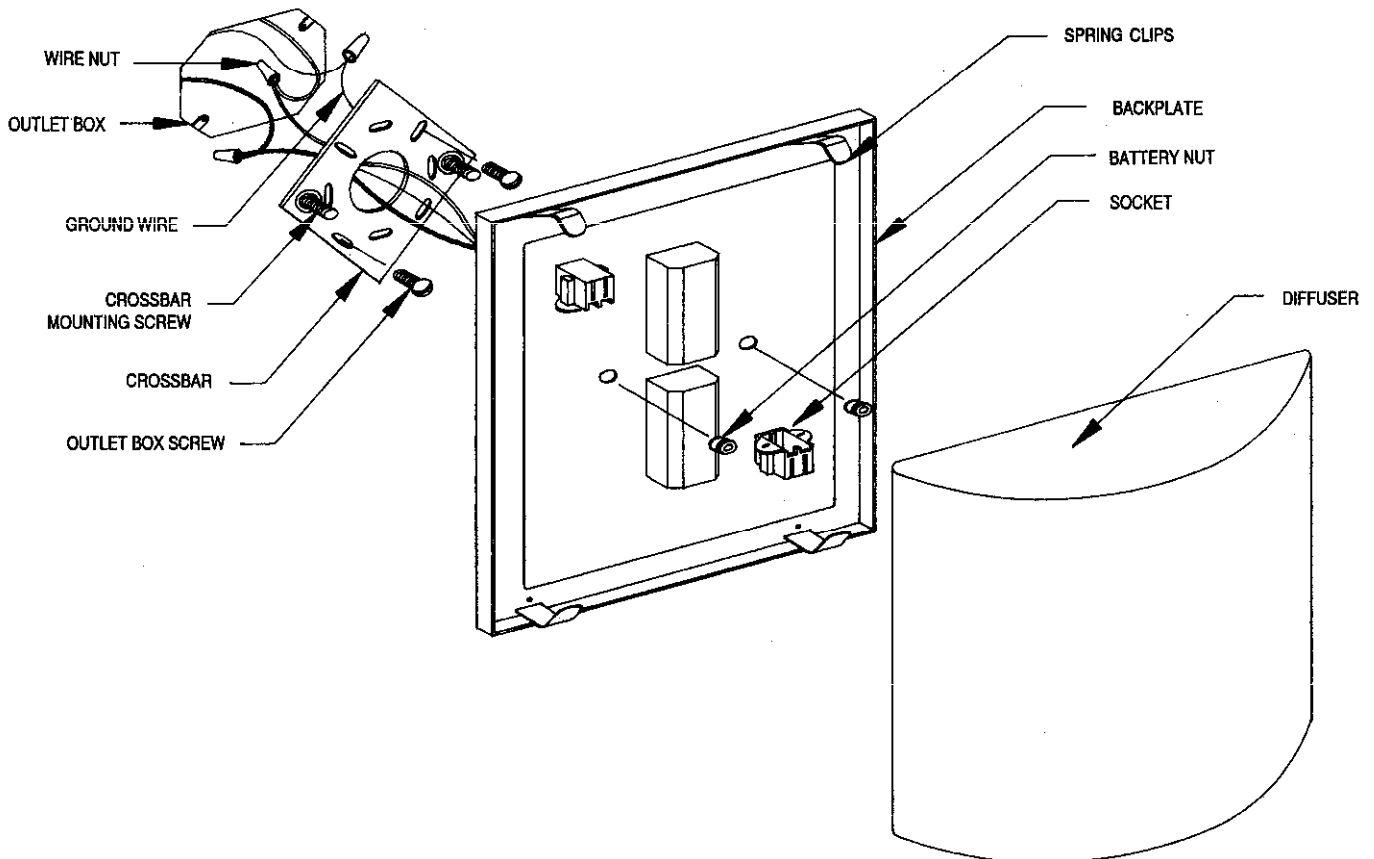


FIG. 1

INSTRUCTIONS FOR INSTALLATION OF QUADRO FIXTURES CONTINUED

COVERS FIXTURES: 40600N1, 40600H1 AND 40600N2

DIFFUSER INSTALLATION:

1. Position DIFFUSER over top two SPRING CLIPS on BACKPLATE allowing LIP on the inside of DIFFUSER to engage over SPRING CLIPS (Fig. 2).
2. Swing DIFFUSER down and gently push bottom of DIFFUSER over SPRING CLIPS until DIFFUSER snaps into place (Fig. 3).

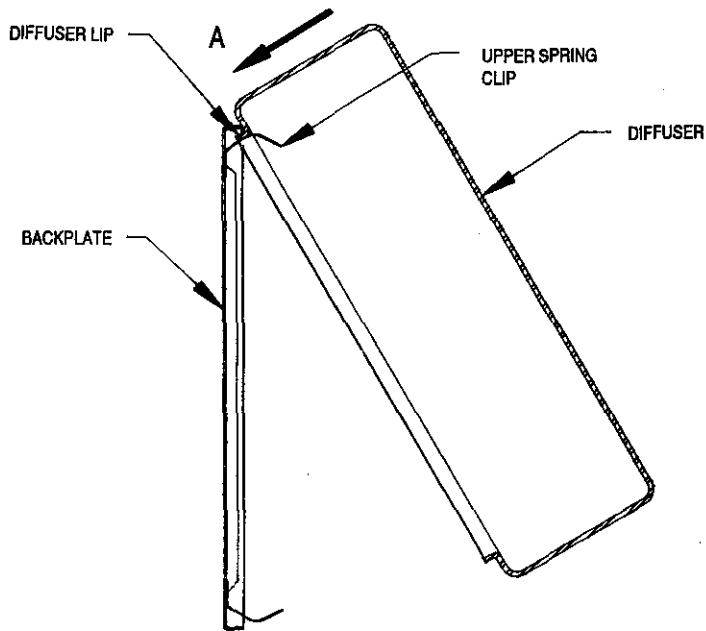


FIG. 2

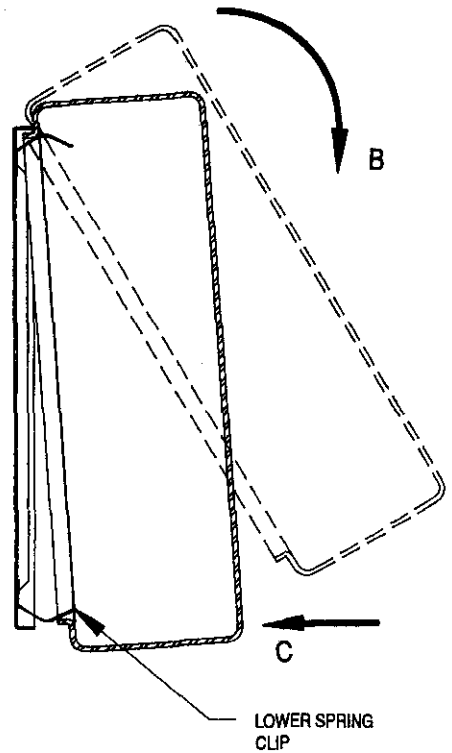


FIG. 3