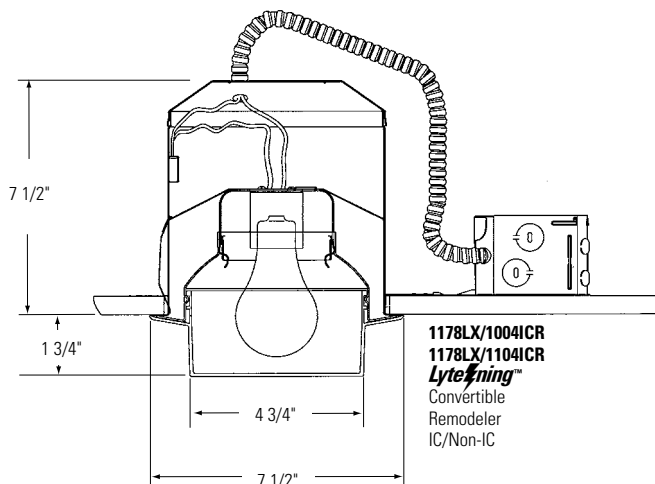
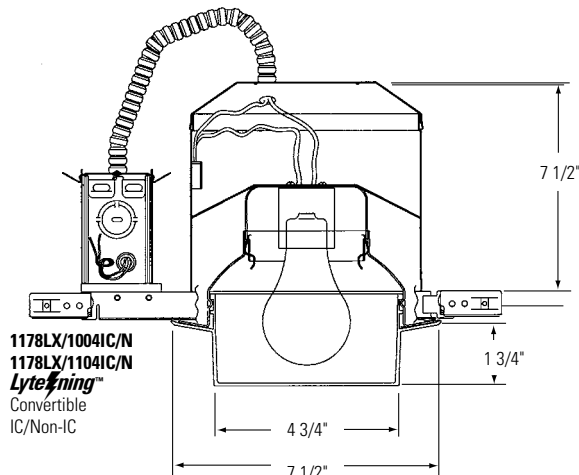




Lytecaster® Recessed Downlighting **1178LX**



5" and 6 3/4" Aperture: Complete Fixture consists of Reflector Trim & Frame-In Kit. Select each separately.

Reflector Trim	Frame-In Kit — See Individual Frame-In Kit Specification Sheets							
	Incandescent				Fluorescent			
	Frame-In Kit	Installation Type	Lamping	Height	Frame-In Kit	Ceiling Type	Lamping	Height
1178LX Lexan®	1004IC/N 1004ICR	5" Non-IC 5" Non-IC	40W A19	7 1/2" 7 1/2"	1004F13 Series	5" IC	(1) Triple 13W (GX24q-1)	7 1/2"
	1004IC/N 1004ICR	5" IC 5" IC Remodeler	40W A19	7 1/2" 7 1/2"	1104F13 Series	6 3/4" IC	(1) Triple 13W (GX24q-1)	7 1/2"
	1104IC/N 1104ICR	6 3/4" Non-IC 6 3/4" Non-IC Remodeler	52W A19	7 1/2" 7 1/2"				
	1104IC/N 1104ICR	6 3/4" IC 6 3/4" IC Remodeler	40W A19	7 1/2" 7 1/2"				

Features

- Reflector:** Hydroformed aluminum, .040" thick (18 ga.); Anobrite™ (anodic-processed) semi-specular finish for permanent reflectivity.
- Drop Opalex Diffuser:** Translucent white, break resistant polycarbonate Lexan. Installs and removes with twist-lock action; no tools required.
- Frame-In Kit:** Use only with Frame-In Kits shown above.

Labels

UL (Suitable for Wet Locations), I.B.E.W.;

Meets NEC® requirements for Spas and Hot Tubs.

NEC® is a registered trademark of the National Fire Protection Association.

Job Information	Type:
Job Name:	
Cat. No.:	
Lamp(s):	
Notes:	

Lightolier a Genlyte company www.lightolier.com
 631 Airport Road, Fall River, MA 02720 • (508) 679-8131 • Fax (508) 674-4710
 We reserve the right to change details of design, materials and finish.
 © 2007 Genlyte Group LLC • J1007