

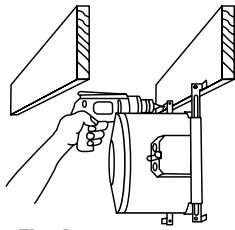
**Read and understand these instructions before installing fixture.**

This fixture is intended for installation in accordance with the National Electrical Code and local regulations. To assure full compliance with local codes and regulations, check with your local electrical inspector before installation. To prevent electrical shock, turn off electricity at fuse box before proceeding.

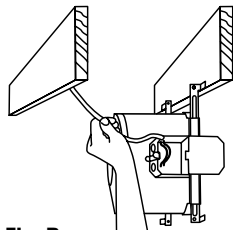
**Retain these instructions for maintenance reference.**

### New Construction

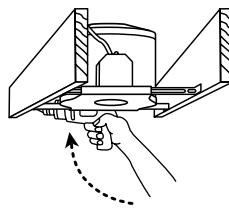
**NOTE: I.C. Frame-In Kit may be used in direct contact with insulation.**



**Fig. A**  
Frame-In



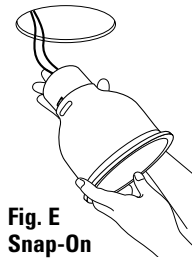
**Fig. B**  
Wire-In



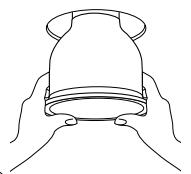
**Fig. C**  
Swing-Up



**Fig. D**  
Close-In



**Fig. E**  
Snap-On

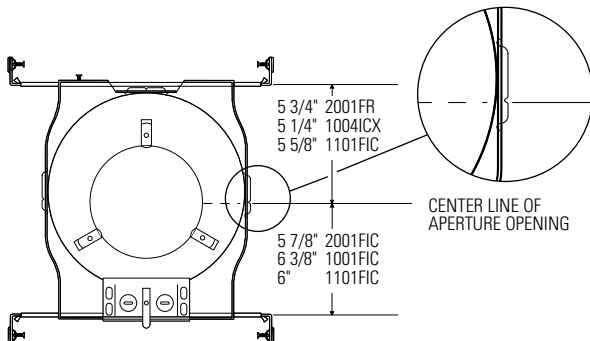


**Fig. F**  
Push-Up

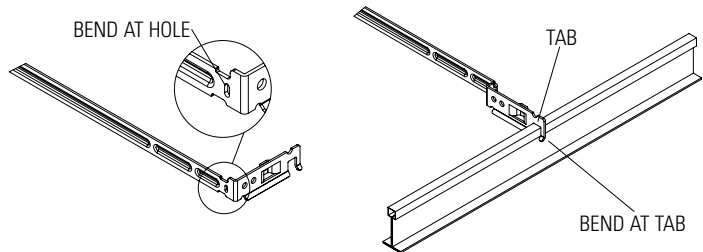
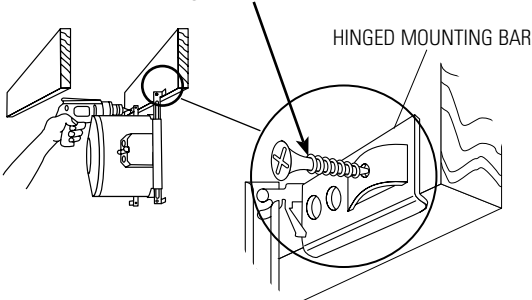
**Warning: Use Only With Lightolier Reflector Trims Marked With I.C. Lamping Information. Use of Other Manufacturers' Trims Voids the Underwriters Laboratories Listing and Could Constitute A Fire Hazard**

#### 1. FRAME-IN (Fig. A)

Locate fixture along joist and line up bottom edge of HINGED MOUNTING BAR with the bottom of joist and fasten in place.

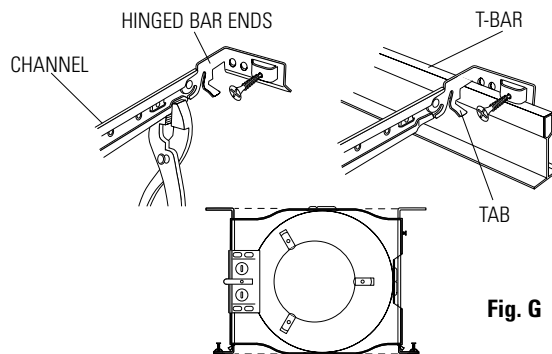


Note: Integral nail version available



#### For suspended ceilings:

- Rotate HINGED BAR ENDS to position shown and fully extend bars.
- Crimp bottom of edge of CHANNEL to prevent rotation of HINGED BAR ENDS.
- Bend NON-HINGED end of mounting bar at featured hole location and extend out.
- Position notched area of MOUNTING BARS onto T-BAR and lock by bending TAB underneath T-BAR BEAD as shown.
- For suspended ceiling, make certain that bottom of Mounting Frame is no higher than 1" above ceiling line.



**Fig. G**

#### For Joist Spacing Less Than 16" On Center (To 12" On Center):

- MOUNTING BAR CHANNELS can be shortened and used as nailing legs in tight spaces. Simply remove INNER BAR from holed CHANNEL, bend CHANNEL at appropriate point and use extra screw to secure it to the joist. (Fig. G)

Lightolier a Genlyte company

631 Airport Road, Fall River, MA 02720 • (508) 679-8131 • Fax (508) 674-4710

We reserve the right to change details of design, materials and finish.

© 2007 Genlyte Group LLC • B0607

www.lightolier.com

**LIGHTOLIER®**

### 2. WIRE-IN (Fig. B)

Open hinged J-BOX COVER fully to its locked position (lift slightly to unlock).

Open hinged KNOCK OUT to allow NON-METALLIC CABLE to enter JUNCTION BOX. Push CABLE through CLAMP.

**Note:** Wiring and connections must not be placed in JUNCTION BOX in a manner which will interfere with the CLAMPS action to provide strain relief.

Wire to SUPPLY LEADS. WHITE FIXTURE LEAD to NEUTRAL SUPPLY LEAD. BLACK FIXTURE LEAD to HOT (120V) SUPPLY LEAD. BARE FIXTURE WIRE to SUPPLY GROUND. Use wirenuts (local hardware item). Place all electrical connections in the J-BOX and close the J-BOX COVER.

### 3. SWING-UP (Fig. C)

Extend MOUNTING BAR to reach opposite joist and fasten in place.

Adjust to desired position along MOUNTING BAR and lock in place using LOCKING SCREW.

### 4. CLOSE-IN (Fig. D)

Install plasterboard or other dry type ceiling. Hole in board can be cut either on the floor or after the board is secured to the ceiling using MOUNTING FRAME opening as cutting guide. Make sure spring clips are rotated out of hole area to be cut, also making sure that socket and wiring are positioned away from hole area. Spring clips can only be rotated counterclockwise. This detail allows easy removal of reflector trim by rotating TRIM counterclockwise and permits installing Reflector Trim tightly against the ceiling surface by rotating trim clockwise after pushing Trim into ceiling.

### 5. AIRSEAL® INSTALLATION (optional)

Install a bead of silicone caulking compound between the ceiling opening and edge of HOUSING. Housings are tested in accordance with ASTM E 283 (max 2 cfm @ 75 pa) and comply with WSEC & IECC when installed as instructed.

### 6. SNAP-ON (Fig. E)

Important - Insert SOCKET CUP in neck of REFLECTOR making sure SPRING TABS fully engage into SLOTS in REFLECTOR.

} See Separate Reflector Trim Instruction Sheets

### 7. PUSH-UP (Fig. F)

Push REFLECTOR TRIM straight up until it is tight against ceiling.

### 8. BALLAST REPLACEMENT

A qualified electrician must perform ballast replacement. Turn off power. Remove reflector trim from luminaire. Remove fasteners that secure the ballast to the housing. Remove ballast assembly through ceiling hole. Disconnect all input wiring to the ballast. Release all wires from ballast wire connectors by inserting small blade tool with insulated handle into wire release slots (Figure H). Remove ballast and replace with new ballast. Rewire, see label on ballast for wiring diagram then reassemble.

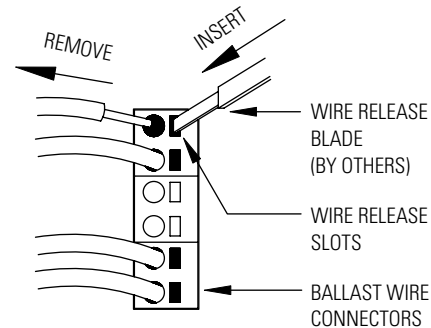
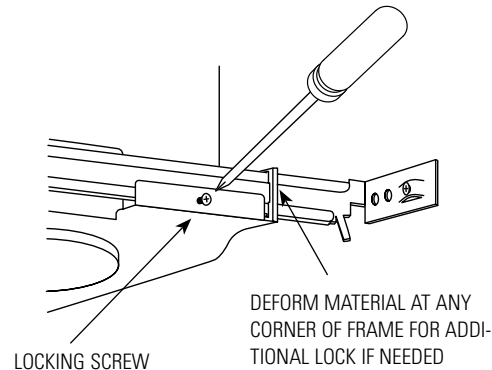
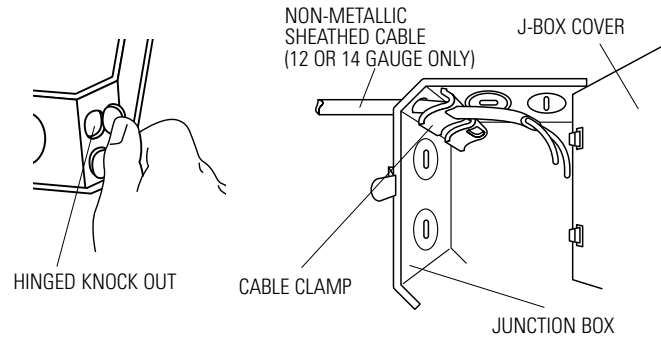


Figure H

U.S. and Foreign Patents Pending