



KWC SYSTEMA



Model number:

10.501.003.[---] 8" Reach

10.501.004.[---] 10" Reach

Deck-mounted, single-hole, side-lever mixer with swivel spout and pull-out spray.

Available in:

[727] Solid Stainless

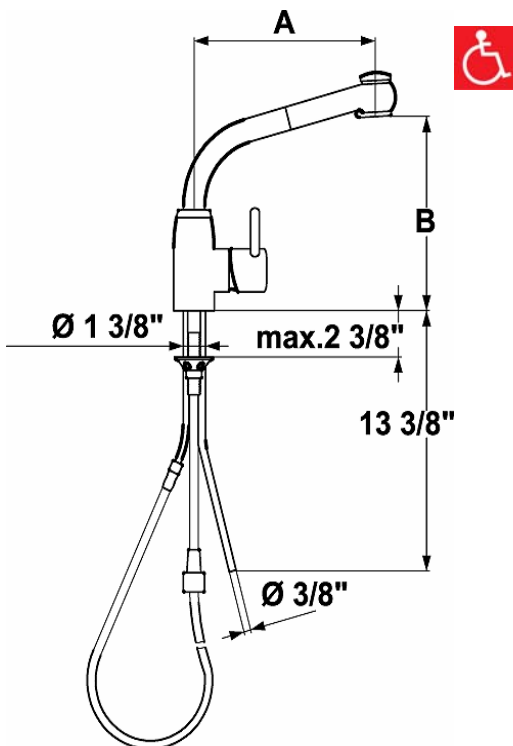
Steel/Splendure™ Stainless Steel

[736] Solid Stainless Steel/Matte Black

Measurements:

10.501.003.[---] A= 8" B= 9 7/16"

10.501.004.[---] A= 10" B= 9 7/8"



Features:

- Durable, solid, low-lead brass or solid stainless steel construction
- Installs with lever on right side only
- Swivel spout 160° with pull-out spray
 - TAC turn and clean aerator,
 - KWC JETCLEAN technology
 - lockable spray mode
 - automatic diverter reset
 - pull-out length 27"
- Universal ceramic disc cartridge with adjustable temperature and flow rate limitation
- 3/8" OD copper supply lines
- Mounting hole size Ø = 1 3/8"
- Flow rate: 2.2 gpm @ 60 psi