



KWCPUREJET



Model number:

K.18.P1.02.[---]A26 7" Reach

K.18.P1.03.[---]A26 9" Reach

Single hole, single lever kitchen mixer with swivel spout, pull-out spray and integrated filtered water tap

Available in:

K.18.P1.02.[---]A26

[000] All chrome

[244] Splendure™ Stainless Steel/Matte Black

K.18.P1.03.[---]A26

[000] All chrome

[034] Chrome/Blue

[127] Splendure™ Stainless Steel

[244] Splendure™ Stainless Steel/Matte Black

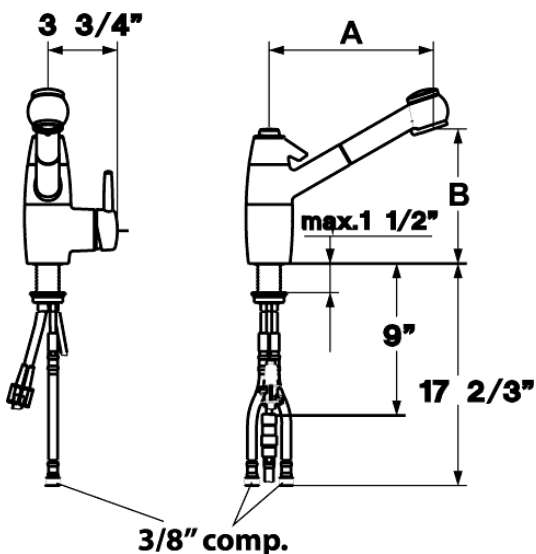
Measurements:

K.18.P1.02.[---]A26 A= 7" B= 6 1/4"

K.18.P1.03.[---]A26 A= 9" B= 7 1/2"

Features:

- Swivel spout 140° with pull-out spray
 - TAC turn and clean aerator
 - KWC JETCLEAN technology
 - automatic diverter reset
 - with lockable needle spray
 - pull-out length 27"
- Ceramic disc cartridge with adjustable temperature and flow rate limitation
- Mounting hole size $\varnothing = 1 \frac{3}{8}$ "
- Flow rate: 2.2 gpm @ 60 psi (spout)
1.0 gpm @ 60 psi (filtered water tap with KWCPURESTREAM filtration system)



Minimum water pressure of 45 psi required. Filtration system sold separately. Reverse osmosis filtration systems are not compatible with KWC filtered water faucets and taps. Installation with any filtration systems other than KWCPURESTREAM or KWCPURESTREAM PLUS may require adaptation. This will affect performance and will void the warranty.