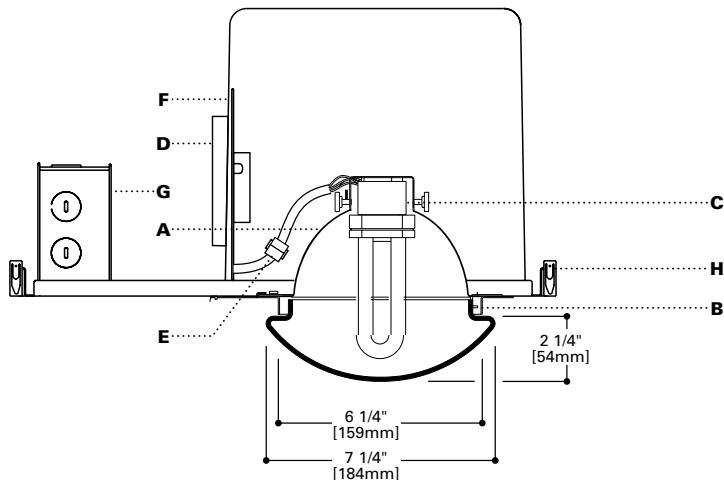


## DESCRIPTION

Specification grade 32 Watt triple tube compact fluorescent fixture for use with narrow joist spacing in wet locations and in closets where light is needed on upper shelves. Insulation must be kept 3" from fixture sides and top of fixture. Veined Italian dropped glass diffuser provides a soft

smooth illumination pattern. Triple tube lamps provide excellent color and long life. Dimming ballast option is available. **Lamp module and optical element can be changed after installation to provide a variety of lamp sources and distributions. e.g. into a PAR36 Adjustable**



## SPECIFICATION FEATURES

### A...Reflector/Lens

.040 thick aluminum spun upper reflector with white powdercoat finish. Etched satin glass obscures lamp image.

### B...Attachment

Positive torsion springs pull glass tight to ceiling. Gasket is a closed cell foam.

### C...Socket

4 pin G24q3 base for 32/26W PLT, TBX and TTT lamps. Fatigue free stainless steel spring ensures positive lamp retention. Fixed socket height ensures consistent lamp position.

### D...Electronic Ballast

Thermally protected, current controlled electronic ballast produces full light output and rated lamp life. Provides flicker free and noise free operation and starting. Meets stringent Class B requirements, FCC part 18, for non-commercial applications.

### E...Electrical

Keyed quick connect provides easy lamp module installation.

### F...Frame/Housing

Hot dipped galvanized 20 gauge steel frame with built in 1/2 inch plaster lip. Gunsights allow for consistent alignment. One piece 20 gauge steel housing for seamless construction is painted matte black for a visually dark interior.

### G...Junction Box

18 cubic inches, listed for 4#12 AWG or 6#14 AWG 90° C additional feed through conductors, has five 1/2 inch pryouts.

### H...Bar Hangers

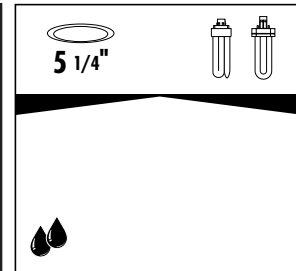
No Flex® bar hangers with positive locking, for use with wood, engineered wood and steel frame joists spaced up to 24" O.C. ship with platform. For use in T-bar ceilings order accessory MBCLP. Nailless barb and locator lip provide consistent installation height.

### I...Codes

Thermally protected, IP labeled. Unit is airtight and exchanges less than 2.0 CFM with the plenum at a pressure of 75 pascals. Insulation must be kept three inches away from fixture sides and none on top as to entrap heat.

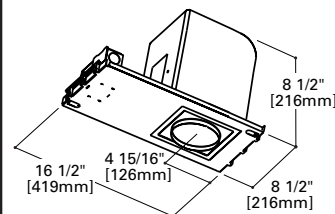
### J...Labels

UL and cUL listed, standard wet label, IBEW union made.



## PN5 M32T E5LUNA

**32W TRIPLE  
COMPACT FLORESCENT  
5" DROPPED LENS  
SHOWERLIGHT**



Ceiling Cutout  
6 1/4" [159mm]

## ENERGY DATA 5" AirTight

Input Power:  
120V = 36W  
Input Current (Max.):  
120V = .306  
Power Factor:  
120V = .98  
T.H.D.:  
120V = <10%

## M32T Lutron

Input Power:  
120V = 36W  
Input Current (Max.):  
120V = .33A  
Power Factor:  
120V = > .95  
T.H.D.:  
120V = <20%

## ORDERING INFORMATION

Complete unit consists of a platform, module and element

| Platform                | Lamp Module   | Optical Element                      | Accessories  |
|-------------------------|---|--------------------------------------|--|
| <b>PN5</b>              |   | <b>E5LUNA</b>                        |  |
| PN5 = 5" Non-IC Housing | M32T = 32W Compact Fluorescent Ballast<br>M32TLutron = 32W only Tu Wire Dimming | E5LUNA = 5" Dropped Lens Showerlight | MBCLP = 40 Push On T Bar Clips (for 10 Units)<br>PLE5 = Plaster Lip Extension for Max 2" Thick Ceiling |

**PHOTOMETRICS**

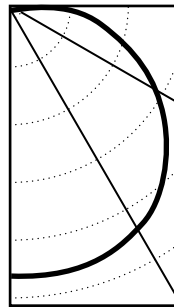
**PN5-M32T-E5LUNA**

Test No. H36081  
 Lamp: 32W PLT  
 Lumens: 2400  
 Spacing: 1.4  
 Efficiency: 35.9%  
 Unit LPW: 23.9

**Candelas**

| Vertical Angle | CD  |
|----------------|-----|
| 90             | 48  |
| 85             | 59  |
| 75             | 84  |
| 65             | 114 |
| 55             | 144 |
| 45             | 173 |
| 35             | 196 |
| 25             | 211 |
| 15             | 218 |
| 5              | 219 |
| 0              | 219 |

**Distribution**



**Cone of Light**

| Distance to Illum. Plane | Initial Nadir Footcandles | Beam Diameter |
|--------------------------|---------------------------|---------------|
| 4'6"                     | 11                        | 6'0"          |
| 5'6"                     | 7                         | 7'0"          |
| 6'6"                     | 5                         | 8'6"          |
| 8'0"                     | 3                         | 10'6"         |
| 10'0"                    | 2                         | 13'0"         |
| 12'0"                    | 2                         | 15'6"         |

Lamp Multiplier:  
26W= .75

**Single Fixture  
2'0" Distance from Wall**

| DD | 1' | 2' | 3' | 4' |   |
|----|----|----|----|----|---|
| 1  | 21 | 15 | 7  | 3  | 2 |
| 2  | 15 | 12 | 7  | 4  | 2 |
| 3  | 8  | 7  | 5  | 3  | 2 |
| 4  | 5  | 4  | 3  | 2  | 2 |
| 5  | 3  | 3  | 2  | 2  | 1 |
| 6  | 2  | 2  | 1  | 1  | 1 |
| 7  | 1  | 1  | 1  | 1  | 1 |
| 8  | 1  | 1  | 1  | 1  | 1 |
| 9  | 1  | 1  | 1  | 0  | 0 |
| 10 | 0  | 0  | 0  | 0  | 0 |

**Zonal Lumen Summary**

| Zone   | Lumens | %Lamp | %Luminaire |
|--------|--------|-------|------------|
| 0-30   | 180    | 7.5   | 20.8       |
| 0-40   | 302    | 12.6  | 35.0       |
| 0-60   | 565    | 23.5  | 65.5       |
| 0-90   | 832    | 34.7  | 96.4       |
| 90-180 | 31     | 1.3   | 3.6        |
| 0-180  | 863    | 35.9  | 100.0      |

**Coefficient of Utilization**

| Ceiling Reflectance | 80% |    |    |    | 70% |    | 50% |    | 30% |    | 0% |
|---------------------|-----|----|----|----|-----|----|-----|----|-----|----|----|
|                     | 70  | 50 | 30 | 10 | 50  | 10 | 50  | 10 | 50  | 10 | 0  |
| Room Cavity Ratio   |     |    |    |    |     |    |     |    |     |    |    |
| 0                   | 43  | 43 | 43 | 43 | 41  | 41 | 39  | 39 | 37  | 37 | 35 |
| 1                   | 38  | 36 | 34 | 32 | 35  | 32 | 33  | 31 | 32  | 29 | 27 |
| 2                   | 34  | 31 | 28 | 26 | 30  | 26 | 29  | 25 | 27  | 24 | 22 |
| 3                   | 31  | 27 | 24 | 21 | 26  | 21 | 25  | 21 | 24  | 20 | 19 |
| 4                   | 29  | 24 | 21 | 18 | 23  | 18 | 22  | 18 | 21  | 17 | 16 |
| 5                   | 26  | 21 | 18 | 15 | 21  | 15 | 20  | 15 | 19  | 15 | 14 |
| 6                   | 24  | 19 | 16 | 13 | 19  | 13 | 18  | 13 | 17  | 13 | 12 |
| 7                   | 22  | 17 | 14 | 11 | 17  | 11 | 16  | 11 | 15  | 11 | 10 |
| 8                   | 20  | 15 | 12 | 10 | 15  | 10 | 14  | 10 | 14  | 10 | 9  |
| 9                   | 19  | 14 | 11 | 9  | 14  | 9  | 13  | 8  | 13  | 8  | 8  |
| 10                  | 18  | 13 | 10 | 8  | 12  | 8  | 12  | 7  | 11  | 7  | 7  |

**Notes and Formulas:**

**Cone of Light:**

- Beam diameter is to 50% of maximum footcandles, rounded to the nearest half-foot.
- Footcandle values are initial. Apply appropriate light loss factors where necessary.

**Wall Illumination:**

- Illuminance values are cosine corrected initial values with no contribution from inter reflections from other room surfaces. Total illumination may increase from contributions from other surfaces.
- DD=Distance Down from Ceiling.

Note: Specifications and Dimensions subject to change without notice.

Visit our web site at [www.cooperlighting.com](http://www.cooperlighting.com)

