

pc⁰⁹⁵



human touch[®]



humantouch.com

800.355.2762

 human touch[®]
perfect chair[®]

use & care manual

keep it safe

IMPORTANT SAFETY INSTRUCTIONS

When using an electrical appliance, basic precautions should always be followed, including the following:

Read all instructions before using this appliance.



DANGER: To reduce the risk of electrical shock

Always unplug this product from the electrical outlet immediately after using and before cleaning.



WARNING: To reduce the risk of burns, fire, electric shock or injury to persons:

- Do not put hands or fingers near the footrest mechanism on the underside of the chair while this product is running. Touching the mechanism can result in injury.
- If the supply cord is damaged, it must be replaced by the manufacturer or its service agent or a similarly qualified person in order to avoid a hazard.
- An appliance should never be left unattended when plugged in. Unplug from outlet when not in use, and before putting on or taking off parts.
- Close supervision is necessary when this product is used by, on, or near children, invalids, or disabled persons. Keep children away from extended foot support (or other similar parts).
- Use this product only for its intended use as described in this manual. Do not use attachments not recommended by the manufacturer.
- Never operate this product if it has a damaged cord or plug, if it is not working properly, if it has been dropped or damaged, or dropped into water. Return this product to a service center for examination and repair.
- Do not carry this appliance by supply cord or use cord as a handle.
- Always keep the power cord away from heated surfaces.
- Never operate this product with the air openings blocked. Keep the air openings free of lint, hair, and the like.
- Never drop or insert any object into any opening.
- Do not use outdoors.
- Do not operate where aerosol (spray) products are being used or where oxygen is being administered.
- Do not use this product when standing on a damp floor, or when any part of the body is in contact with plumbing or any similar ground.
- Do not use this product if noise above normal sound is heard.
- Do not stand on or in appliance. Use only while seated.
- This appliance is not intended for use by persons (including children) with reduced physical, sensory or mental capabilities, or lack of experience and knowledge, unless they have been given supervision or instruction concerning use of the appliance by a person responsible for their safety. Children should be supervised to ensure that they do not play with the appliance.

Safety Precautions

- Comfortable clothing is recommended while using this product.
- If you feel any abnormal discomfort during the operation of this product, turn off the power immediately and do not use the product. Consult your physician.
- Do not pull on the AC cord.
- When using this product after it has been in storage, check to see that the product is operating properly prior to use.
- Always confirm that there are no obstacles behind the product and that there is sufficient space to recline.

SAVE THESE INSTRUCTIONS

Do not attempt to repair this product yourself.

- This product is designed for personal in-home use. Commercial use will void warranty.

pc⁰⁹⁵

welcome to **human touch**®

You have just purchased one of the finest pieces of ergonomic furniture available. The PC-095 artfully blends the best of aesthetics, technology and wellness in a seating experience that transcends the highest standards of comfort.

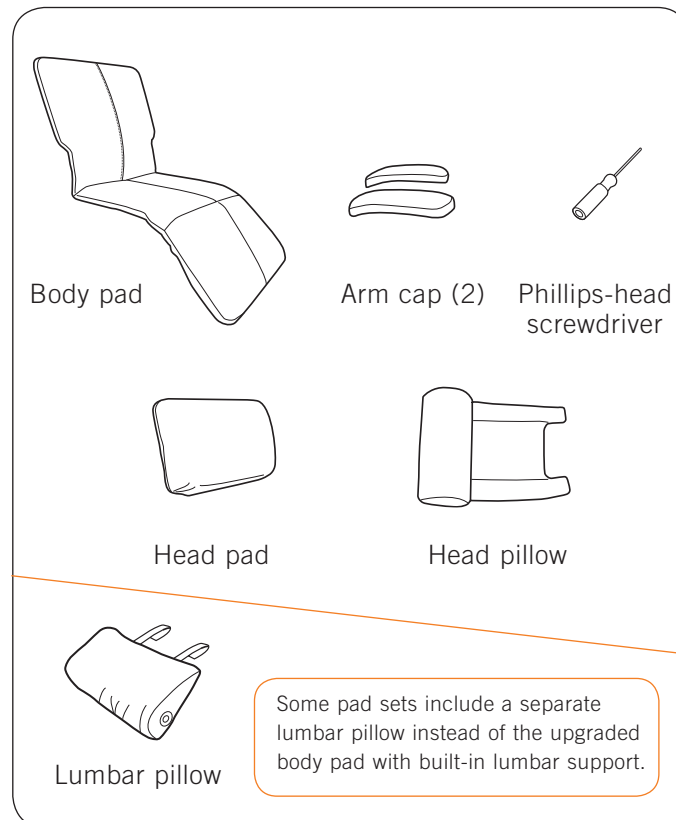
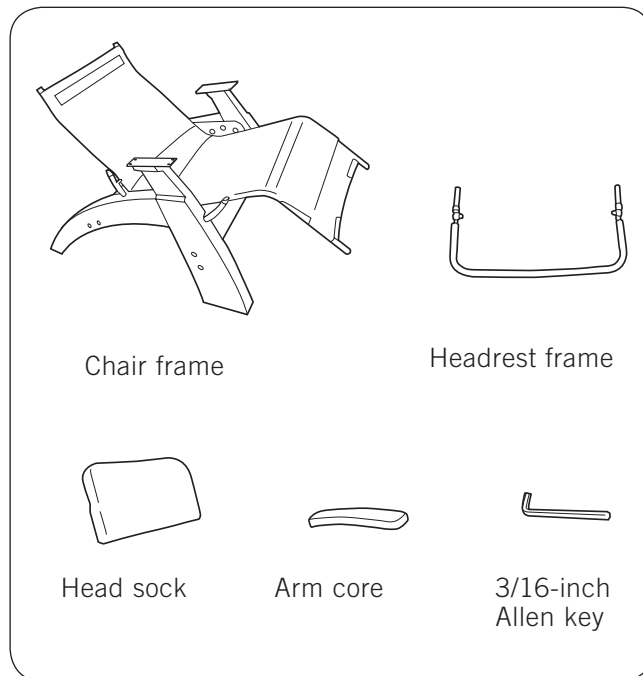
The electric recline system eases the body into a virtually weightless position, as it elevates the legs above the heart and relieves weight from the spine. This remarkable chair relieves the soreness, tension and fatigue caused by the earth's constant pulling, while its fixed-form seating position ensures maximum ergonomic posture at all recline angles.

To ensure that you don't overlook any of your chair's features, and that you use it safely, read this manual carefully. Then sit back, relax, and enjoy!

humantouch.com

get ready

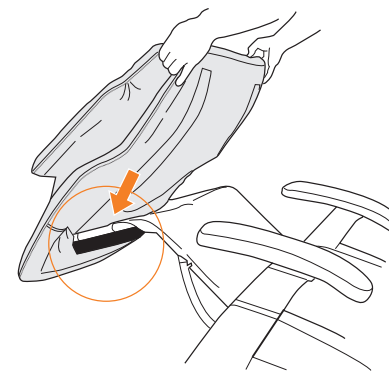
UNPACK THE BOXES



ATTACH THE BODY PAD

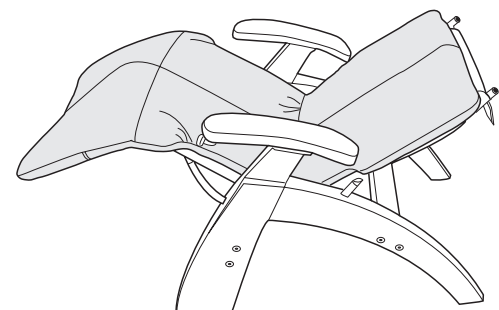
1. Slide the body pad onto the chair frame

Slide the body pad onto the lower part of the chair frame, making sure that the frame slides into the fabric pocket located on the bottom side of the pad.



2. Secure the body pad

Smooth the body pad into place, from the footrest toward the backrest. The pad is automatically secured using the hook and loop fasteners.



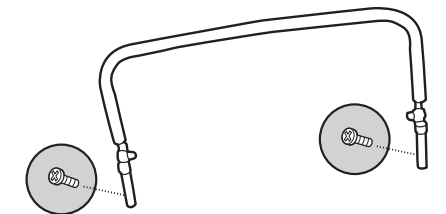
ATTACH THE HEADREST FRAME

1. Raise the chair to an upright position

For your convenience, and to better position the chair for the remaining assembly, plug in the chair, then use the electric recline lever to adjust the chair to an upright position.

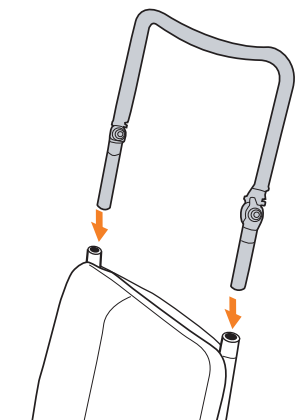
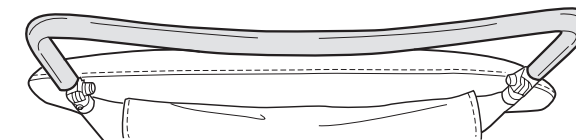
2. Remove the headrest frame screws

Using the Phillips-head screwdriver (provided), remove the two screws from the headrest frame. Retain them for use in step 4.



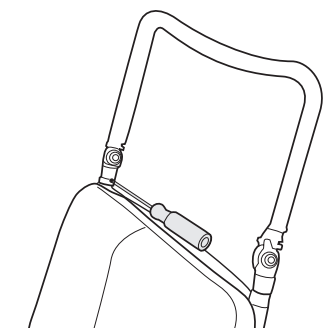
3. Insert the headrest frame into the backrest frame

With the arc of the headrest frame pointing toward the back of the chair, slide the two ends of the headrest frame into the open tube ends at the top of the backrest frame.



4. Replace the headrest frame screws

Using a Phillips-head screwdriver, replace the two headrest frame screws, securing the headrest frame to the backrest frame.



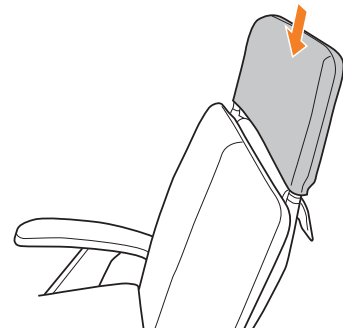
Your Human Touch Perfect Chair requires some simple assembly. Just attach the headrest frame, pads, arm core/caps, and head pillow, and you're done!

get ready

ATTACH THE HEAD PAD

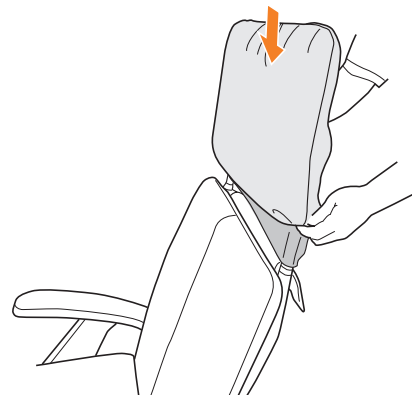
1. Slide the head sock over the headrest frame

Slide the head sock over the headrest frame, as far as it will go. The padded side of the head sock should face the back of the chair.



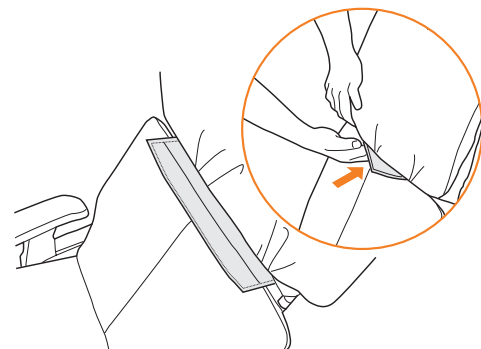
2. Slide the head pad over the headrest frame

Slide the head pad over the headrest frame, ensuring that the frame slides into the fabric pocket located on the bottom side of the pad. Pull the head pad down as far as it will go.



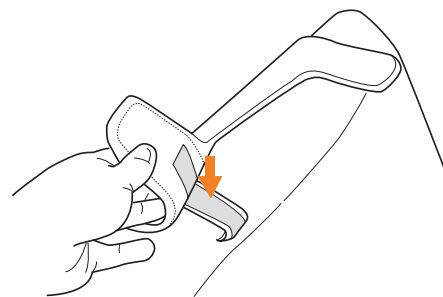
3. Tuck in the body pad flap

From the front of the chair, tuck the flap on the top of the body pad up into the head pad and smooth it flat. The flap is automatically secured to the pad, using the hook and loop fasteners.



4. Attach the head pillow

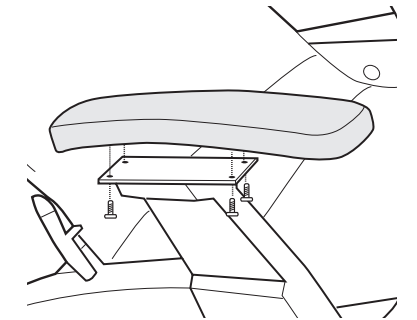
Attach the head pillow straps to the head pad straps using the hook and loop fasteners. Adjust the head pillow height for maximum comfort.



ATTACH THE ARM CORE AND CAPS

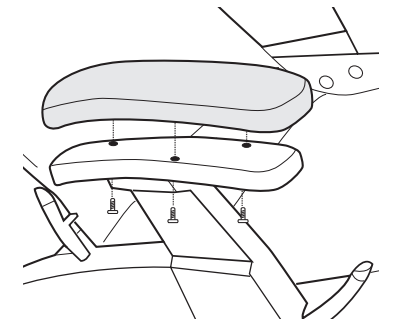
1. Attach the right-hand arm core

Remove the four screws taped to the top of the right-hand arm, then place the arm core on top of the mounting plate. Secure the arm core using the four screws and the Allen key (provided).



2. Attach the arm caps

Remove the three screws taped to the underside of the right-hand arm cap, then place the right-hand arm cap on top of the armrest. From the underside of the armrest, secure the arm cap using the three screws. Repeat these steps to attach the left-hand arm cap.



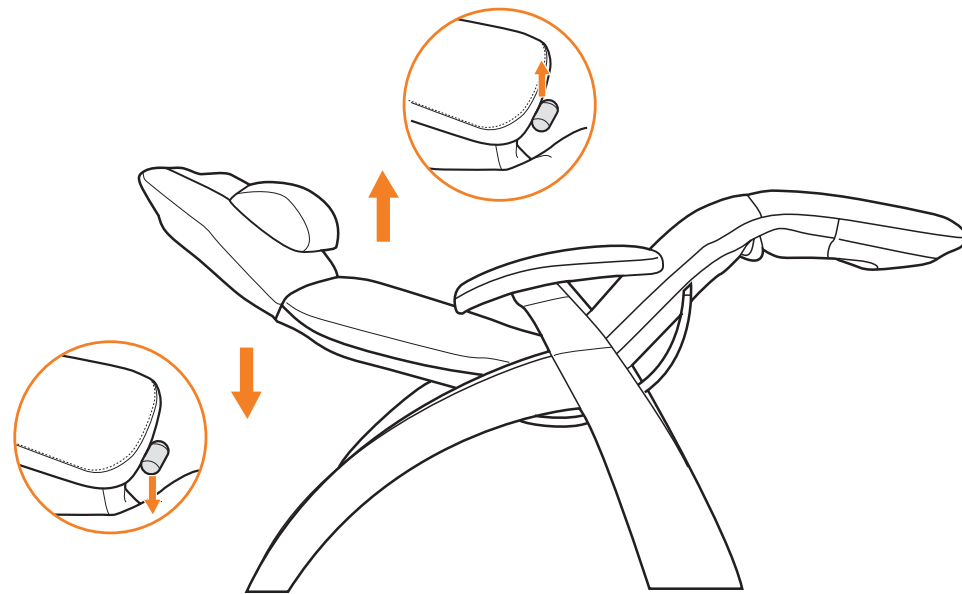
take a seat

Using your Human Touch Perfect Chair is easy. Just take a seat and adjust the chair to the desired position. The Perfect Chair cradles you in zero-gravity comfort, with your feet above your heart—the ultimate neutral-posture position for back and spine relief.

1. Adjust the recline angle

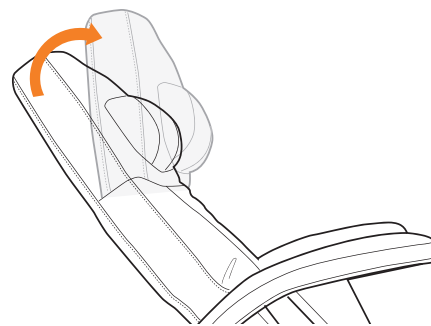
Before adjusting the recline angle, be sure there is nothing located directly behind or beneath the chair. Gently push down on the electric recline lever to recline, or pull up on the lever to adjust the angle forward. Release the lever when you reach the desired angle. The chair automatically stops when you reach the maximum recline or the full upright position.

NOTE: Lean back against the backrest before reclining the chair.



2. Adjust the headrest

While seated, reach up with both hands and grasp both sides of the headrest. You will feel the rigid frame beneath the soft head pad. Grasping the rigid frame, tilt the headrest forward or backward for maximum comfort. The headrest remains in this position until you adjust it again.

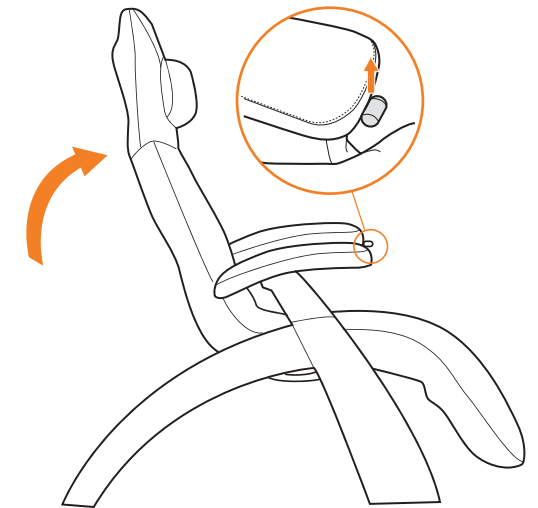


⦿ When adjusting the footrest up and down, you may notice a slight bumping sensation. This is caused by the footrest locking mechanism, and is perfectly normal.

3. Getting out of the perfect chair

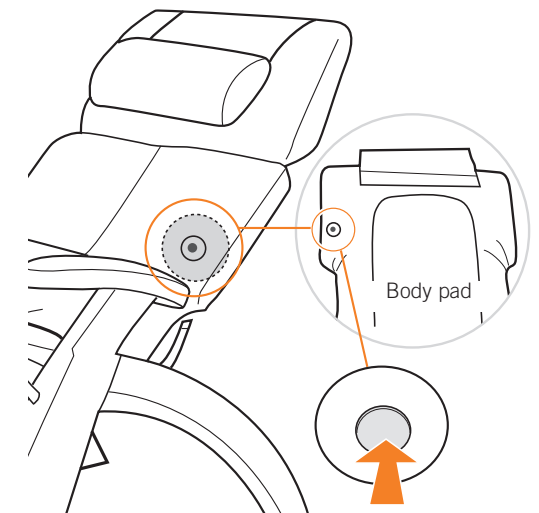
While seated, pull up gently on the electric recline lever until the backrest automatically stops in a full upright position and the footrest automatically stops in a vertical position (the backrest stops before the footrest). Use the arms for support when getting up from the chair.

CAUTION: Do not put any extra pressure on the footrest while returning the chair to an upright position. Do not push on the footrest, or lean against it.



Adjusting body pad thickness

1. To compress the body pad thickness, sit in the chair, lean against the backrest, then push the ball valve on the back of the body pad. When the pad reaches the desired thickness, release the valve.
2. To reinflate the body pad, push the ball valve without applying any pressure to the pad. When the pad reaches the desired thickness, release the valve. It takes approximately ten seconds for the pad to reach its full thickness.



NOTE: If your pad set comes with a separate lumbar pillow instead of built-in lumbar support in the body pad, apply these instructions to the lumbar pillow to inflate or deflate it as desired.

BODY PAD PERFORMANCE NOTES

- You must remove all body weight from the pad when reinflating it.
- If the pad has been compressed for a long period of time, it may take up to one minute to restore it to its full thickness.
- The colder the pad is, the longer it takes to react to form changes.
- Should the ball valve leak, push the black ball in and, with a cotton swab, apply a small amount of Vaseline inside the valve.
- Keep sharp objects away from the pad. The pad contains a precision air-tight bladder which will not function properly if punctured.

care and maintenance

To keep your product working and looking its best, please follow these simple care guidelines.

Cleaning:

1. Be sure to disconnect the power cord from the electrical outlet before cleaning.
2. Do not use benzene, thinner or any other solvents on your chair.
3. Remove dust on the backrest or arm with a vacuum.
4. If the backrest or arms become soiled, wipe with a damp cloth, then a dry cloth.
5. Common upholstery cleaners may be used for tough stains.
6. When cleaning the electric recline lever or power cable area use a dry cloth only.
Never use a damp cloth to clean the electric lever or power switch.

Fabric Care:

To maintain your Human Touch product in optimum condition, dust it frequently and/or vacuum it with a soft brush vacuum extension. Faux Suede products can also be brushed with a suede brush. Wipe with a slightly damp cloth as necessary. For tougher stains on non-leather products, use a mild detergent mixed with water. Leather products should be wiped down occasionally with a leather furniture cleaning solution.



WARNING:

Be sure to test any cleaning solution on a small, inconspicuous part of the product to ensure that the color does not fade prior to using the solution on the entire product surface.

Maintenance and Repair:

1. The mechanics of this product are specially designed and constructed to be maintenance free. No periodic lubrication or servicing is required.
2. Your chair should only be serviced by an authorized service center.

Storage:

1. When not in use for a long period of time, we recommend that the chair be covered, the power cord be coiled and that the unit be placed in an environment free of dust and moisture.
2. Do not store near heat or open flame. Do not leave this product exposed to direct sunlight for long periods of time.
This may cause fading or damage.

Miscellaneous:

1. Foreign objects should not be inserted into any part of the chair.
2. Care should be taken not to overload the unit.

Specifications*

Operating Voltage:	220-240V~ 50/60Hz
Power Consumption:	150 Watts
Chair Size (reclined):	157.5cm L x 81.3cm W x 76.2cm H (62" L x 32" W x 30" H)
Product Weight:	36.74kg (81 Lbs.)
Required recline clearance:	20.32cm (8")
Maximum load weight:	129.27kg (285 Lbs.)

**Specifications are subject to change without prior notice.*

Warranty

For warranty information, please contact your distributor.

If your distributor cannot be reached, contact Human Touch customer service at:
3030 Walnut Ave.,
Long Beach, CA, 90807, USA



Correct Disposal of this product

This marking indicates that this product should not be disposed of with other household wastes throughout the EU. To prevent possible harm to the environment or human health from uncontrolled waste disposal, recycle it responsibly to promote the sustainable reuse of material resources. To return your used device, please use the return and collection systems or contact the retailer where the product was purchased. They can take this product for environmentally safe recycling.

Please send any questions or comments regarding this manual to documentation@humantouch.com