

REPLACING THE BACKREST

To ensure that Human Touch[®] products are repaired in a manner that is fully consistent with the practices used during the manufacturing process, Human Touch requires that all product repairs are performed using only factory-new parts and in accordance with these product repair instructions.

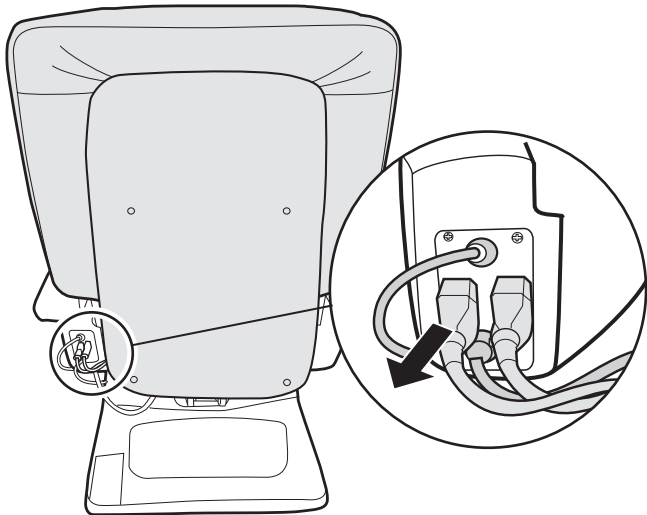
SERVICE LEVEL: 2

Tools Required: 5/32" (4mm) Allen key, Phillips-head screwdriver.

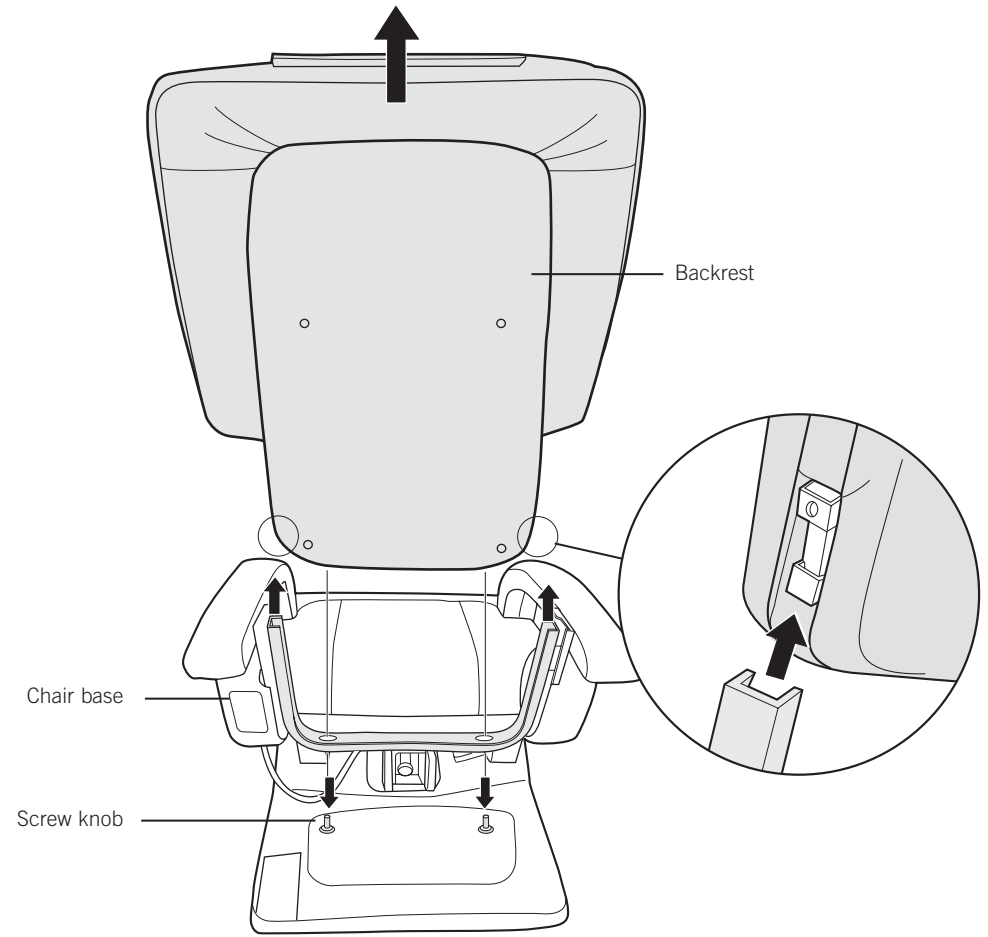
NOTE: SAVE SCREW KNOBS FOR USE DURING REASSEMBLY.

REMOVE THE BACKREST FROM THE CHAIR BASE

1. Disconnect all cables that connect the backrest to the left-hand side of the chair base (Fig.1).
2. Remove the two screw knobs from the bottom of the backrest (Fig.2).
3. Lift backrest off the chair base (Fig.2).



(Fig.1)



(Fig.2)

INSTALL THE BACKREST ONTO THE CHAIR BASE

1. Align the guides on the lower sides of the backrest with the track on the chair base, then slide the backrest firmly onto the chair base (Fig.3).
2. From the bottom of the backrest, install and hand tighten the two screw knobs. Verify that the two screw knobs are installed and tightened before using the chair.
3. Connect all cables that connect the backrest to the left-hand side of the chair base (Fig.4).

