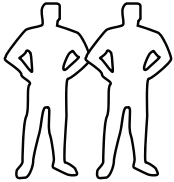


## UNPACKING AND PACKING THE HT-7450 FOR SHIPPING

SERVICE LEVEL: 2



**CAUTION!** You will need at least two people to complete this procedure, as the chair is very heavy. Be sure you have enough people to lift and move the chair, to prevent injury.

**NOTE:** Save all packaging materials - you will need them to package the existing HT-7450 properly for shipping back to Human Touch.

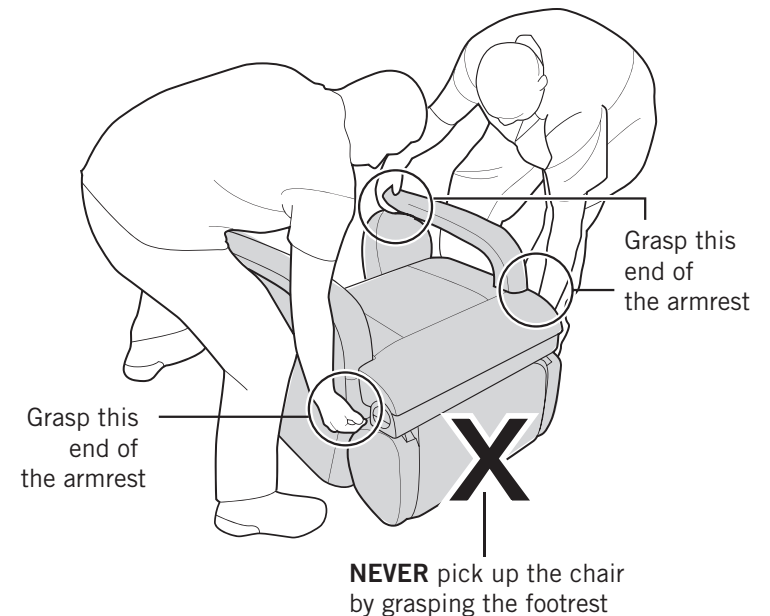
### UNPACKING THE CHAIR

1. Open the top box flaps, then lift up on the flaps to pull the box sides up and off the box base.
2. Remove the rectangular cardboard and foam spacer from the top of the backrest.
3. Remove the cardboard and foam spacer from the front of the footrest.
4. Using two people, lift the backrest off the chair base.
5. Remove the remote control that is taped to the cardboard and foam spacer at the rear of the chair base.
6. Remove the two cardboard and foam spacers from the top of the chair base.
7. Remove the foam spacer from between the footrest and the chair base.
8. Using two people, lift the chair base up and off the box base (Fig.1).



**WARNING: DO NOT LIFT THE CHAIR USING THE FOOTREST.**

9. Remove the protective plastic bag from the chair base, the backrest and the head pillow.



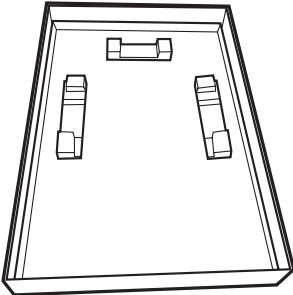
(Fig.1)

# PACKING THE CHAIR FOR SHIPPING

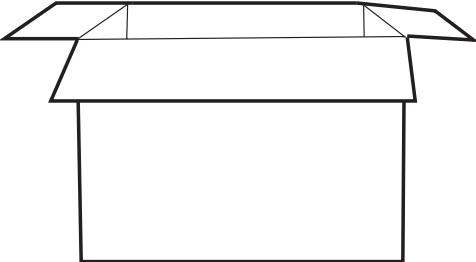
## BEFORE YOU START:

**⚠ CAUTION!** You will need at least two people to complete this procedure, as the chair is very heavy. Be sure you have enough people to lift and move the chair, to prevent injury. You will need the following packaging materials to complete this procedure.

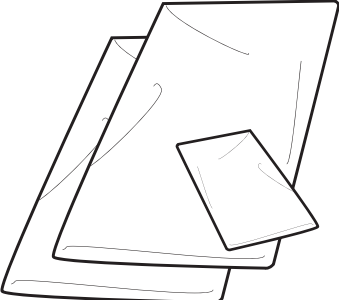
List of components for packing (Fig.2):



Box base (1)



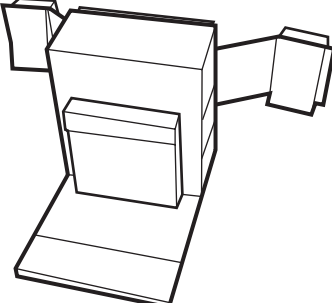
Box shell (1)



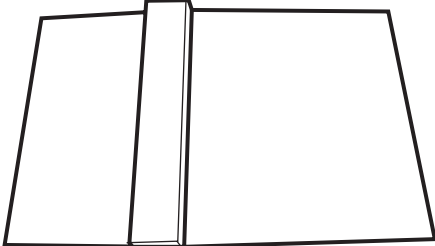
Plastic bag (2)



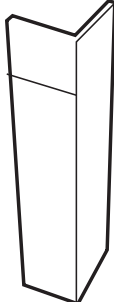
Remote control box (1)



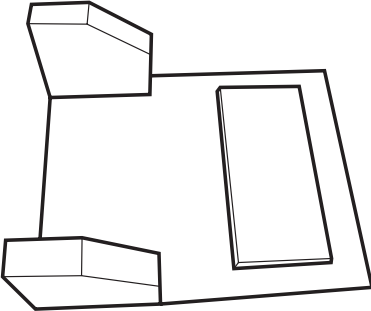
Rear-end foam spacer (1)



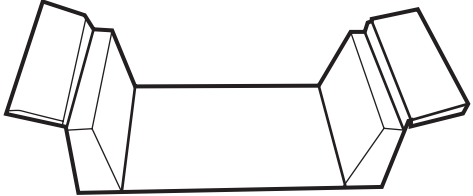
Cardboard and foam spacer (1)  
(Placing top of backrest)



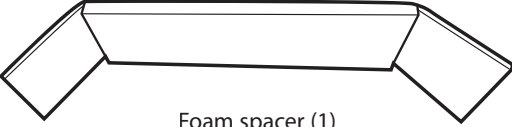
Corner spacer (4)



Front-end foam spacer (1)



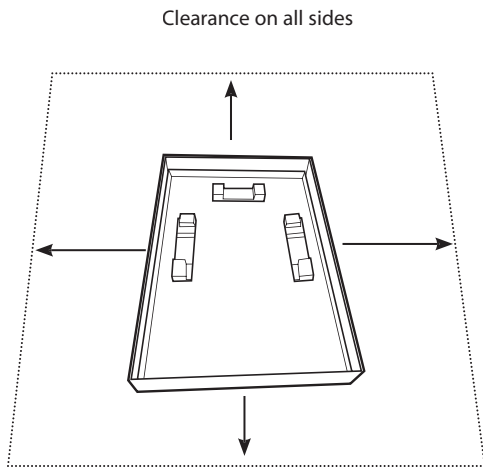
Backrest foam spacer (1)



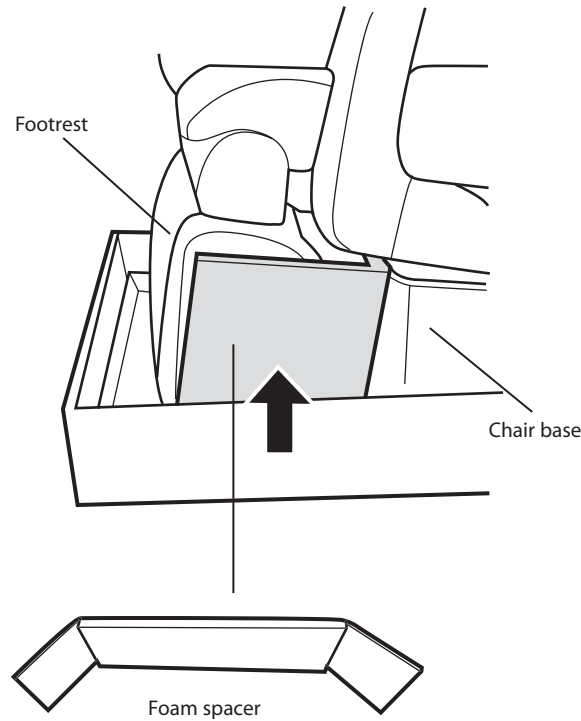
Foam spacer (1)

(Fig.2)

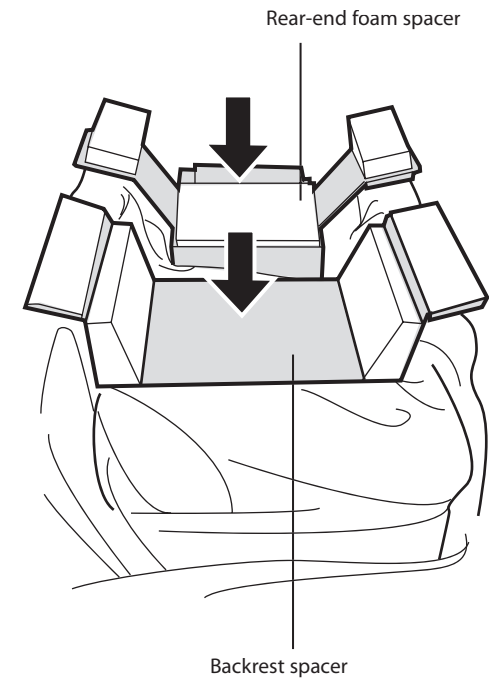
1. Fully retract the foot and calf massager, remove the head pillow, then remove the backrest from the chair base (see Use and Care manual for assembly instructions).
2. Place the box base on the floor with several feet of clearance on all sides (Fig.3).
3. Using two people, gently lift the chair onto the chair base, placing the rear-end of the chair base onto the foam supports and the footrest in front of the supports.
4. Insert the foam spacer between the footrest and the chair base, with the side flaps facing the front of the chair (Fig.4).
5. Cover the chair base with one of the large protective plastic bags.
6. Place the backrest spacer onto the chair base (Fig.5).
7. Place the rear-end foam spacer on the rear of the chair base (Fig.5).



(Fig.3)

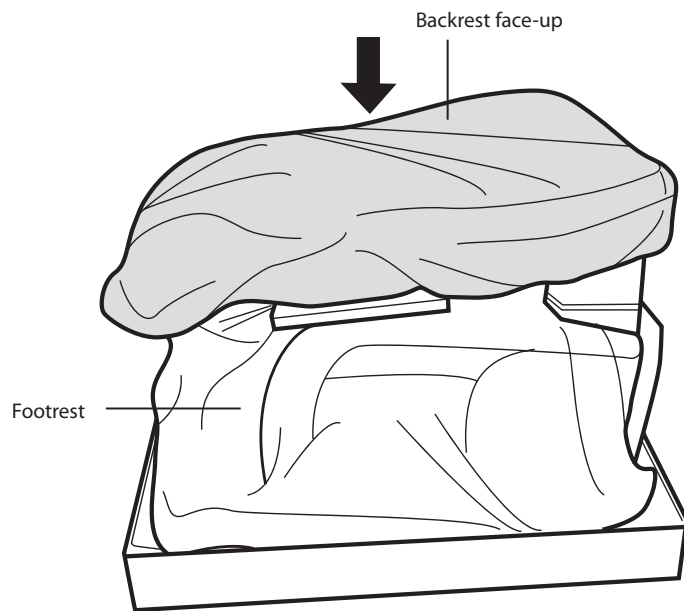


(Fig.4)

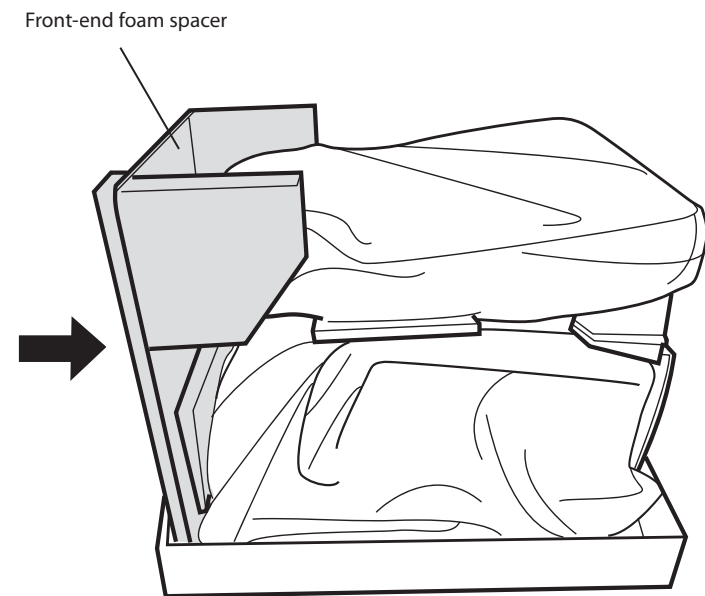


(Fig.5)

8. Insert the backrest into one of the large protective plastic bags.
9. Place the backrest onto the chair base face-up, with the top of the backrest located over the footrest (Fig.6).
10. Insert the head pillow into the small plastic bag and place it on top of the backrest.
11. Place the front-end foam spacer at the front of the chair (Fig. 7).

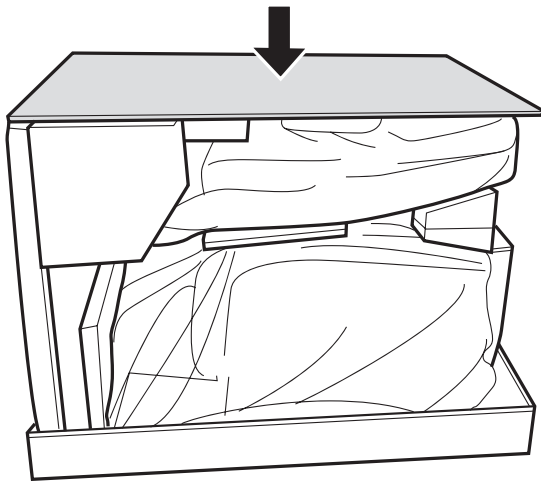


(Fig.6)

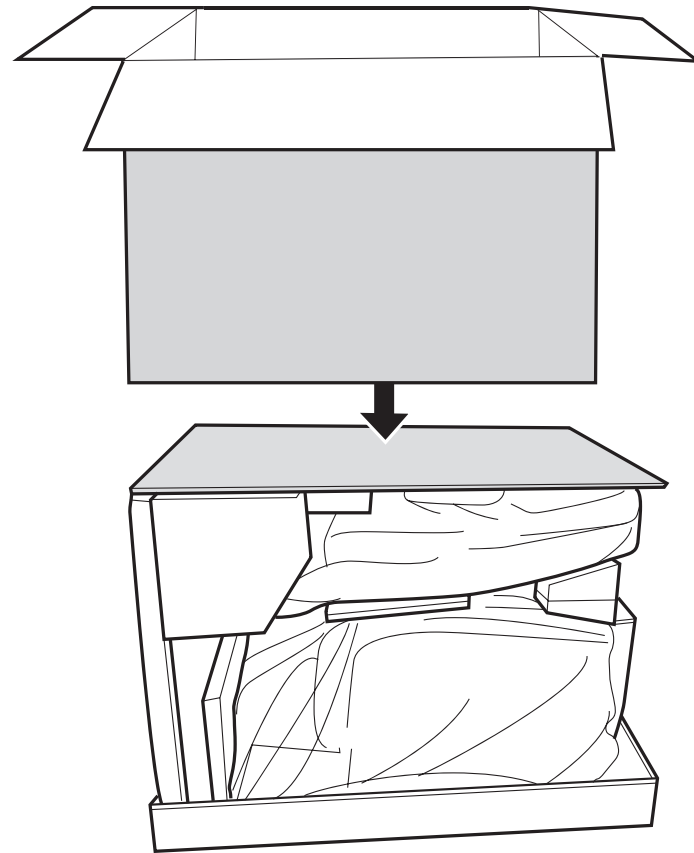


(Fig.7)

12. Place the rectangular cardboard and foam spacer on top of the backrest, with the foam facing down and aligned with the foam on the front-end spacer (Fig.8).
13. Slide the box sides gently over the chair, ensuring that all packaging material stays in place (Fig.9).



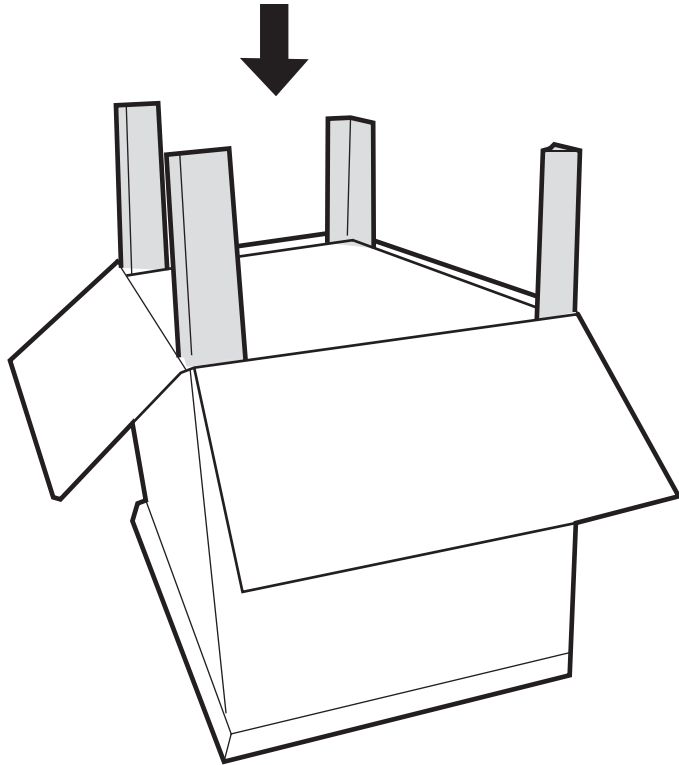
(Fig.8)



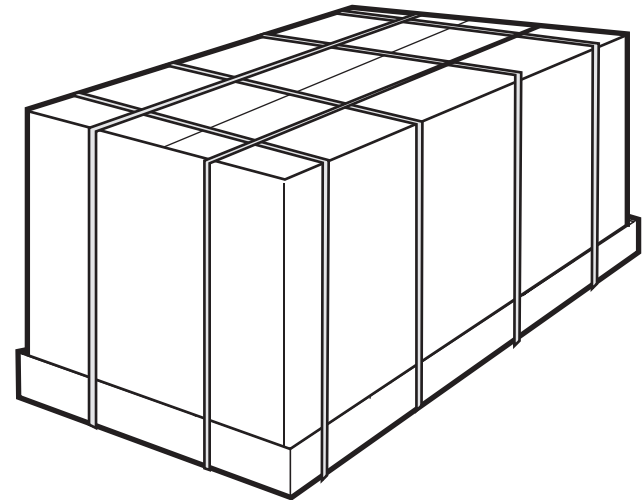
(Fig.9)

14. Insert the corner spacers into each corner (Fig.10).

15. Fold the top flaps down and secure the box using shipping bands (Fig.11).



(Fig.10)



(Fig.11)