

LTIP/UX21511, UX21513

REPLACEMENT LAMP FOR HITACHI® LCD REAR PROJECTION TELEVISION

MODELS 42V515 / 42V710 / 42V715 / 50V500E / 60V500E / 50V500 / 50V500A / 50VX500 / 60VX500 / 60V500A / 50V710 / 50V715 / 60V710 / 60V715

USER INSTRUCTIONS

CAUTION:

- Do not attempt to remove the lamp immediately after use; doing so can cause serious burns. Prior to removing lamp, switch off the power supply to the television and wait approximately 60 minutes or more to allow for complete lamp cooling.
- Avoid touching the glass portion(s) of the lamp with bare hands; fingerprints, dirt and dust may cause early lamp failure and/or image obscurity. It is recommended that gloves be worn when replacing the lamp.
- When transporting the replacement lamp, use the box that is provided to avoid breakage.

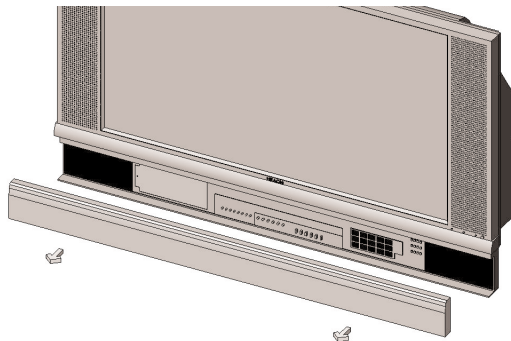
WARNING:

- To avoid overheating and/or fire, ensure that the replacement lamp is mounted securely.
- The lamp contains mercury. Dispose of it in accordance with local environmental regulations. For disposal or recycling information, contact your local authorities or see www.lamprecycle.org.

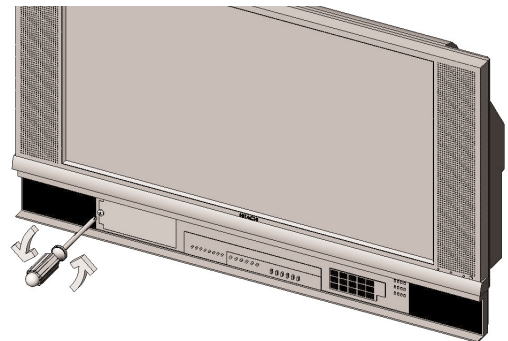
REPLACING THE LAMP



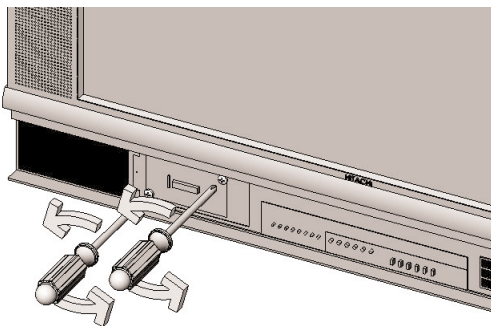
1. Switch off power to the television. Unplug the power cord from the wall outlet. **Allow the television to cool for at least 1 hour.**



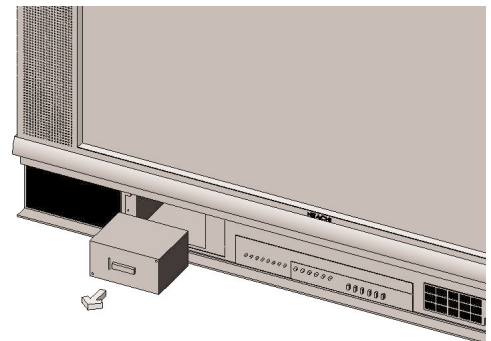
2. Remove the front cover of the television by pulling it outwards until the snap unlatches.



3. Using a Phillips head screwdriver, remove the screw securing the lamp cover; remove the cover.

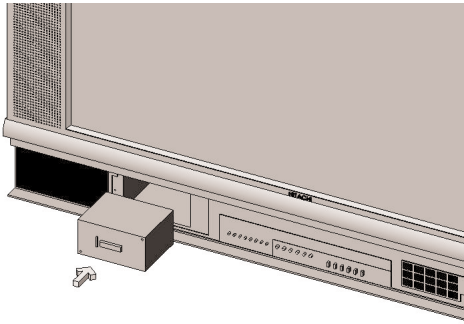


4. Remove the two screws on the lamp unit.



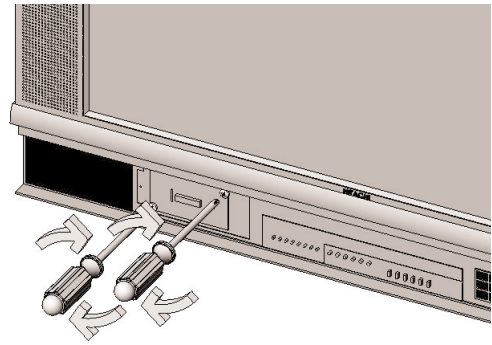
5. Remove the lamp unit from the television by grasping the handle and pulling it out. Dispose of lamp in accordance with local environmental regulations.

Note: To avoid injury, exercise caution when removing the lamp unit and do not place your hand in the lamp storage area.

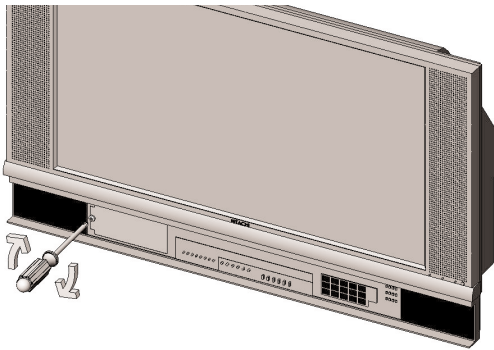


6. Insert the new lamp unit, paying attention to the orientation and direction of insertion. Ensure that the new unit is firmly seated.

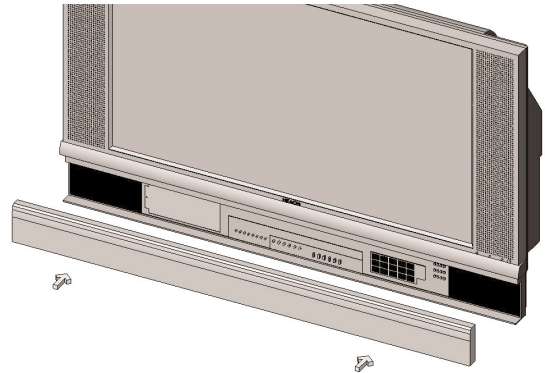
Note: To avoid shortened lamp life and/or reduced picture quality, do not touch the glass portion of the new lamp.



7. Tighten the screws firmly on the new lamp unit, taking care not to overtighten.



8. Replace the lamp cover by re-engaging the two clips; tighten the screw on the lamp cover.



9. Replace the front cover by aligning it on the television and pushing gently until it snaps into place. Plug the power cord back into the wall outlet and turn on the power.