

DESCRIPTION

A pendant mounted downlight suspended by twin aircraft type cables with aluminum reflector for 100 watt incandescent light source. The Chorus series is available with acrylic refractor or aluminum reflector rated for 100 watt incandescent, 26/32/42 watt compact fluorescent and 70 watt ceramic metal halide light sources. Compact fluorescent and ceramic metal halide versions use universal input electronic ballast suitable for 120 to 277 VAC supply. These pendants are suited for general ambient and task lighting for commercial and institutional spaces including retail stores, supermarkets, community centers and schools where a clean contemporary appearance is desired.

DESIGN FEATURES

A...Reflector

Spun aluminum reflector with matte silver finish.

B...Ballast/Socket Housing

Spun aluminum housing supported by a die formed steel frame with Edison medium base (E26) ceramic socket.

C...Mounting Cables

Fixture is suspended by two aircraft type cables. Dual suspension points allow fixture to be easily levelled and aligned within the mounting plane.

D...Power Cable

Three conductor cable is terminated to a quick disconnect type connector that

plugs into a mating connector in the ballast/socket housing. The power supply connector simplifies installation and fixture servicing. The other end of the cable is attached through the canopy with a strain relief allowing full mounting height adjustment.

E...Canopy

Mounting plate and cover of die formed steel. The mounting plate has provisions for two 1/2" trade size fittings, meets code requirements for an electrical junction box and is suitable for attaching to all types of mounting surfaces. Slots are provided for direct mounting to

an octagon or square (4 x 4) trade box. A plaster reducing ring with 2 3/4" trade size mounting center is required when using a 4 x 4 trade box.

F...Glass Diffuser

Optional glass diffuser provides even light distribution and shields fixture interior from insects and dirt. Diffuser attaches to reflector with two cylindrical clamps.

Labels

Meets UL 1598, cULus listed/certified

Catalog #	Type
Project	
Comments	
Prepared by	Date



H2601 CHORUS

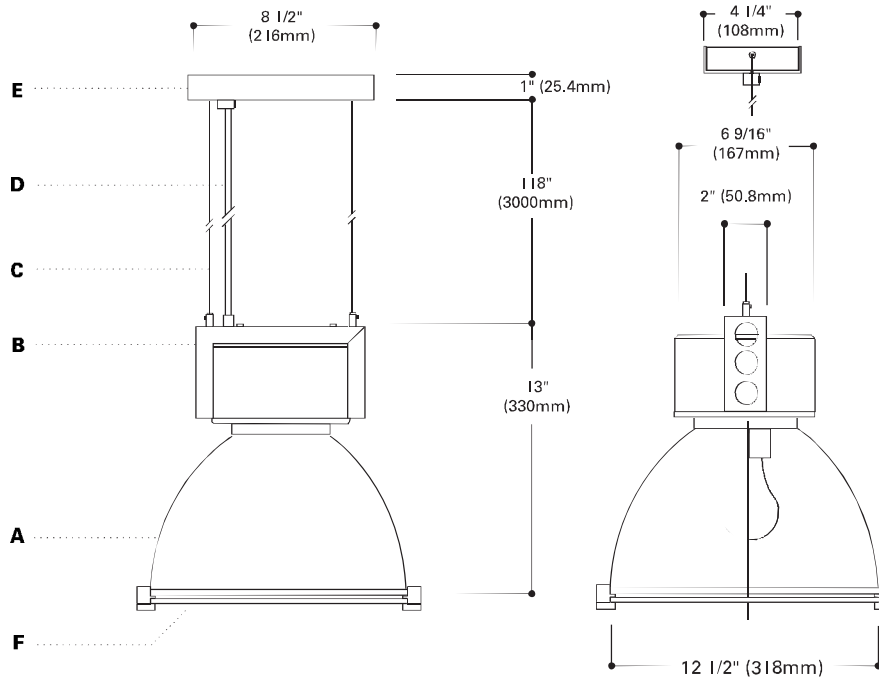
100W

A19

12"

ALUMINUM
REFLECTOR

PENDANT DOWNLIGHT



ORDERING INFORMATION

SAMPLE NUMBER: H2601SL

Pendant

H2601SL=12" Diameter Aluminum Reflector
Pendant Downlight, Silver

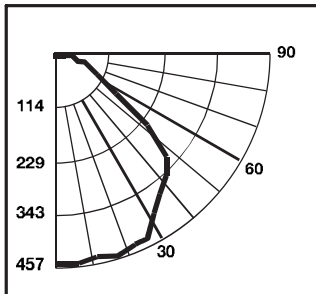
Accessories

Diffuser
GDK12=12" Glass Diffuser Kit

Note: Accessories should be ordered separately.

PHOTOMETRICS

Candlepower Distribution



Test No. 11870.0
H2601
 Lamp=100WA19
 Lumens=1750
 Spacing Criteria=1.3
 Efficiency=60.7%

Candlepower

Deg.	CD	Deg.	CD
0	453	50	248
5	457	55	143
10	457	60	87
15	454	65	59
20	448	70	39
25	437	75	20
30	397	80	10
35	369	85	2
40	350	90	0
45	319		

Average Luminance

Deg.	CD/SQ M
45	6140
55	3388
65	1891
75	1038
85	332

Zonal Lumen Summary

Zone	Lumens	%Lamp	%Luminaire
0-30	370.32	21.2	34.7
0-60	603.07	34.5	56.5
0-90	1067.26	61	100
90-120	0	0	0
90-130	0	0	0
90-150	0	0	0
90-180	0	0	0
0-180	1067.26	61	100

Coefficient of Utilization

rc rw RCR	80%				70%				50%				30%				10%				0%
	70	50	30	10	70	50	30	10	50	30	10	50	30	10	50	30	10	50	30	10	0
0	73	73	73	73	71	71	71	71	68	68	68	65	65	65	62	62	62	61	61	61	61
1	68	65	63	61	66	64	62	60	61	60	58	59	58	57	57	56	55	54	54	54	54
2	63	58	55	52	61	57	54	51	55	52	50	53	51	49	51	50	48	47	47	47	47
3	58	52	48	44	56	51	47	44	50	46	43	48	45	43	46	44	42	41	41	41	41
4	53	47	42	39	52	46	42	38	45	41	38	43	40	37	42	39	37	36	36	36	36
5	49	42	37	34	48	42	37	34	40	36	33	39	36	33	38	35	33	31	31	31	31
6	46	38	33	30	45	38	33	30	37	33	29	36	32	29	35	32	29	28	28	28	28
7	43	35	30	27	42	34	30	27	34	29	26	33	29	26	32	29	26	25	25	25	25
8	40	32	27	24	39	32	27	24	31	27	24	30	26	24	29	26	23	22	22	22	22
9	37	29	25	22	36	29	25	22	28	24	21	28	24	21	27	24	21	20	20	20	20
10	35	27	23	20	34	27	23	20	26	22	20	26	22	19	25	22	19	18	18	18	18

rc=Ceiling reflectance, rw=Wall reflectance, rcr=Room cavity ratio: CU Data Based on 20% Effective Floor Cavity Reflectance.

Note: Specifications and Dimensions subject to change without notice.