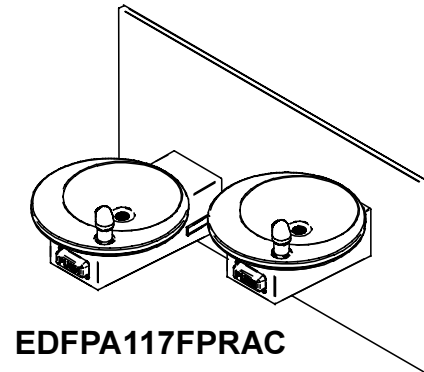
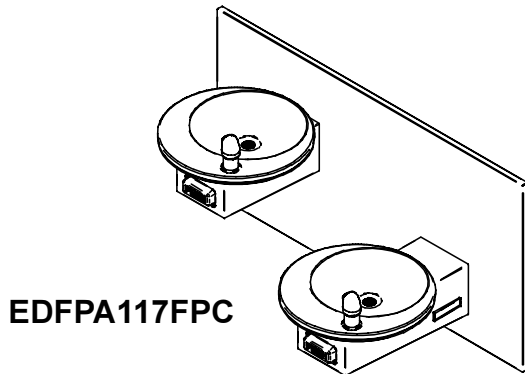


# Installation/Care/Use Manual

## EDFPA117FPC & EDFPA117FPRAC Swirlflo® Freeze Resistant Fountain



### Installer

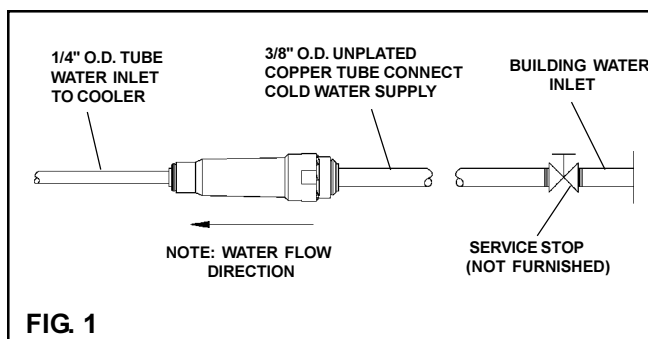
To assure you install this model easily and correctly, PLEASE READ THESE SIMPLE INSTRUCTIONS BEFORE STARTING THE INSTALLATION. CHECK YOUR INSTALLATION FOR COMPLIANCE WITH PLUMBING, ELECTRICAL AND OTHER APPLICABLE CODES. After installation, leave these instructions inside the fountain for future reference. This Freeze Resistant Fountain is shipped in two separate cartons. The second carton contains the Freeze Resistant Package **LK616A** that is installed on an interior heated wall. Refer to the Freeze Resistant Package for the rough-in dimensions for installation.

### IMPORTANT

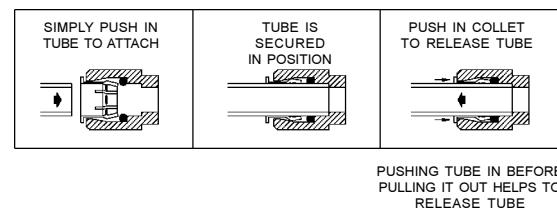
ALL SERVICE TO BE PERFORMED BY AN AUTHORIZED SERVICE PERSON

### IMPORTANT! INSTALLER PLEASE NOTE.

THE GROUNDING OF ELECTRICAL EQUIPMENT SUCH AS TELEPHONE, COMPUTERS, ETC. TO WATER LINES IS A COMMON PROCEDURE. THIS GROUNDING MAY BE IN THE BUILDING OR MAY OCCUR AWAY FROM THE BUILDING. THIS GROUNDING CAN CAUSE ELECTRICAL FEEDBACK INTO A FOUNTAIN, CREATING AN ELECTROLYSIS WHICH CAUSES A METALLIC TASTE OR AN INCREASE IN THE METAL CONTENT OF THE WATER. THIS CONDITION IS AVOIDABLE BY USING THE PROPER MATERIALS AS INDICATED. ANY DRAIN FITTINGS PROVIDED BY THE INSTALLER SHOULD BE MADE OF PLASTIC TO ELECTRICALLY ISOLATE THE FOUNTAIN FROM THE BUILDING PLUMBING SYSTEM.



### OPERATION OF QUICK CONNECT FITTINGS



### EDFPA117FPC ROUGH-IN

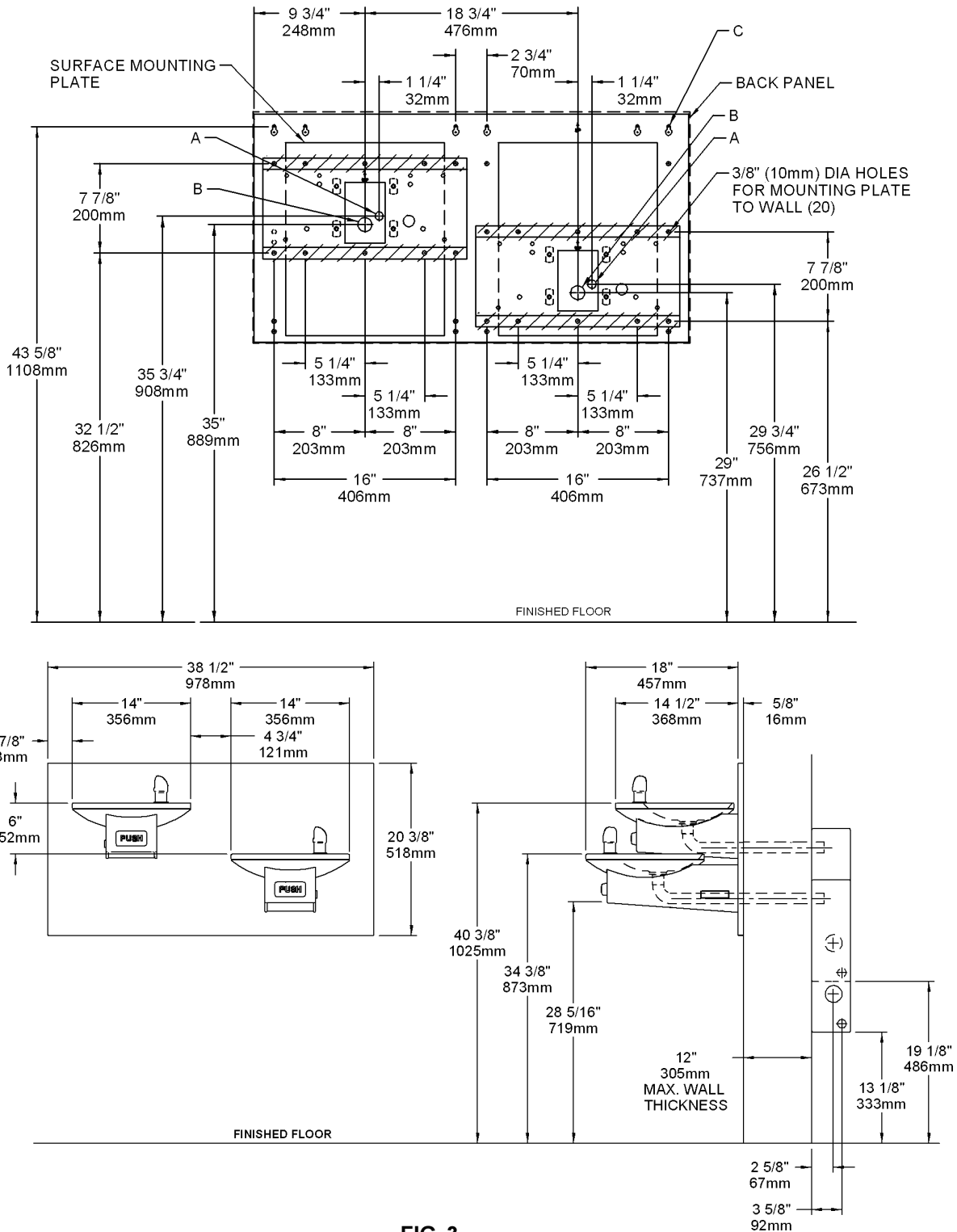


FIG. 3

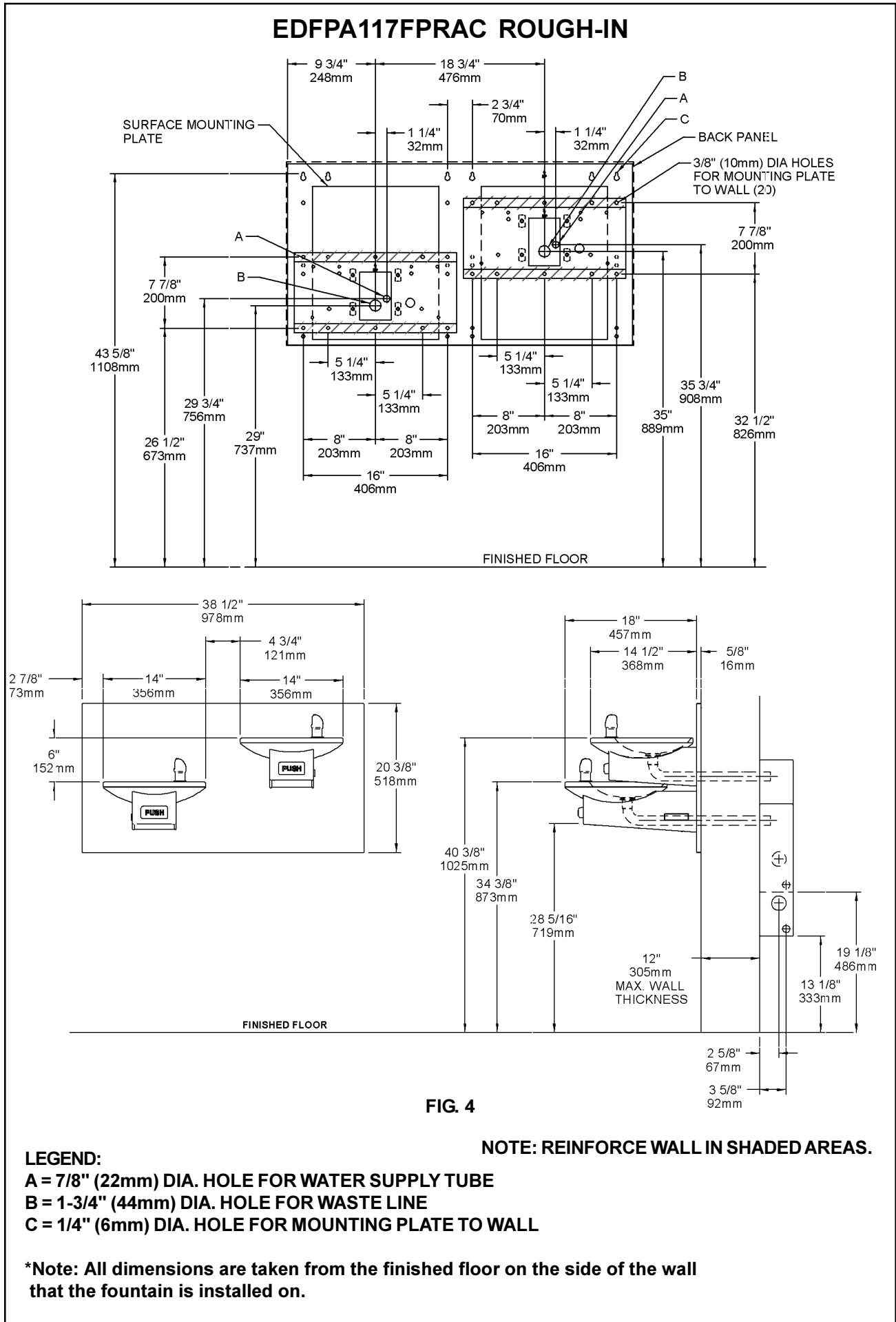
NOTE: REINFORCE WALL IN SHADED AREAS.

LEGEND:

- A = 7/8" (22mm) DIA. HOLE FOR WATER SUPPLY TUBE
- B = 1-3/4" (44mm) DIA. HOLE FOR WASTE LINE
- C = 1/4" (6mm) DIA. HOLE FOR MOUNTING PLATE TO WALL

\*Note: All dimensions are taken from the finished floor on the side of the wall that the fountain is installed on.

### EDFPA117FPRAC ROUGH-IN



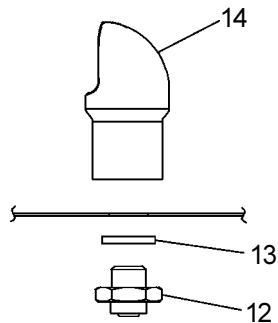
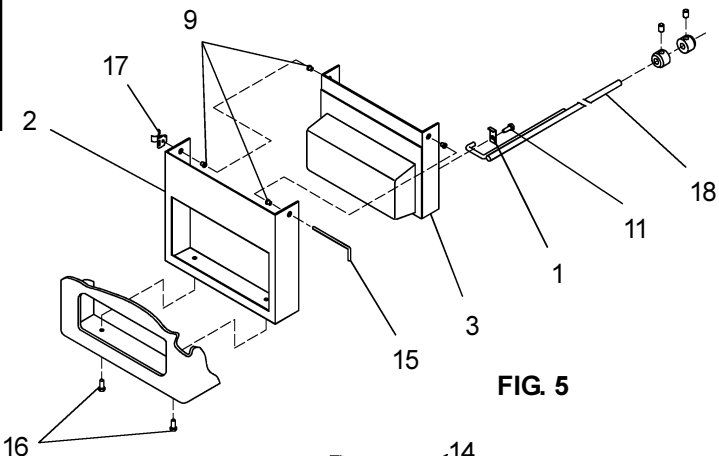
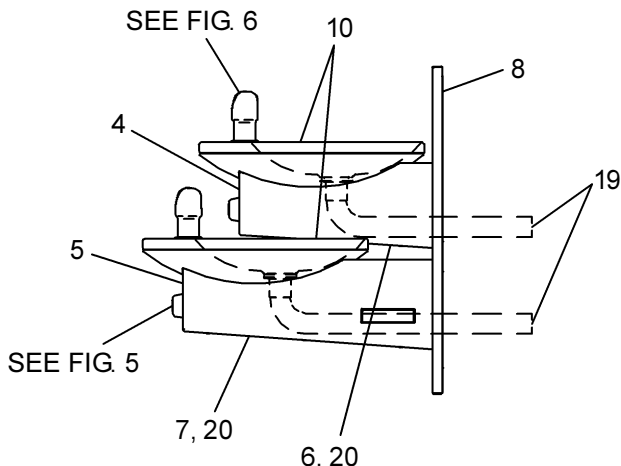
EDFPA117FPC, EDFPA117FPRAC

PARTS LIST		
ITEM NO.	PART NO.	DESCRIPTION
1	21705C	CLIP-PUSH ROD
2	28322C	BRACKET-PUSH BAR MTG.
3	21810C	PUSH BAR ASSY
4	21822C	FTN BODY&SHELL EDFP110C
5	21823C	FTN BODY&SHELL EDFP114C
6	21845C	COVER PLATE EDFP110C
7	21846C	COVER PLATE EDFP114C
8	28227C	BACK PANEL EDFPA117FRC
	28229C	BACK PANEL EDFPA117FPRAC
9	50198C	BUSHING-SNAP
10	55001026	BASIN
11	70002C	SCREW-#10 X .50 HHSM
12	15009C	NIPPLE ASSEMBLY
13	100322740560	GASKET
14	45392C	BUBBLER
15	70410C	ROD-PIVOT
16	70426C	SCREW #8-32 X .25 THMS
17	75555C	CLIP - .125 STUD LOCK
18	*75559C	PUSH ROD ASSY
19	*72000833	WASTE ARM ASSEMBLY
20	75570C	SCREW-#10 X .50 PINNED TORX
NS	56092C	POLY TUBING (CUT TO LENGTH)
NS	75520C	BIT-PINNED TORX T-25

\* PARTS ARE SUPPLIED WITH FREEZE RESISTANT BOX

**INSTALLATION INSTRUCTIONS**

- 1. Wall** should already be framed for the fountain using the positioning dimensions shown in Figure 3 & 4. Shown dimensions pertain to installation location (framing must support up to 300 lbs. weight). These dimensions are required for compliance with ANSI Standard A117.1/ADA requirements.
- 2. Install back panel.** Place the upper edge of the panel above mounting plate on the wall. Slide the panel down until it engages the mounting plate. Be sure back panel is firmly engaged before releasing it.
- 3. Remove bottom covers** from fountains and save the screws. Assemble push rods to fountains. See Fig. 5. (Push rods provided with freeze-resistant boxes).
- 4. Secure the fountains** to the wall. Install the fountains to the back panel using (2) bolts and washers (provided) per each fountain. Next secure the fountain bodies to the back panel using (4) bolts and washers (provided) per each fountain. Tighten securely.
- 5. Attach drain tubes** (supplied with freeze-resistant box) to fountains and cut to required length using freeze resistant box as a guide.
- 6. Install freeze-resistant box** - see box instructions.
- 7. Install a service stop** (not provided) and make water supply connection from the stop to the strainers in the freeze-resistant box.
- 8. Connect fountain water line** to freeze-resistant box - see box instructions. Replace bottom covers.



FOR PARTS, CONTACT YOUR LOCAL DISTRIBUTOR OR CALL 1.800.323.0620  
 ELKAY MANUFACTURING COMPANY • 2222 CAMDEN COURT • OAK BROOK, IL 60523 • 630.574.8484