

ELKAY[®]

SPECIFICATIONS

Celebrity[®] Double Bowl Sink and Tray Models STCR3322L and STCR3322R

GENERAL

Good quality Celebrity double bowl sink is seamlessly drawn of #20 gauge, type 304 (18-8) nickel bearing stainless steel. Self-rimming. Exclusive trimmed corner design.

DESIGN FEATURES

Bowl Depths: 7" (standard), 10-1/4" (deep bowl).

Coved Corners: 3" vertical radius and 2-1/4" horizontal radius.
Bowl and Faucet Deck Recess: 1/4" below outside edge of sink.

Finish: Exposed surfaces are machine polished to a highlighted finish.

Underside: Fully undercoated to prevent condensation and deaden sound.

OTHER

Drain opening: 3-1/2".

Faucet Holes: Available with 1, 2, MR2, 3, 4, or 5, 1-1/2" diameter faucet holes 4" centers.

NOTE: Unless otherwise specified, sink is furnished with 3 faucet holes as shown.

NOTE: Does not comply with ANSI Standard A112.19.3M.

OPTIONAL ACCESSORIES

Cutting Boards: CB1516.

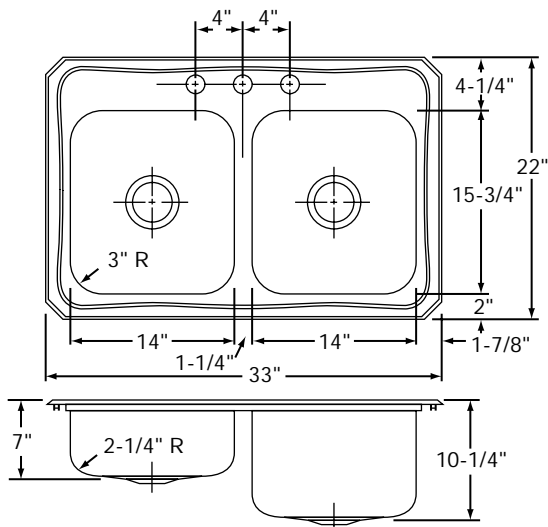
Rinsing Basket: LKRB1611CR or LKERBSS.

Bottom Grid: LKBG1416CR.

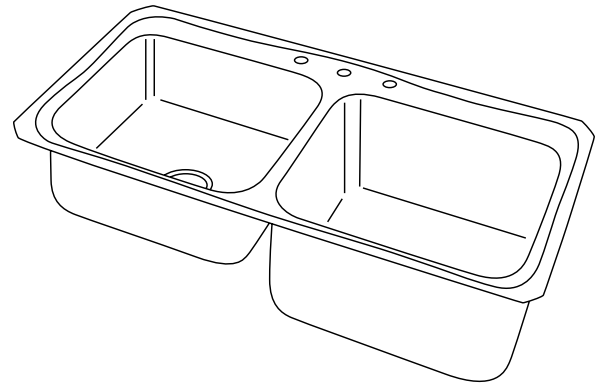
SINK DIMENSIONS (INCHES)*

Model Number	Overall		Inside Left Bowl			Inside Right Bowl			Cutout in Countertop (1 1/2" Radius Corners)		Minimum Cabinet Size	Ship. Wt. Lbs.
	L	W	L	W	D	L	W	D	L	W		
STCR3322L	33	22	14	15 3/4	10 1/4	14	15 3/4	7	32 3/8	21 3/8	36	18
STCR3322R	33	22	14	15 3/4	7	14	15 3/4	10 1/4	32 3/8	21 3/8	36	18

*Length is left to right. Width is front to back.

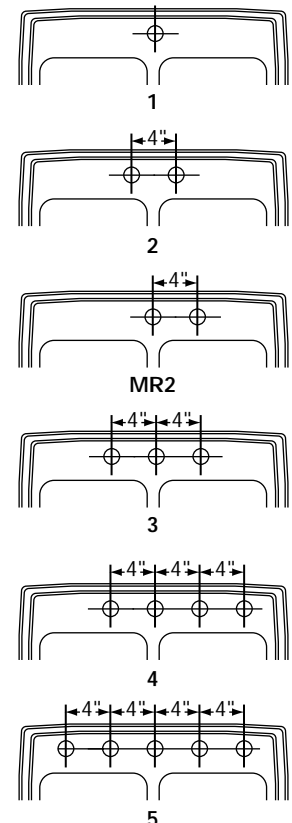


Model STCR3322R3 Illustrated



Model STCR3322R3

HOLE DRILLING CONFIGURATIONS



ALL DIMENSIONS IN INCHES, TO CONVERT TO MILLIMETERS MULTIPLY BY 25.4.

In keeping with our policy of continuing product improvement, Elkay reserves the right to change product specifications without notice.

This specification describes an Elkay product with design, quality and functional benefits to the user. When making a comparison of other producers' offerings, be certain these features are not overlooked.

Elkay

www.elkayusa.com

2222 Camden Court
Oak Brook, IL 60523

Printed in U.S.A.
©2003 Elkay

(Rev. 9/03) 1-78E