

MN Type Scullery Sinks Double Compartment



SPECIFICATIONS IN INCHES

GENERAL

Model No. MN _____ #14 gauge, type 304 stainless steel double compartment sink. All welded construction with 1-1/4" diameter rolled rims. Full length 15" high backsplash, 2" thick. Ends, partitions, and integral drainboards welded. Square corner welded construction. Drainboards rigidly supported by angle brace welded to sink body. Exposed surfaces polished to a satin finish. Sink supported on #14 gauge stainless steel formed detachable angle frame and legs with adjusting bolt for anchoring and leveling. These sinks do NOT meet NSF standards. Includes (1) LK80 soap dish.

● Last item in each group is custom. Fill in dimensions. Standard faucet location unless otherwise specified.

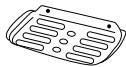
SPECIFIED FITTINGS:

SUPPLY:

DRAIN:

FURNISHED WITH:

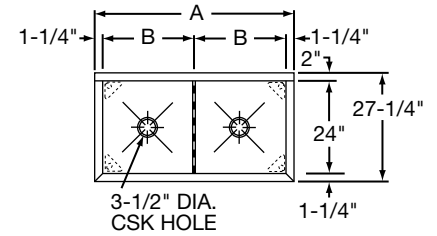
(1) LK80 Soap Dish is provided with sink.



(CHECK MODEL SPECIFIED):

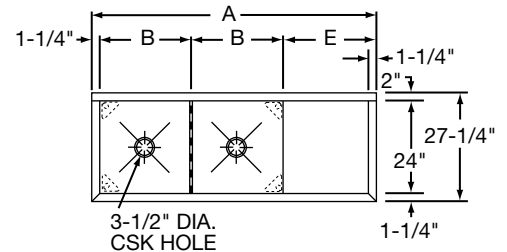
NO DRAINBOARD

Model Number	Dimensions			
	A	B	C	D
MN6035	62 1/2	30	16	20
● MNC2				



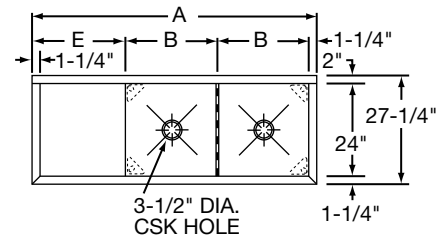
RIGHT DRAINBOARD

Model Number	Dimensions				
	A	B	C	D	E
● MNC2L					



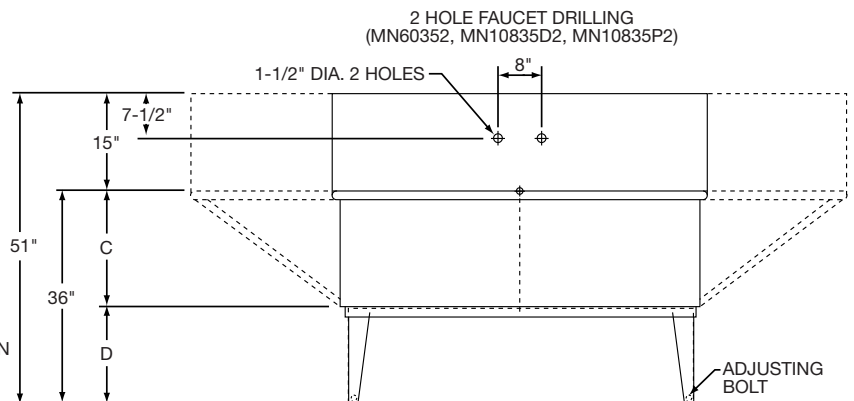
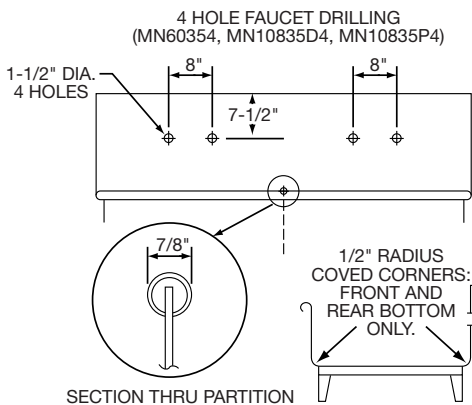
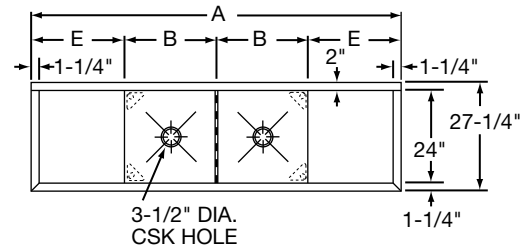
LEFT DRAINBOARD

Model Number	Dimensions				
	A	B	C	D	E
● MNC2R					



RIGHT & LEFT DRAINBOARD

Model Number	Dimensions				
	A	B	C	D	E
MN10835D	108	30	16	20	24
MN10835P	108	30	20	16	24
● MNC2LR					



ALL DIMENSIONS IN INCHES.
SEE OTHER SIDE FOR DIMENSIONS IN MILLIMETERS.

FAUCET DRILLINGS AND LOCATION STANDARD AS ILLUSTRATED. (NON-STANDARD FAUCET LOCATIONS ARE AVAILABLE. SPECIFY ON DRAWING ABOVE.)

SPECIFICATIONS IN MILLIMETERS

GENERAL

Model No. MN _____ #14 gauge, type 304 stainless steel double compartment sink. All welded construction with 32mm diameter rolled rims. Full length 381mm high backsplash, 51mm thick. Ends, partitions, and integral drainboards welded. Square corner welded construction. Drainboards rigidly supported by angle brace welded to sink body. Exposed surfaces polished to a satin finish. Sink supported on #14 gauge stainless steel formed detachable angle frame and legs with adjusting bolt for anchoring and leveling. These sinks do NOT meet NSF standards. Includes (1) LK80 soap dish.

● Last item in each group is custom. Fill in dimensions. Standard faucet location unless otherwise specified.

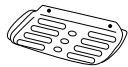
SPECIFIED FITTINGS:

SUPPLY:

DRAIN:

FURNISHED WITH:

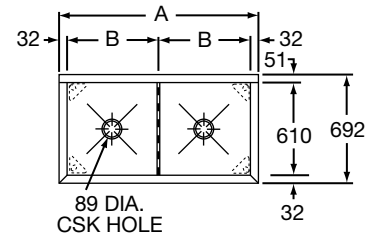
(1) LK80 Soap Dish is provided with sink.



(CHECK MODEL SPECIFIED):

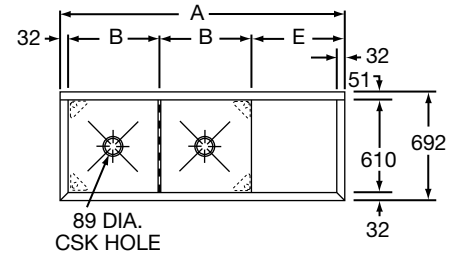
NO DRAINBOARD

Model Number	Dimensions			
	A	B	C	D
MN6035	1588	762	406	508
● MNC2				



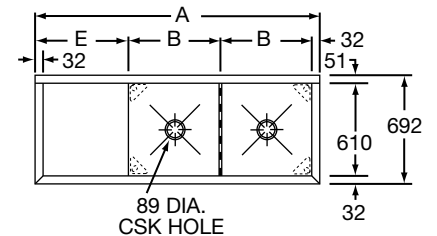
RIGHT DRAINBOARD

Model Number	Dimensions				
	A	B	C	D	E
● MNC2L					



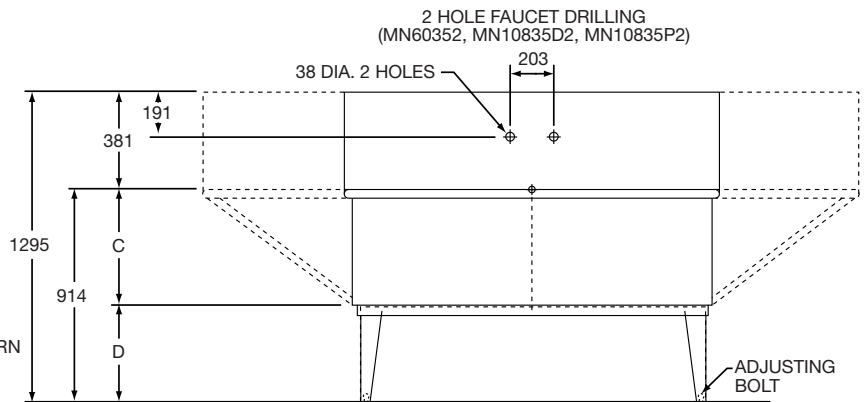
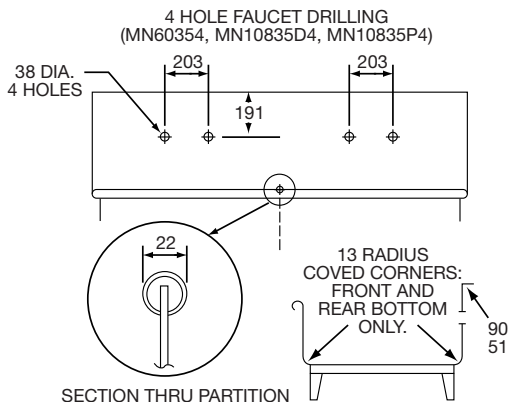
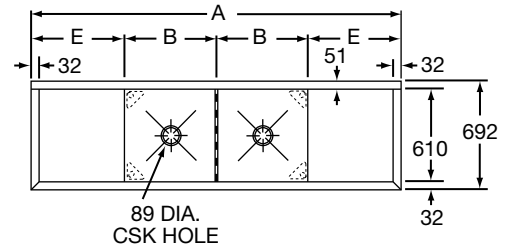
LEFT DRAINBOARD

Model Number	Dimensions				
	A	B	C	D	E
● MNC2R					



RIGHT & LEFT DRAINBOARD

Model Number	Dimensions				
	A	B	C	D	E
MN10835D	2743	762	406	508	610
MN10835P	2743	762	508	406	610
● MNC2LR					



ALL DIMENSIONS IN MILLIMETERS.
SEE OTHER SIDE FOR DIMENSIONS IN INCHES.

FAUCET DRILLINGS AND LOCATION STANDARD AS ILLUSTRATED. (NON-STANDARD FAUCET LOCATIONS ARE AVAILABLE. SPECIFY ON DRAWING ABOVE.)