

Rigidbilt® Double Compartment Scullery Sink
1³/₄" (44mm) Radius Coved
Corner Construction



SPECIFICATIONS

GENERAL

Model RNSF _____ #16 gauge, type 304, stainless steel scullery sink. Large die-drawn compartments 18" (457mm) x 24" (610mm) x 13-1/2" (343mm) deep. Seamless drawn 1-3/4" (44mm) radius coved corner construction. Full length 8" (203mm) high backsplash with 45° sloped top. 1-1/2" (38mm) wide inward sloping top channel rims. Steel channel reinforced drainboards have a fan-shaped pitch for drainage. Compartments with center outlets pitched to drain. Underside of drainboards and compartments are undercoated to provide a sound and condensation barrier. All exposed surfaces polished to a satin finish. Rigidbilt sinks carry the NSF International Certification.

Sinks supported on (4) LK251 stainless steel, 1-5/8" (41mm) O.D. tubular legs. #16 gauge wall thickness. Adjustable bullet shaped feet.

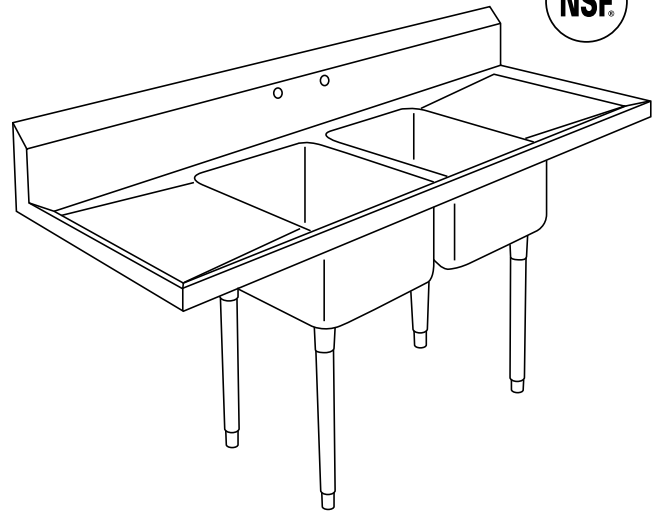
FURNISHED WITH:

SUPPORT LEGS: LK251. (Four) Stainless steel tubular legs, 1-5/8" (41mm) O.D. Adjustable bullet feet.

SPECIFIED FITTINGS:

SUPPLY:

DRAIN:



Model RNSF8238LR2
 (Faucet Drillings and Location as Illustrated)

(CHECK MODEL SPECIFIED):

Model Number	A		B		C	
	in	mm	in	mm	in	mm
RNSF8238	44	1118	18	457	N/A	N/A
RNSF8238L	60 ¹ / ₄	1530	18	457	19 ¹ / ₂	495
RNSF8238R	60 ¹ / ₄	1530	18	457	19 ¹ / ₂	495
RNSF8238LR	77 ¹ / ₄	1962	18	457	19 ¹ / ₂	495

Available only in sizes shown above.

Shaded area is model carried in stock with standard faucet location.

