

ELKAY[®]

SPECIFICATIONS

Pacemaker[®] Double Bowl Sink with Quick-Clip[®] Model PSRQ Series

GENERAL

Fine quality sink seamlessly drawn of #20 gauge, type 304 (18-8) nickel bearing stainless steel. Self-rimming.

DESIGN FEATURES

Bowl Depth: 7-1/8" (PSRQ3319 and PSRQ4322), 7-1/2" (PSRQ3320), 7-3/4" (PSRQ3322).

Coved Corners: 1-3/4" vertical and horizontal radius.

Bowl and Faucet Deck Recess: 7/16" (PSRQ3322); 3/16" (all others) below outside edge of sink.

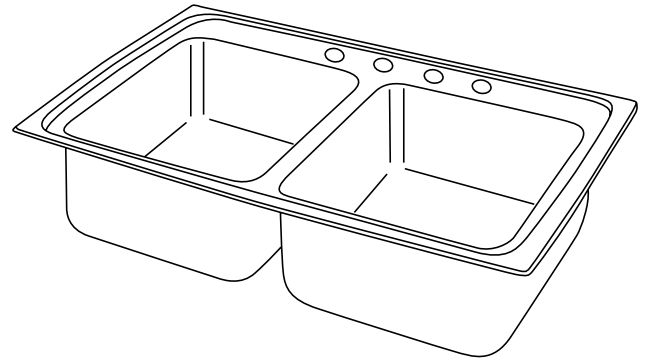
Finish: Exposed surfaces are hand blended to a lustrous high-lighted satin finish.

Underside: Fully undercoated to dampen sound and prevent condensation. PSRQ3321 and PSRQ3322 are fully protected by heavy duty Sound Guard[®] undercoating.

OTHER

Drain Opening: 3-1/2".

NOTE: Unless otherwise specified, sink is furnished with 4 faucet holes as shown.

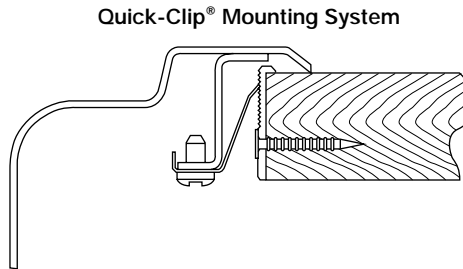
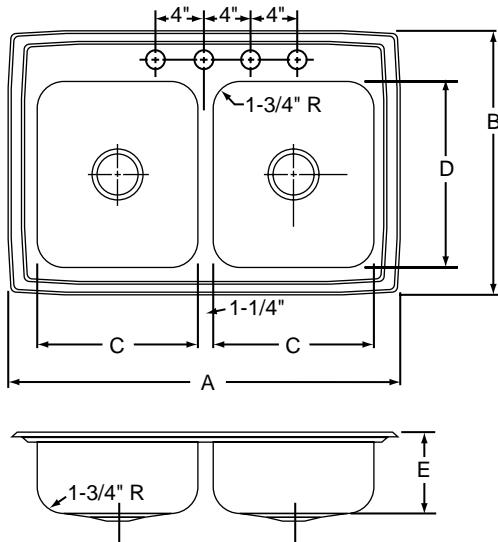


Model PSRQ33224

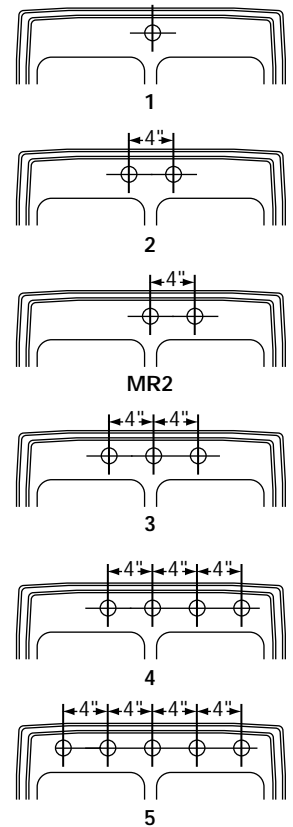
SINK DIMENSIONS (INCHES)*

Model Number	Overall		Inside Each Bowl			Cutout in Countertop (1 1/2" Radius Corners)		No. of 1 1/2" Dia. Faucet Holes 4" Centers	Minimum Cabinet Size	Ship. Wt. Lbs.
	L	W	L	W	D	L	W			
	A	B	C	D	E	L	W			
PSRQ3319	33	19 1/2	14	14	7 1/8	32 3/8	18 7/8	1, 2, MR2, 3, 4 or 5	36	17
PSRQ3321	33	21 1/4	13 1/2	16	7 1/2	32 3/8	20 5/8	1, 2, MR2, 3, 4 or 5	36	20
PSRQ3322	33	22	13 1/2	16	7 3/4	32 3/8	21 3/8	1, 2, MR2, 3, 4 or 5	36	20
PSRQ4322	43	22	19	16	7 1/8	42 3/8	21 3/8	1, 2, MR2, 3, 4 or 5	48	21

*Length is left to right. Width is front to back.



HOLE DRILLING CONFIGURATIONS



ALL DIMENSIONS IN INCHES, TO CONVERT TO MILLIMETERS MULTIPLY BY 25.4.

In keeping with our policy of continuing product improvement, Elkay reserves the right to change product specifications without notice.

This specification describes an Elkay product with design, quality and functional benefits to the user. When making a comparison of other producers' offerings, be certain these features are not overlooked.