

Lustertone® Sink Tops
Single Bowl – Single Drainboard with
Integral Backsplash
Models S4819L and S4819R



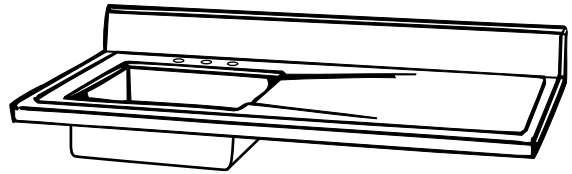
SPECIFICATIONS

GENERAL

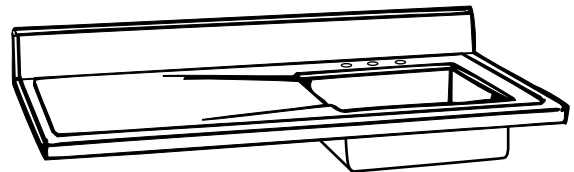
#18 gauge, type 304 stainless steel sinktop with integral bowl, fan pitched integral drainboard and backsplash. All exposed surfaces hand-blended to a lustrous highlighted Lustertone® satin finish. Designed for use with standard size base cabinet and dishwasher sink base. (Custom sizes are available by contacting an Elkay Representative.)

DESIGN FEATURES

- Bowl Depth: 7-1/2".
- Coved Corners: 1-3/4" radius.
- Sinktop Thickness: 1-1/2".
- Backsplash: 4" high, full length, 1/4" coved corner.
- Outside edge of sink and drainboards have a 5/32" raised rim.
- Drain Opening: 3-1/2".
- Underside is fully undercoated.
- Each unit has wood mounting strips attached to underside for fastening top to cabinet.
- Stocked in three or four faucet holes only. Other hole drilling locations are available made to order.
- Suffix "L" (left) or "R" (right) denotes sink bowls are to the left or right of drainboard.



Model S4819L3



Model S4819R3



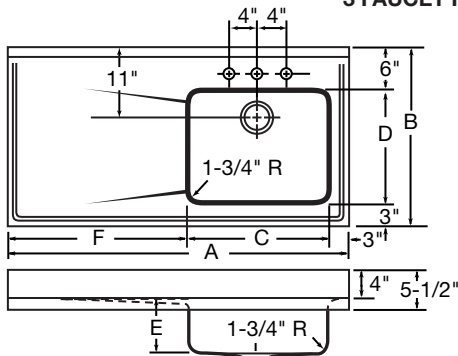
These sinks are listed by the International Association of Plumbing and Mechanical Officials as meeting the requirements of the Uniform Plumbing Code.

SINK DIMENSIONS (INCHES)*

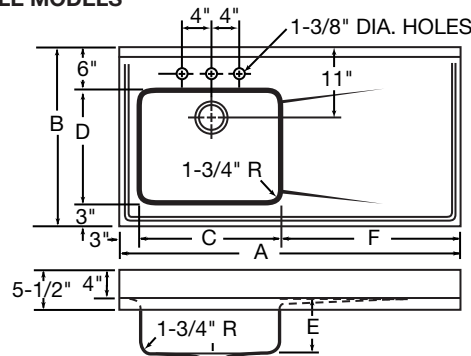
Model Number	Overall		Inside Each Bowl			Drainboard		Drain Location	Ship. Wt. Lbs.
	L	W	L	W	D	L	Location		
S4819L	48	25	19	16	7½	26	Right	Rear Center	50
S4819R	48	25	19	16	7½	26	Left	Rear Center	50

*Length is left to right. Width is front to back.

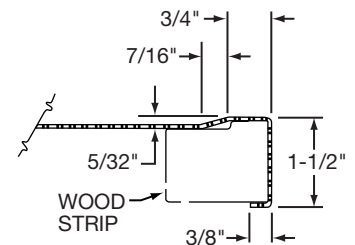
3 FAUCET HOLE MODELS



Model S4819R3

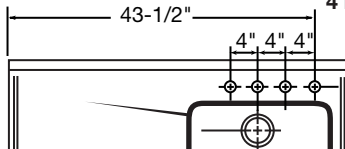


Model S4819L3

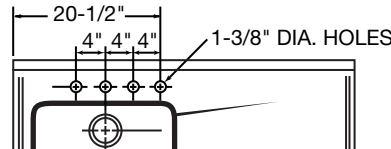


DETAIL OF RIM

4 FAUCET HOLE MODELS



Model S4819R4



Model S4819L4

ALL DIMENSIONS IN INCHES, TO CONVERT TO MILLIMETERS MULTIPLY BY 25.4.

In keeping with our policy of continuing product improvement, Elkay reserves the right to change product specifications without notice.

This specification describes an Elkay product with design, quality and functional benefits to the user. When making a comparison of other producers' offerings, be certain these features are not overlooked.