

# ELKAY® SPECIFICATIONS

## Lustertone® Single Bowl Lavatory Sink Models LLVR1916 and LLVR1916CS

### GENERAL

Highest quality sink bowl seamlessly formed of #18 gauge, type 304 (18-8) nickel bearing stainless steel. Self-rimming.

### DESIGN FEATURES

Bowl Depth: 6".

Bowl and Faucet Deck: Embossed faucet deck on back ledge.

Finish: Exposed surfaces are hand blended to a lustrous high-lighted satin finish.

Underside: Fully undercoated to dampen sound and prevent condensation.

### OTHER

Comes complete with LKF293 overflow assembly.

**LLVR1916.** Faucet holes on 4" centers.

**LLVR1916CS.** Three faucet holes on 2" centers.

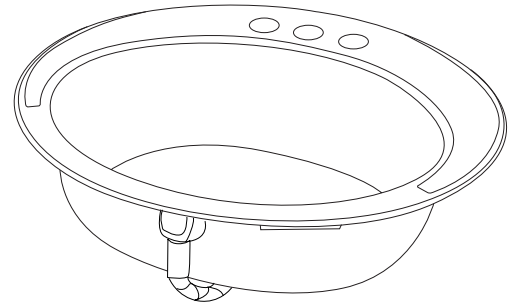
Drain Opening: 1-1/2", 2-1/4" O.D. at top of countersink. Arranged for standard lavatory type drain fitting.

NOTE: Unless otherwise specified, sink is furnished with 3 faucet holes as shown.

These sinks comply with ANSI Standard A112.19.3M.



This sink is listed by the International Association of Plumbing and Mechanical Officials as meeting the requirements of the Uniform Plumbing Code.



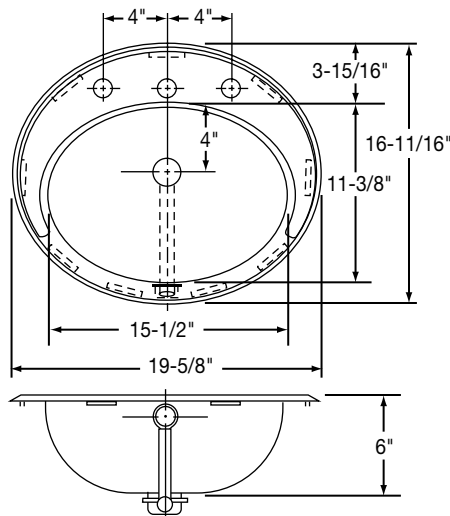
Model LLVR1916CS3

### SINK DIMENSIONS (INCHES)\*

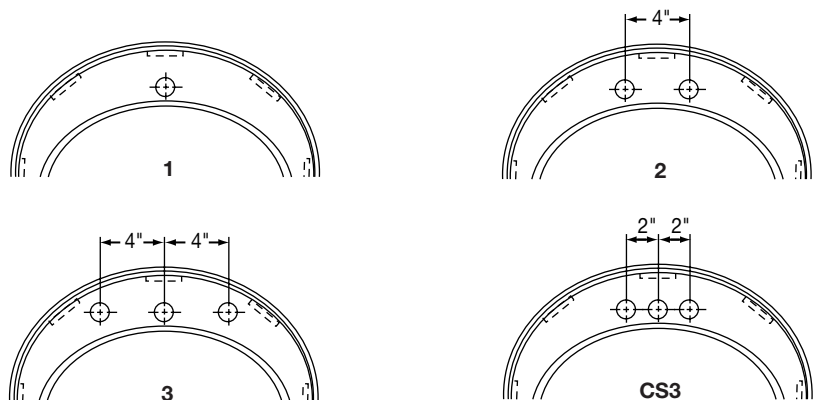
Model Number	Overall		Inside Bowl			With Overflow	Cutout in Countertop Use Sink Upside-down as template and cut 5/16" INSIDE Sink Outline.	1 1/4" Dia. Faucet Holes No. & Ctrs.	Minimum Cabinet Size	Ship. Wt. Lbs.
	L	D	L	W	D					
LLVR1916	19 <sup>5</sup> / <sub>8</sub>	16 <sup>11</sup> / <sub>16</sub>	15 <sup>1</sup> / <sub>2</sub>	11 <sup>3</sup> / <sub>8</sub>	6	Yes	1, 2 or 3 - 4" Ctrs.	24	8	
LLVR1916CS	19 <sup>5</sup> / <sub>8</sub>	16 <sup>11</sup> / <sub>16</sub>	15 <sup>1</sup> / <sub>2</sub>	11 <sup>3</sup> / <sub>8</sub>	6	Yes	3 - 2" Ctrs.	24	8	

\*Length is left to right. Width is front to back.

### HOLE DRILLING CONFIGURATIONS



Model LLVR1916 Illustrated



ALL DIMENSIONS IN INCHES, TO CONVERT TO MILLIMETERS MULTIPLY BY 25.4.

In keeping with our policy of continuing product improvement, Elkay reserves the right to change product specifications without notice.

This specification describes an Elkay product with design, quality and functional benefits to the user. When making a comparison of other producers' offerings, be certain these features are not overlooked.