

**Lustertone® Single Bowl Round Lavatory Sink
18 Gauge - Type 304 - Self Rim
Model LLVR19 and LLVR19CS**



SPECIFICATIONS

GENERAL

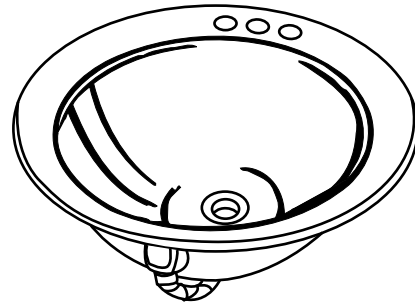
Highest quality Lustertone single bowl lavatory sink is seamlessly drawn of #18 gauge, type 304 (18-8) nickel bearing stainless steel. Self-rimming.

DESIGN FEATURES

Bowl Depth: 7".
Bowl and Faucet Deck Recess: 3/16" drop ledge.
Finish: Exposed surfaces are polished to a lustrous, highlighted bright satin finish.
Underside: Fully undercoated to prevent condensation and deaden sound.

OTHER

LLVR19CS sink has three faucet holes on 2" centers.
LLVR19 sink has three faucet holes on 4" centers.
Drain opening: 1-5/8", 2-1/4" O.D. at top of countersink.
Arranged for standard lavatory type pop-up drain fitting.
Overflow: Both models have a 3-1/2" wide back ledge with the LKF296 Flexible overflow assembly.
These sinks comply with ANSI Standard A112.19.3M.



Model LLVR19CS

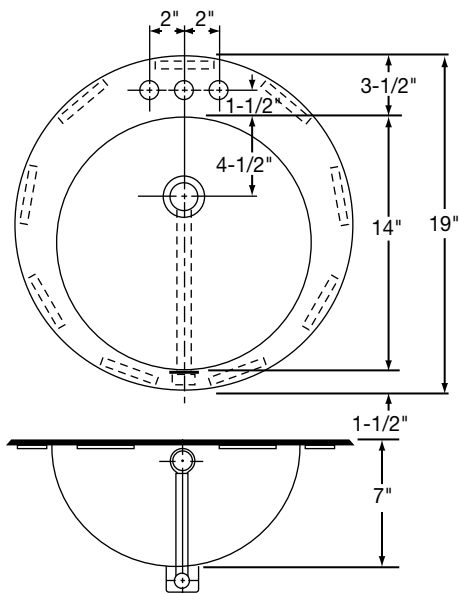


This sink is listed by the International Association of Plumbing and Mechanical Officials as meeting the requirements of the Uniform Plumbing Code.

SINK DIMENSIONS (INCHES)*

Model Number	Overall			With Overflow	Cutout in Countertop Use Sink Upside-down as template and cut 5/16" INSIDE Sink Outline.	1/4" Dia. Faucet Holes No. & Ctrs.	Ship. Wt. Lbs.
	Outside Diameter	Inside Diameter	Depth				
LLVR19CS	19	14	7	Yes		(3) - 2" Ctrs.	10 1/2
LLVR19	19	14	7	Yes		(3) - 4" Ctrs.	10 1/2

*Length is left to right. Width is front to back.



Model LLVR19CS Illustrated

In keeping with our policy of continuing product improvement, Elkay reserves the right to change product specifications without notice.

ALL DIMENSIONS IN INCHES, TO CONVERT TO MILLIMETERS MULTIPLY BY 25.4.

This specification describes an Elkay product with design, quality and functional benefits to the user. When making a comparison of other producers' offerings, be certain these features are not overlooked.