

ELKAY[®]

SPECIFICATIONS

LKDC Series Classroom/Institutional Faucet Single Wing Handle

Models LKDC2085 and LKDCVR2085 (Right Hand)
Models LKDC2085L and LKDCVR2085L (Left Hand)

GENERAL

LKDC2085 A single-handle, top mount gooseneck faucet, 10-3/8" (264mm) high overall. Rigid spout with aerator. Brass base, wing handle on right side. Finished in heavy chrome plate. Removable cartridges. All operating parts are replaceable from above deck. 1/2" I.P. connections. Requires single faucet hole. Ship. Wt. 3 lbs.

LKDC2085L Same as LKDC2085, except handle is on left side.

LKDCVR2085 Same as LKDC2085, except with vandal-resistant aerator and handle screw and factory installed anti-rotation pins.

LKDCVR2085L Same as LKDCVR2085, except handle is on the left.

Maximum Countertop Thickness: 7/8" (22mm).

COMPLIES WITH:

ASME A112.18.1M

CSA B125-01

NSF/ANSI 61

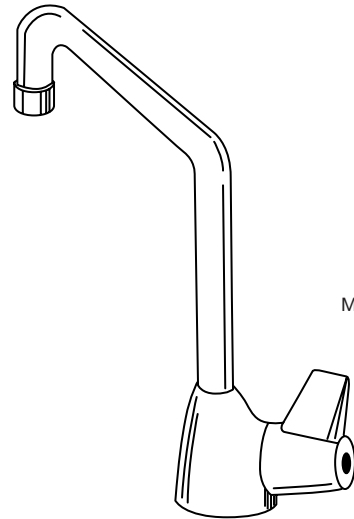
ADA



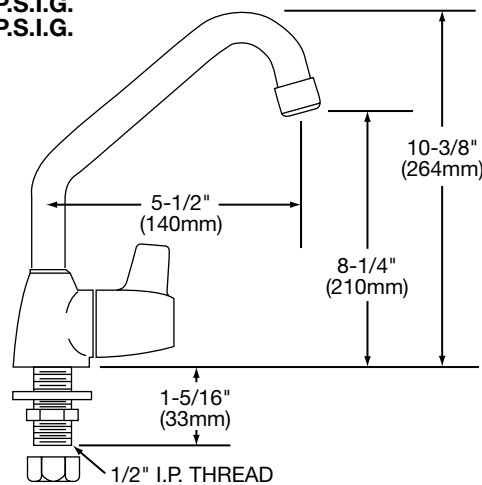
MAXIMUM FLOW RATE

2.5 GPM/9.5 L/min AT 80 P.S.I.G.

2.2 GPM/8.3 L/min AT 60 P.S.I.G.



Model LKDC2085



Model LKDC2085 Illustrated

ELKAY LIMITED LIFETIME FAUCET WARRANTY ON RESIDENTIAL FAUCETS

Limited Lifetime Functional and Finish Warranty

Elkay warrants to the original consumer purchaser that the Elkay faucet purchased will be free from defects in material and workmanship for as long as the original consumer purchaser owns the faucet. Elkay will, at its option, supply replacement parts (or if no longer available a comparable product) if the faucet fails due to a defect in material or workmanship. This warranty does not apply in the event of product surface damage caused by abuse, misuse or improper care and maintenance. This warranty excludes damage caused by harsh or abrasive cleaners and/or materials. This warranty excludes all industrial, commercial and business use, whose purchasers are hereby extended a limited lifetime on mechanical parts and 5 years on finish. Product replacement does not include transportation cost or labor installation cost. Elkay reserves the right to examine product in question and its installation prior to replacement.

OTHER WARRANTY CONDITIONS ON FAUCETS

Our warranty does not cover product failure or damage caused by abusive treatment, misuse, environmental factors, improper care and cleaning, or damage due to handling or faulty installations. This warranty is extended only to the original consumer purchaser of the product. This warranty does not cover shipping costs, labor costs, or any other charges for such items as installation or replacement of the sink, diagnosis or replacement of any faucet or component part, or any other expense or loss.

All incidental or consequential damages are specifically excluded. No additional warranties, express or implied are given. Any implied warranty, including one of merchantability or fitness for a particular purpose, is limited to the duration of this written warranty.

Some states do not allow the exclusion or limitation of incidental or consequential damages or limitations on how long an implied warranty lasts, so the above limitations or exclusions may not apply to you.

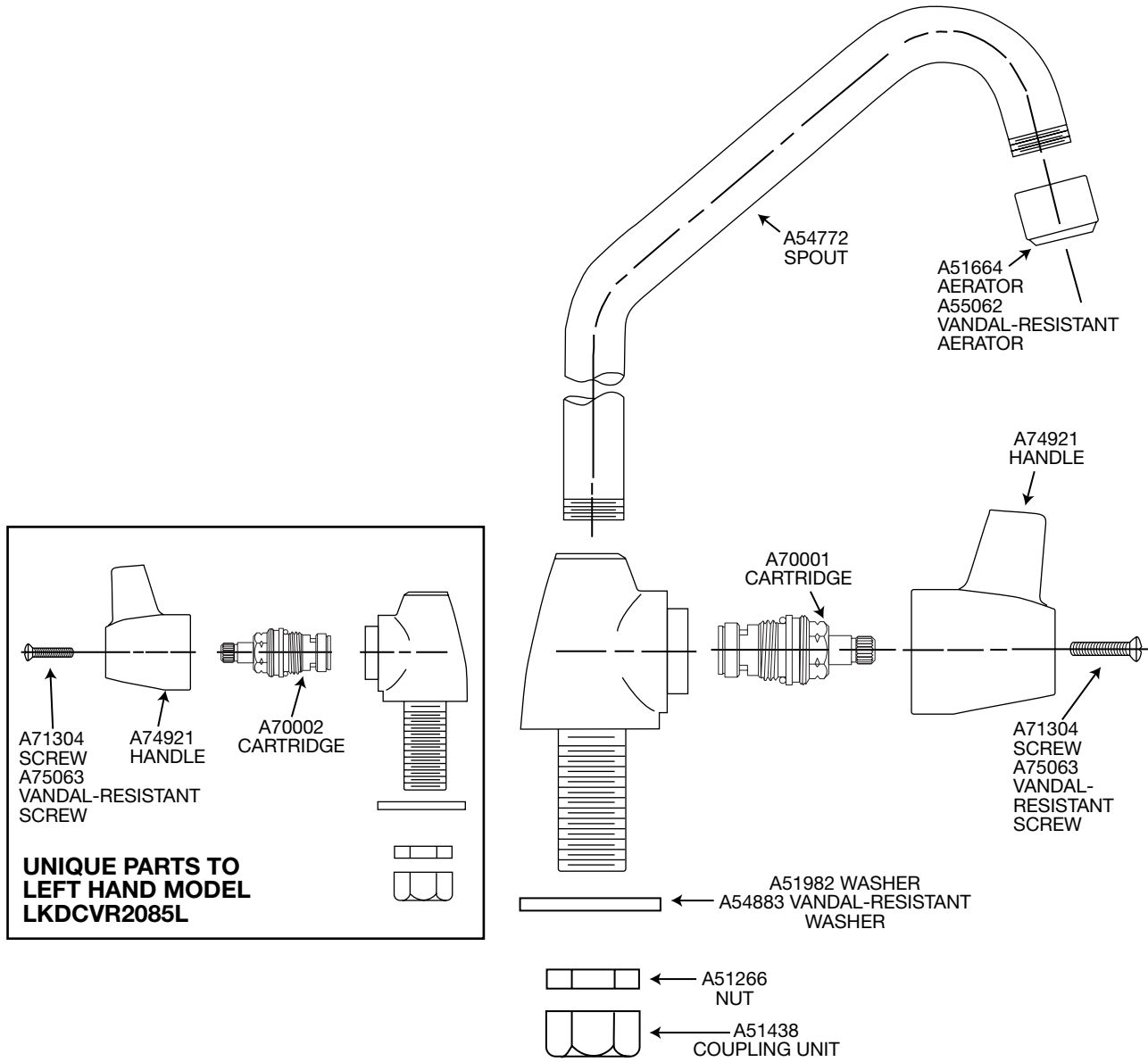
This warranty gives you specific legal rights, and you may also have other rights which vary from state to state.

TO OBTAIN SERVICE UNDER WARRANTY

1. Write to: Elkay
Attention: Consumer Services
2222 Camden Court
Oak Brook, IL 60523
2. Include a letter containing the following information:
 - a. Date of purchase and installation
 - b. Description of nature of defect
 - c. Model number or description of model and/or component part if possible.

**LKDC Series Classroom/Institutional Faucet
Single Wing Handle
Models LKDC2085 and LKDCVR2085 (Right Hand)
Models LKDC2085L and LKDCVR2085L (Left Hand)**

**ELKAY®
PARTS LIST**



**LKDC2085
LKDCVR2085
RIGHT HAND MODEL**

Elkay recommends installation by a licensed plumber.