

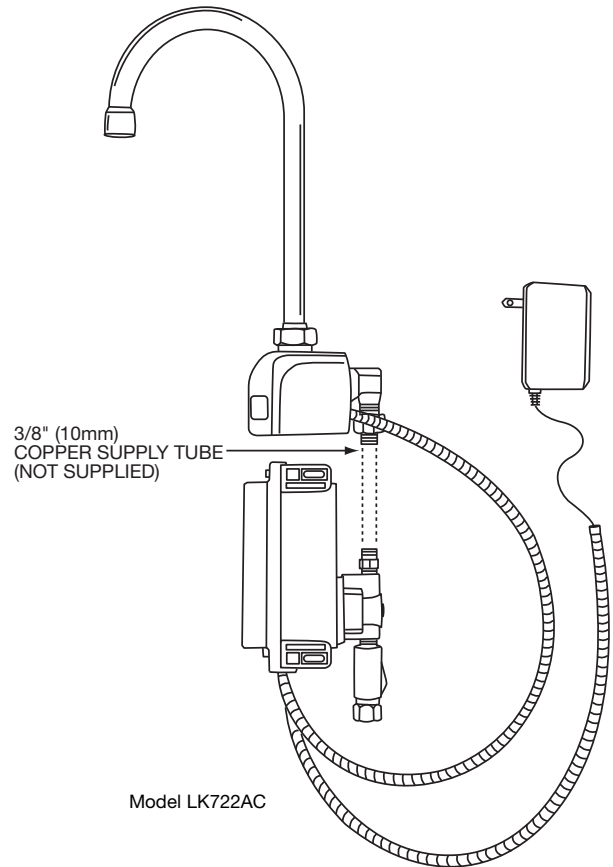
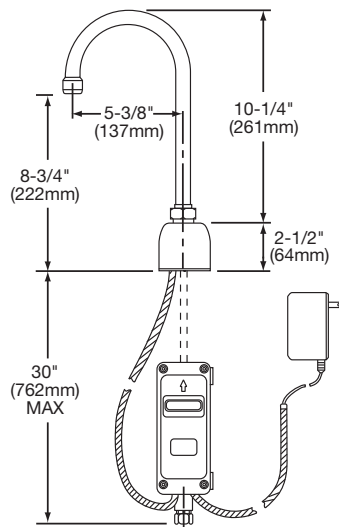
**Backsplash-Mounted Sensor Faucet
AC Powered
LK722AC**



SPECIFICATIONS

GENERAL

LK722AC Sensor-operated, non-mixing (tempered water), backsplash-mounted gooseneck faucet with adjustable sensor eyes. A continuous beam is emitted from sensor. The sensor faucet is activated by user placing hands under the spout. Tempered water will flow as long as hands remain within sensor range. When hands are removed, the water stops automatically based on shut off delay setting. The sensor then resets and is ready for the next user. AC powered, chrome plated – solid brass body construction and 12-3/4" (324mm) high (bottom of base to top of spout), 8-3/4" (222mm) from aerator to base, 5-3/8" (137mm) reach C.P. spout with 2.0 gpm laminar flow control on spout end. Includes vandal-resistant, water-resistant sensor control module with armored vandal-resistant control and power cables. 12V DC plug-in voltage adapter, slow-closing piston operated solenoid valve, in-line filter with clean out trap, and 3/8" (10mm) copper fittings for supply tube furnished by contractor. Control circuit is solid state, has adjustable sensor range (6" [152mm] preset to 30" [762mm]), shut off delay preset at 1 second and field adjustable to 2, 4 or 8 seconds, and automatic time-out feature (to prevent sink overflow) is preset at 0 seconds and is field adjustable to 15, 30 or 60 seconds.



Model LK722AC



This faucet is ADA compliant.

ELKAY FAUCET/WATER DISPENSERS LIMITED WARRANTY

Elkay warrants its faucet and water dispensers to be free of defects in workmanship and material for a period of one year from the date of purchase. Replacement parts are available from Elkay for a nominal charge. Upon return of a defective part to Elkay during the warranty period with written notice of the claimed defect, Elkay will refund the replacement charge.

WASTE FITTINGS AND ACCESSORIES ARE NOT WARRANTED; OTHER WARRANTY CONDITIONS:

Our warranty does not cover product failure caused by abusive treatment, misuse, or damage due to handling or faulty installations. This warranty is extended only to the original consumer purchaser of the product. This warranty does not cover shipping costs, labor costs, or any other charges for such items as installation or replacement of the sink, diagnosis or replacement of any faucet or component part, or any other expense or loss.

ALL INCIDENTAL OR CONSEQUENTIAL DAMAGES ARE SPECIFICALLY EXCLUDED. NO ADDITIONAL WARRANTIES, EXPRESS OR IMPLIED, ARE GIVEN. ANY IMPLIED WARRANTY, INCLUDING ONE OF MERCHANTABILITY OR FITNESS FOR A PARTICULAR PURPOSE, IS LIMITED TO THE DURATION OF THIS WRITTEN WARRANTY.

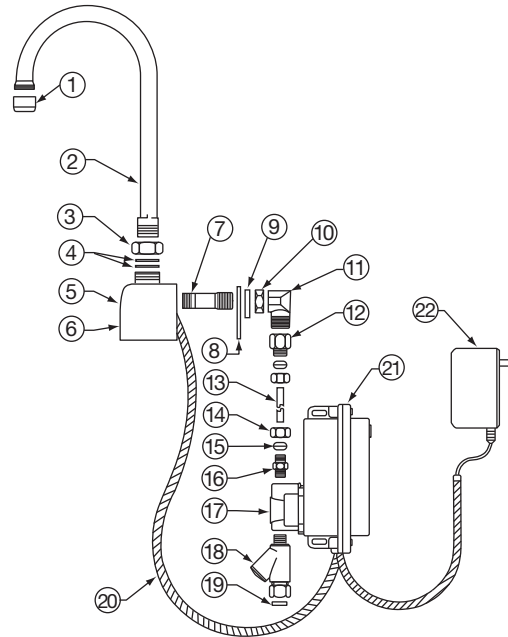
Some states do not allow the exclusion or limitation of incidental or consequential damages or limitations on how long an implied warranty lasts, so the above limitations or exclusions may not apply to you.

This warranty gives you specific legal rights, and you may also have other rights which vary from state to state.

TO OBTAIN SERVICE UNDER WARRANTY

1. Write to: Elkay Manufacturing Company
Attention: Consumer Service
2222 Camden Court
Oak Brook, Illinois 60523
2. Include a letter containing the following information:
 - a. Date of purchase and installation
 - b. Description of nature of defect
 - c. Model number or description of model and/or component part if possible.

PARTS LIST



ITEM NUMBER	NUMBER REQUIRED	PART NUMBER	PART DESCRIPTION
1	1	LK726	Laminar Flow Control
2	1	72001942	Gooseneck Spout
3	1	72001914	Spout Nut
4	2	72001915	Split Washer
5	1	72001930	Body
6	1	72001929	LED Lens
7	1	72001932	Supply Nipple
8	1	72001933	O-Ring
9	1	72001934	Washer (1 Required)
10			Mounting Nut (1 Required)
11	1	72001935	90° Elbow
12	1	72001936	Compression Adapter
13	1		Supply Tube (Not Supplied)
14	1	72001937	Compression Nut (2 Required)
15			Compression Ferrule (2 Required)
16			Compression Fitting (1 Required)
17	1	72001923	Solenoid Valve
18	1	72001924	In-Line Filter
19	1	72001925	Nylon Washer
20	1	72001938	Sensor Eye & Cable
21	1	72001927	Control Box – Solenoid Valve, In-Line Filter & PC Board Module Included
22	1	LK728	Power Adapter with Wire Lead
N/S	1	72001920	PC Board Module
N/S	1	72001939	Filter Screen
N/S	1	72001940	Solenoid Valve Repair Kit
N/S	1	72001941	Solenoid Coil