

# Double Jointed Swing Spout Faucet Model LK67C



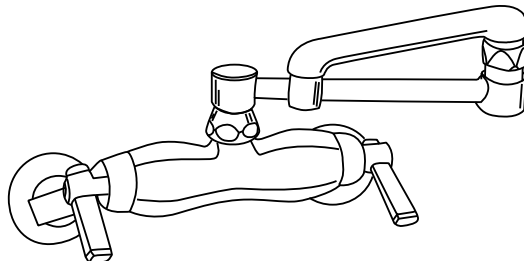
## SPECIFICATIONS

### GENERAL

**LK67C** Chrome plated dual mixing faucet, back mount with lever handles, 13" (330mm) double jointed swing spout (16-1/8" [410mm] from wall to spout outlet) with AE13 aerator. Adjustable 4" (102mm) to 8-3/8" (213mm) flanged female 1/2" (13mm) I.P.S. inlets. Ship. Wt. 7 lbs.

### OPTIONAL ACCESSORIES

- AE19** Vandal-resistant, anti-hose aerator. 2.2 GPM. Ship. Wt. 1/2 lb.
- BH4** 4" (102mm) wrist blade handles. Ship. Wt. 1 lb.
- LKMK462** 90° mounting kit for backsplash mounting of wall faucets. Ship. Wt. 1 lb.



Model LK67C



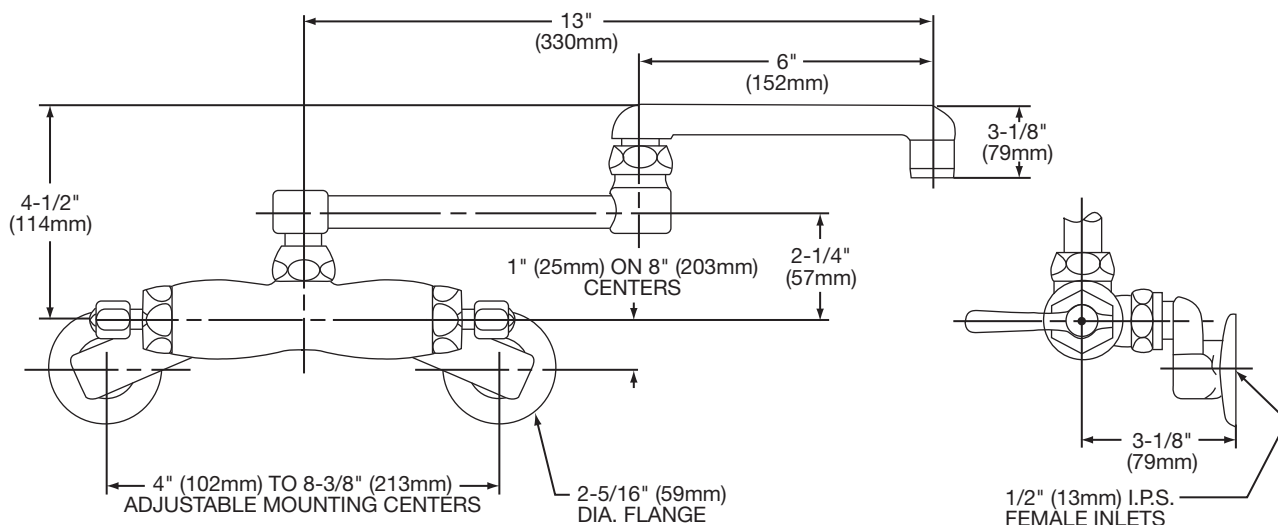
These faucets are ADA compliant.



These faucets are classified by Underwriters Laboratories Inc. to **ANSI/NSF61** for residential use.

### MAXIMUM FLOW RATE

**2.2 GPM/8.3 L/min AT 80 P.S.I.G.**



### ELKAY FAUCET/WATER DISPENSERS LIMITED WARRANTY

Elkay warrants its faucet and water dispensers to be free of defects in workmanship and material for a period of one year from the date of purchase. Replacement parts are available from Elkay for a nominal charge. Upon return of a defective part to Elkay during the warranty period with written notice of the claimed defect, Elkay will refund the replacement charge.

#### WASTE FITTINGS AND ACCESSORIES ARE NOT WARRANTED; OTHER WARRANTY CONDITIONS:

Our warranty does not cover product failure caused by abusive treatment, misuse, or damage due to handling or faulty installations. This warranty is extended only to the original consumer purchaser of the product. This warranty does not cover shipping costs, labor costs, or any other charges for such items as installation or replacement of the sink, diagnosis or replacement of any faucet or component part, or any other expense or loss.

ALL INCIDENTAL OR CONSEQUENTIAL DAMAGES ARE SPECIFICALLY EXCLUDED. NO ADDITIONAL WARRANTIES, EXPRESS OR IMPLIED, ARE GIVEN. ANY IMPLIED WARRANTY, INCLUDING ONE OF MERCHANTABILITY OR FITNESS FOR A PARTICULAR PURPOSE, IS LIMITED TO THE DURATION OF THIS WRITTEN WARRANTY.

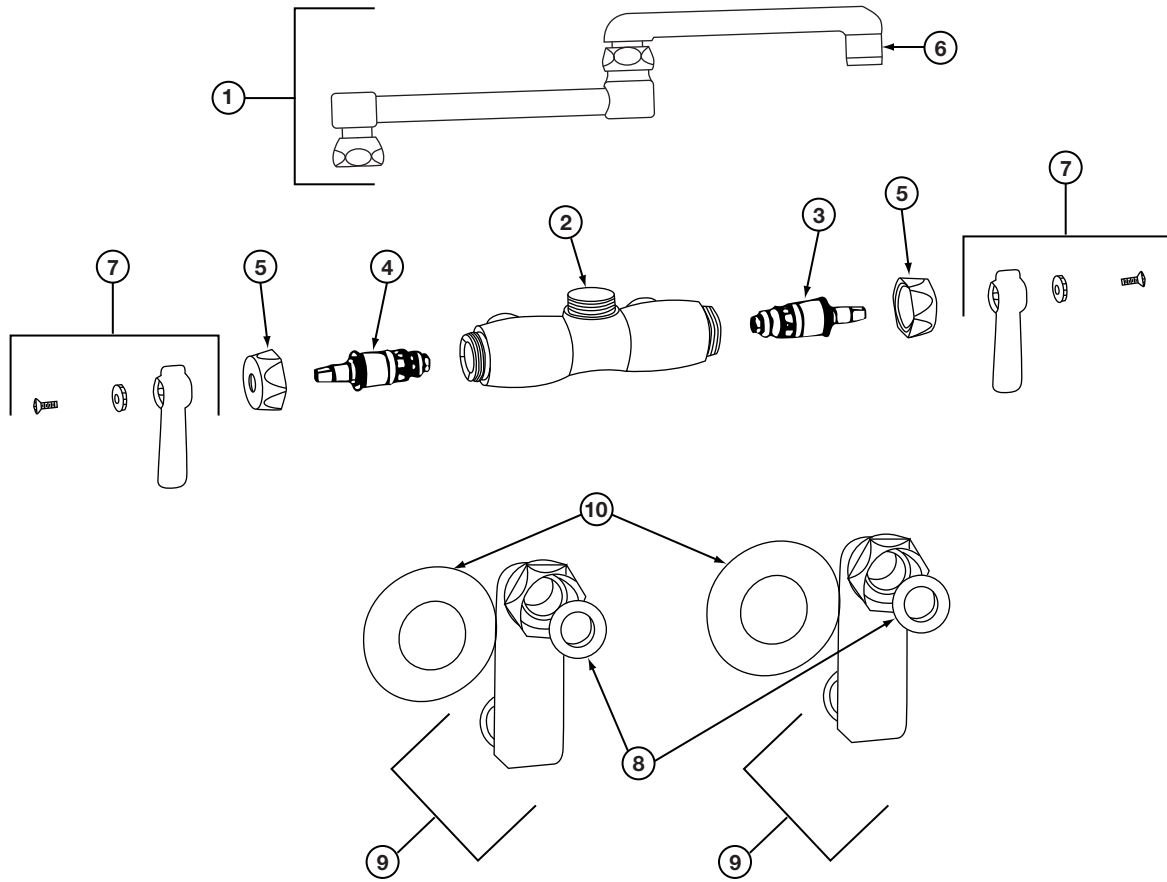
Some states do not allow the exclusion or limitation of incidental or consequential damages or limitations on how long an implied warranty lasts, so the above limitations or exclusions may not apply to you.

This warranty gives you specific legal rights, and you may also have other rights which vary from state to state.

#### TO OBTAIN SERVICE UNDER WARRANTY

1. Write to: Elkay  
Attention: Consumer Service  
2222 Camden Court  
Oak Brook, Illinois 60523
2. Include a letter containing the following information:
  - a. Date of purchase and installation
  - b. Description of nature of defect
  - c. Model number or description of model and/or component part if possible.

**PARTS LIST**



Item No.	No. Required	Part No.	Description
1	1	72000556	Spout Assembly
2	1	N/A	Faucet Body
3	1	72000150	LH Cartridge
4	1	72000149	RH Cartridge
5	2	72000554	Cap
6	1	AE13	Aerator
7	2	72001912	Handle Assembly
8	2	72000756	Washer
9	2	72000549	Arm Assembly with Washer
10	2	72000548	Flange