

Swing Spout Faucet with Blade Handles Models LK393A and LK393ABH6



SPECIFICATIONS

GENERAL

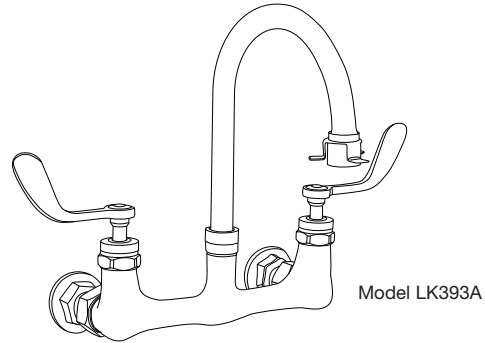
- LK393A** Chrome plated dual mixing faucet, back mount with BH4A 4" (102mm) wrist blade handles. 10-1/4" (260mm) high swing gooseneck spout (8-3/4" [222mm] from wall to spout outlet) with AE19A vandal-resistant anti-hose aerator. 8" (203mm) center to center adjustable flanged female 1/2" (13mm) inlets with built-in check valves. Ship. Wt. 6 lbs.
- LK393ABH6** Same as the LK393A except with BH6A 6" (152mm) wrist blade handles. Ship. Wt. 6 lbs.

OPTIONAL ACCESSORIES

- AE13A** Aerator. 2.2 GPM. Ship. Wt. 1/4 lb.
- LKMK462** 90° Mounting kit for backsplash mounting of wall faucets. Ship. Wt. 1 lb.

MAXIMUM FLOW RATE

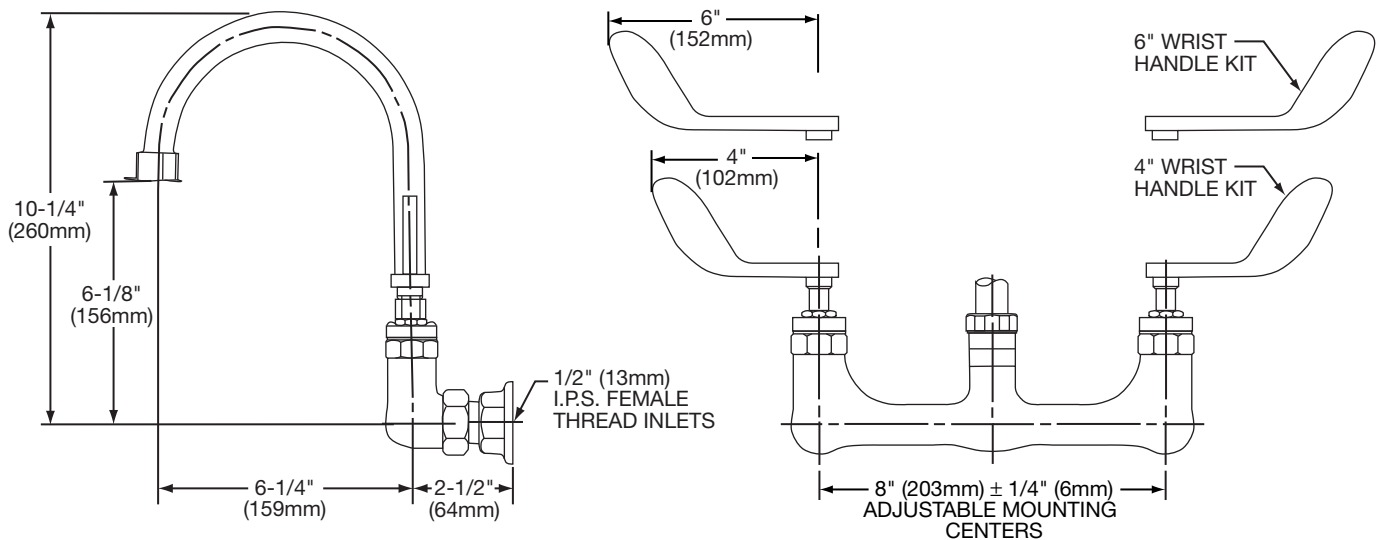
2.5 GPM/9.5 L/min at 80 P.S.I.G.
2.2 GPM/8.3 L/min at 60 P.S.I.G.
2.0 GPM/7.6 L/min at 40 P.S.I.G.



These faucets are ADA compliant.



These faucets are certified to **ANSI/NSF61, Section 9** for residential use.



ELKAY FAUCET/WATER DISPENSERS LIMITED WARRANTY

Elkay warrants its faucet and water dispensers to be free of defects in workmanship and material for a period of one year from the date of purchase. Replacement parts are available from Elkay for a nominal charge. Upon return of a defective part to Elkay during the warranty period with written notice of the claimed defect, Elkay will refund the replacement charge.

WASTE FITTINGS AND ACCESSORIES ARE NOT WARRANTED; OTHER WARRANTY CONDITIONS:

Our warranty does not cover product failure caused by abusive treatment, misuse, or damage due to handling or faulty installations. This warranty is extended only to the original consumer purchaser of the product. This warranty does not cover shipping costs, labor costs, or any other charges for such items as installation or replacement of the sink, diagnosis or replacement of any faucet or component part, or any other expense or loss.

ALL INCIDENTAL OR CONSEQUENTIAL DAMAGES ARE SPECIFICALLY EXCLUDED. NO ADDITIONAL WARRANTIES, EXPRESS OR IMPLIED, ARE GIVEN. ANY IMPLIED WARRANTY, INCLUDING ONE OF MERCHANTABILITY OR FITNESS FOR A PARTICULAR PURPOSE, IS LIMITED TO THE DURATION OF THIS WRITTEN WARRANTY.

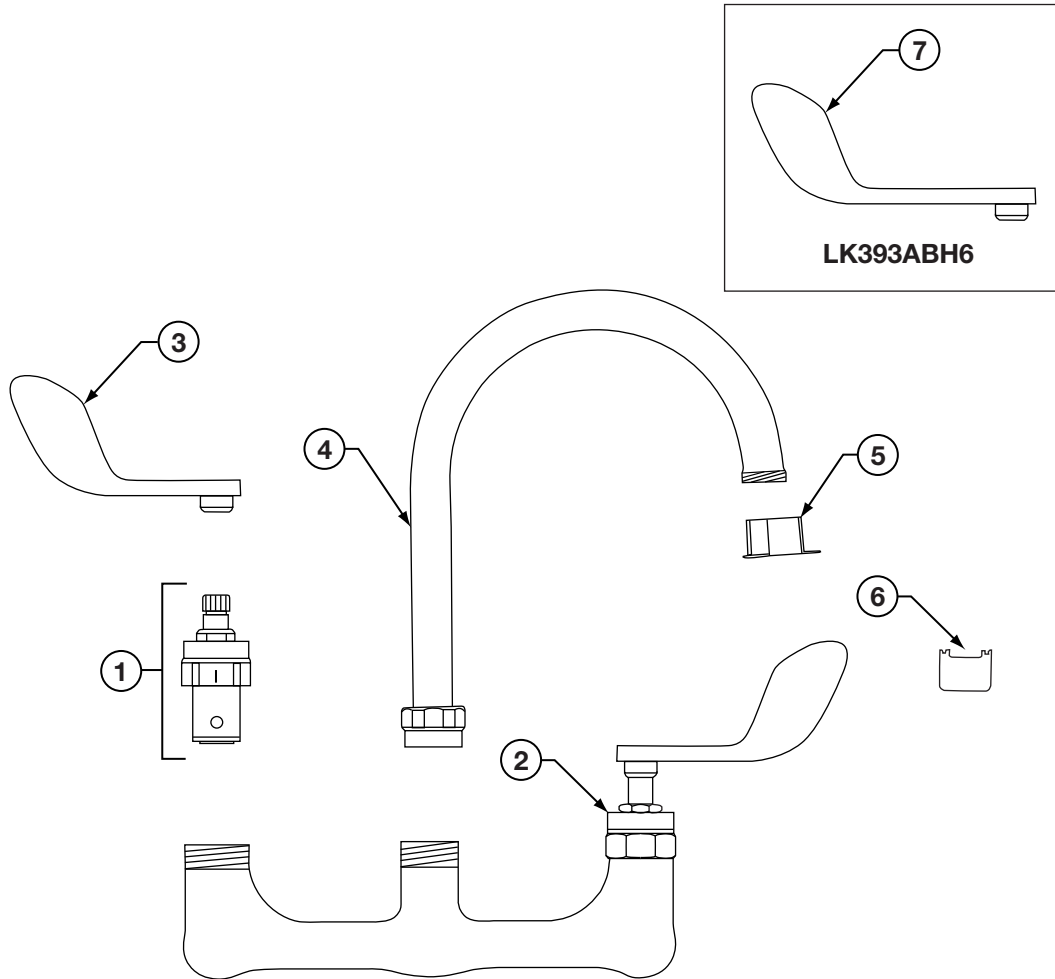
Some states do not allow the exclusion or limitation of incidental or consequential damages or limitations on how long an implied warranty lasts, so the above limitations or exclusions may not apply to you.

This warranty gives you specific legal rights, and you may also have other rights which vary from state to state.

TO OBTAIN SERVICE UNDER WARRANTY

1. Write to: Elkay
Attention: Consumer Service
2222 Camden Court
Oak Brook, Illinois 60523
2. Include a letter containing the following information:
 - a. Date of purchase and installation
 - b. Description of nature of defect
 - c. Model number or description of model and/or component part if possible.

PARTS LIST



ITEM NUMBER	NUMBER REQUIRED	PART NUMBER	PART DESCRIPTION
1	1	72001876	Hot Valve Assembly
2	1	72001877	Cold Valve Assembly
3	1	BH4A	Handle Kit (includes two 4" handles, a hot and cold color index, and two screws)
4	1	72001947	6" Spout Assembly
5	1	AE19A	Vandal-resistant, Anti-hose Aerator
6	1	72002000	Lock Key
7	1	BH6A	Handle Kit (includes two 6" handles, a hot and cold color index, and two screws)