

ELKAY® SPECIFICATIONS

Dual Handle Hospitality Faucet Models LK20888, LK208813 and LKVR208813

GENERAL

LK208813 dual handle, top mount mixing faucet, 13" (330mm) high overall. Rigid gooseneck spout with aerator. Brass base, brass forged wing handles (7-7/8" [200mm] overall handles). Finished in heavy chrome plate. Removable valve cartridges. All operating parts are replaceable from above deck. 3/8" (10mm) copper tubing connections. Requires single faucet hole. Ship. Wt. 3-3/4 lbs.

LK20888 Overall height is 8" (203mm), otherwise same as LK208813. Ship. Wt. 3-1/2 lbs.

LKVR208813 Same as LK208813 except with vandal-resistant aerator and handle screws.

LK208813D Same as LK208813 except with Polished Brass finish.

LK208813MC Same as LK208813 except with Mirrored Copper finish. Mirrored Copper finish is a living finish.

Maximum countertop thickness: 7/8" (22mm).



These faucets are ADA compliant.

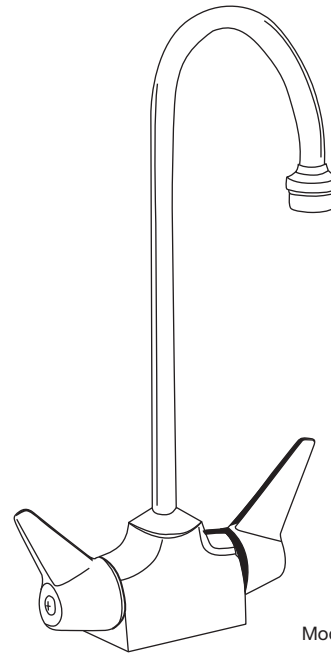


These faucets are classified by Underwriters Laboratories Inc. to **ANSI/NSF61**.

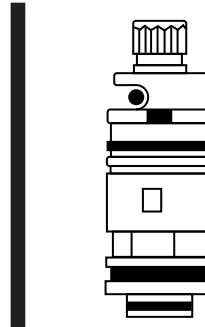
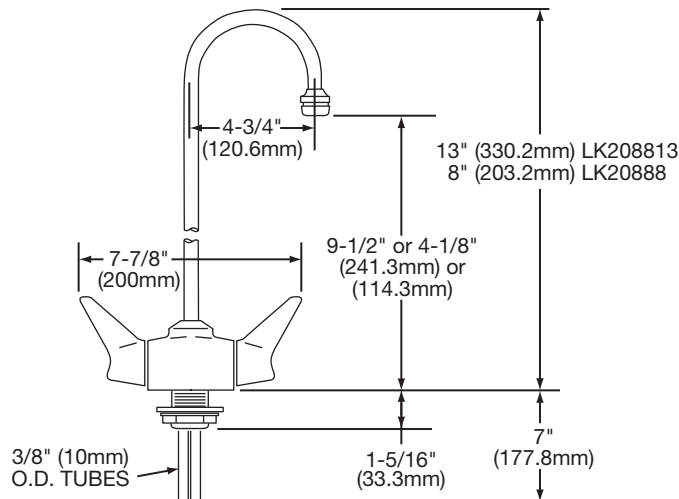
MAXIMUM FLOW RATE

2.5 GPM/9.5 L/min AT 80 P.S.I.G.

2.2 GPM/8.3 L/min AT 60 P.S.I.G.



Model LK208813



CARTRIDGE

Maintenance-free, drip-free washerless cartridge that is completely self-contained and easily removable.

A simple cam-activated movement of the diaphragm controls the flow of water with a feather-lite touch. Full **off** to full **on** with a 120° turn. No springs. No wearing action and no moving parts exposed to water.

U.S. Patent #4,203,464

Canadian Patent #983,911

ELKAY LIMITED LIFETIME FAUCET WARRANTY ON RESIDENTIAL FAUCETS

Limited Lifetime Functional and Finish Warranty

Elkay warrants to the original consumer purchaser that the Elkay faucet purchased will be free from defects in material and workmanship for as long as the original consumer purchaser owns the faucet. Elkay will, at its option, supply replacement parts (or if no longer available a comparable product) if the faucet fails due to a defect in material or workmanship. This warranty does not apply in the event of product surface damage caused by abuse, misuse or improper care and maintenance. This warranty excludes damage caused by harsh or abrasive cleaners and/or materials. This warranty excludes all industrial, commercial and business use, whose purchasers are hereby extended a limited lifetime on mechanical parts and 5 years on finish. Product replacement does not include transportation cost or labor installation cost. Elkay reserves the right to examine product in question and its installation prior to replacement.

OTHER WARRANTY CONDITIONS ON FAUCETS

Our warranty does not cover product failure or damage caused by abusive treatment, misuse, environmental factors, improper care and cleaning, or damage due to handling or faulty installations. This warranty is extended only to the original consumer purchaser of the product. This warranty does not cover shipping costs, labor costs, or any other charges for such items as installation or replacement of the sink, diagnosis or replacement of any faucet or component part, or any other expense or loss.

All incidental or consequential damages are specifically excluded. No additional warranties, express or implied are given. Any implied warranty, including one of merchantability or fitness for a particular purpose, is limited to the duration of this written warranty.

Some states do not allow the exclusion or limitation of incidental or consequential damages or limitations on how long an implied warranty lasts, so the above limitations or exclusions may not apply to you.

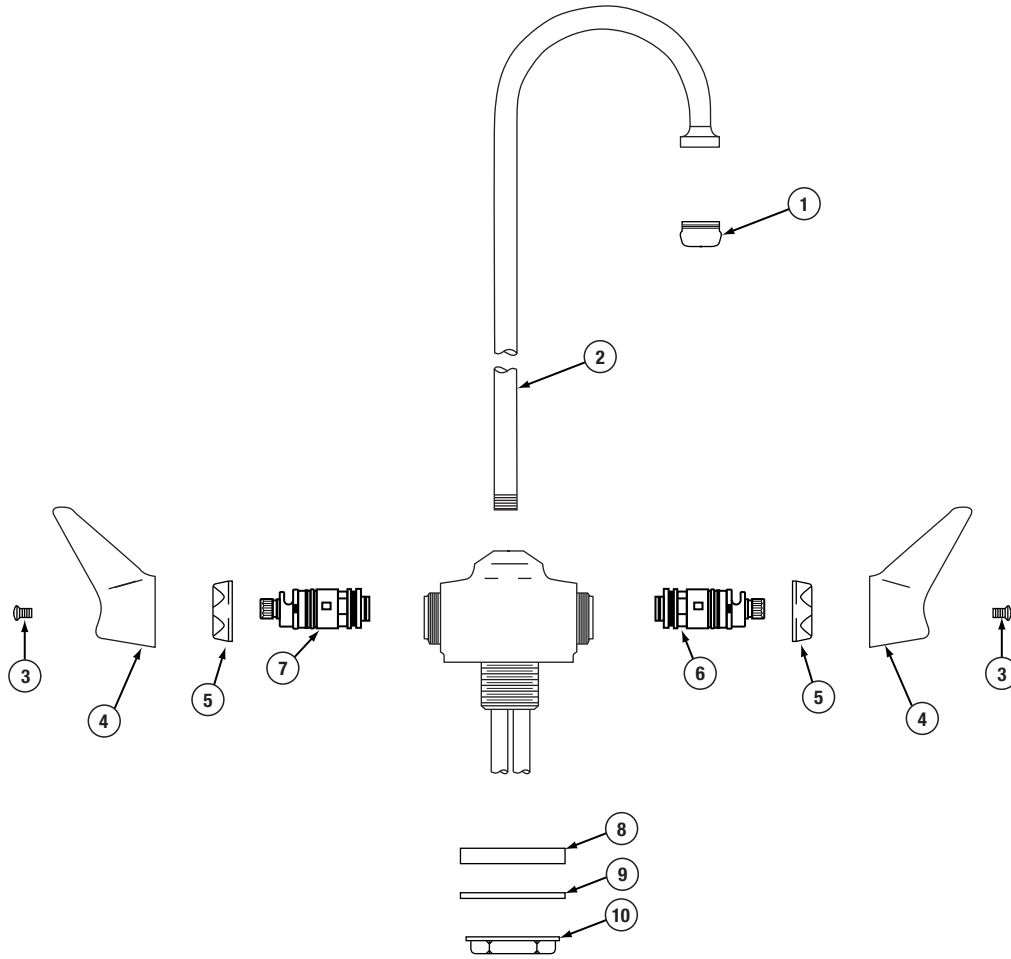
This warranty gives you specific legal rights, and you may also have other rights which vary from state to state.

TO OBTAIN SERVICE UNDER WARRANTY

- Write to: Elkay
Attention: Consumer Services
2222 Camden Court
Oak Brook, IL 60523
- Include a letter containing the following information:
 - Date of purchase and installation
 - Description of nature of defect
 - Model number or description of model and/or component part if possible.

**Dual Handle Hospitality Faucet
Models LK20888, LK208813
and LKVR208813**

**ELKAY®
PARTS LIST**



KEY	DESCRIPTION	LK20888	LK208813	LK208813D	LK208813MC	LKVR208813
1	Aerator	A51357	A51357	A51357D	A51357MC	A55061
2	Spout (includes Aerator)	A51589	A51590	A51590D	A51590MC	A51590*
3	Handle Screw	A51304	A51304	A51304D	A51304MC	A55064
4	Handle	A52425	A52425	A52425D	A52425MC	A52425
5	Cap Nut	A52082	A52082	A52082	A52082	A52082
6	Micracore – Cold	A42057R	A42057R	A42057R	A42057R	A42057R
7	Micracore – Hot	A42058R	A42058R	A42058R	A42058R	A42058R
8	Anti-Rotation Washer	-	-	-	-	A55260
9	Washer	A51334	A51334	A51334	A51334	-
10	Hold Down Nut	A51289	A51289	A51289	A51289	A51289

* - Includes aerator A51357