

**Three Station Wall Mounted Wash Sink
With Sensor Faucets, AC Powered
Models EWMA7220SACC,
EWMA7220SACMC and EWMA7220SACTMC**



SPECIFICATIONS

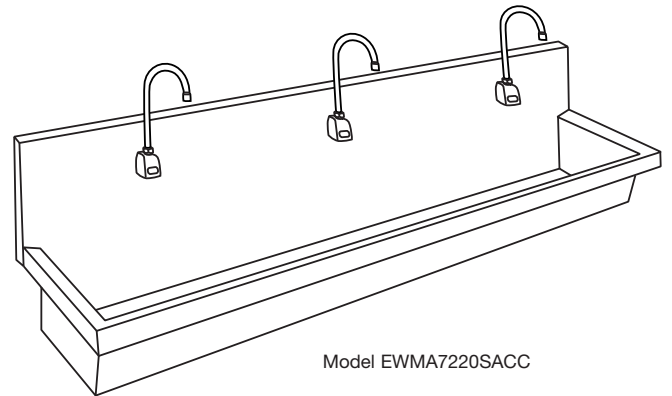
GENERAL

EWMA7220 #14 gauge, type 304 (18-8) stainless steel three station wash sink with 1/4" (6mm) radius coved corners. 1-1/2" (38mm) wide sloping top channel rims, with 2" (51mm) flat apron. Full length 10" (254mm) high backsplash. Rim corners are square. Exposed surfaces are hand blended to a uniform satin luster finish. Furnished with wall hangers and stainless steel support brackets.

(CHECK MODEL SPECIFIED)

MODEL	FAUCET	DRAIN	MIXING VALVE
<input type="checkbox"/> EWMA7220SACC	LK722AC (3)	LK18B	NONE
<input type="checkbox"/> EWMA7220SACMC	LK722AC (3)	LK18B	LK724 (3)
<input type="checkbox"/> EWMA7220SACTMC	LK722AC (3)	LK18B	LK723 (3)

LK722AC Sensor-operated, non-mixing (tempered water), backsplash-mounted gooseneck faucet with adjustable sensor eyes. A continuous beam is emitted from sensor. The sensor faucet is activated by user placing hands under the spout. Tempered water will flow as long as hands remain within sensor range. When hands are removed, the water stops automatically based on shut off delay settings. The sensor then resets and is ready for the next user. AC powered, chrome plated - solid brass body construction and 12-3/4" (324mm) high (bottom of base to top of spout), 8-3/4" (222mm) from aerator to base, 5-3/8" (137mm) reach C.P. spout with 2.0 gpm laminar flow control on spout end. Includes vandal-resistant, water-resistant sensor control module with armored vandal-resistant control and power cables. LK730 wire lead allows contractor to connect each control box to one LK727 multi-unit power adapter. Depending on the location of the LK727, 20-22 gauge wire (not supplied) may be required from LK730 to LK727. Slow-closing piston operated solenoid valve, in-line filter with clean out trap, and 3/8" (10mm) copper fittings for supply tube



Model EWMA7220SACC

furnished by contractor. Control circuit is solid state, has adjustable sensor range (6" [152mm] preset to 30" [762mm]), shut off delay preset at 1 second and field adjustable to 2, 4 or 8 seconds, and automatic time-out feature (to prevent sink overflow) is preset at 0 seconds and is field adjustable to 15, 30 or 60 seconds.

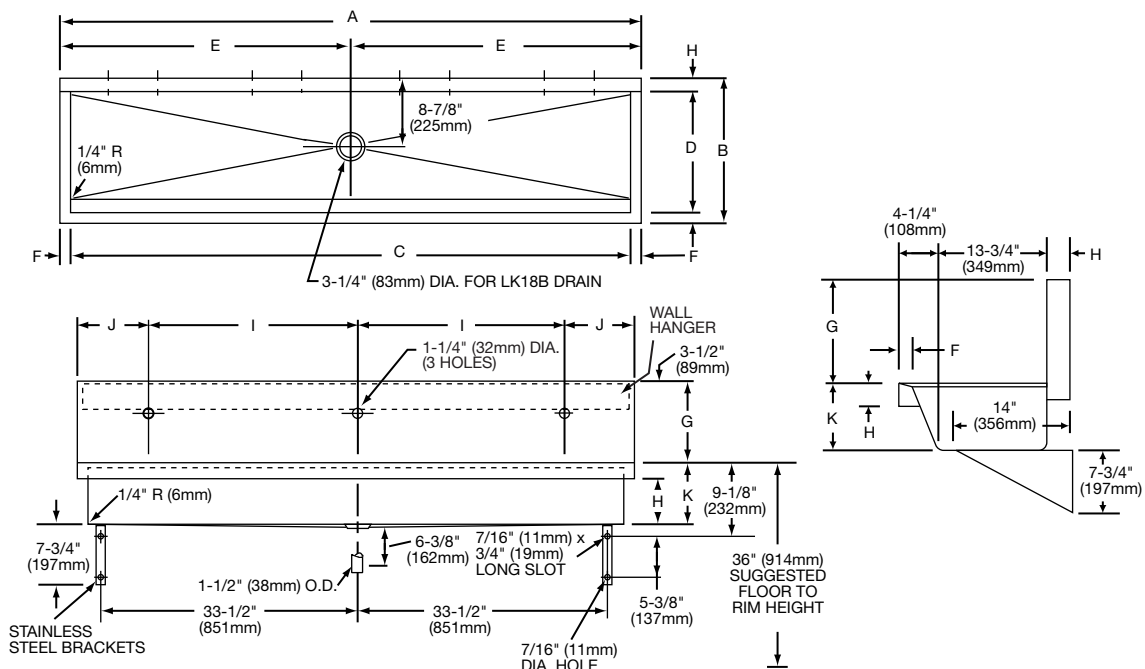
LK18B Stainless steel perforated grid strainer with 1-1/2" (38mm) O.D. stainless steel tailpiece.

LK723 Anti-scald thermostatic mixing valve with nickel-plated brass body 1/2" (13mm) SWT inlets and outlet connections, check valves on inlets and a mixed temperature range of 80°- 120°F. Certified under ASSE1016.

LK724 Mechanical mixing valve with C.P. brass body, 3/8" (10mm) compression inlets and outlet connections, and check valves on inlets.

DIMENSIONS

Model Number	A		B		C		D		E		F		G		H		I		J		K	
	in.	mm	in.	mm	in.	mm	in.	mm	in.	mm	in.	mm	in.	mm	in.	mm	in.	mm	in.	mm	in.	mm
EWMA7220	72	1829	20	508	69	1753	16 1/2	419	36	914	1 1/2	38	10	254	2	51	24	610	12	305	8	203



**Three Station Wall Mounted Wash Sink
With Sensor Faucets, AC Powered
Models EWMA7220SACC,
EWMA7220SACMC and EWMA7220SACTMC**



ROUGH-IN DIMENSIONS

