

ELKAY[®]

SPECIFICATIONS

Gourmet Cuisine Centr[®] Double Bowl Sink with Ribbed Area Models EGPI4322L and EGPI4322R

GENERAL

Highest quality Gourmet sink bowls are seamlessly drawn of #18 gauge, type 304 (18-8) nickel bearing stainless steel. Self-rimming.

DESIGN FEATURES

Bowl Depths: 10" (large bowl) and 6-1/2" (small bowl), recessed 1/2" below outside of sink.

Coved Corners: 1-1/2" radius.

Finish: Exposed surfaces are polished and hand blended to a lustrous Lasting Beauty satin finish with a highlighted inside top radius on the sink bowls.

Underside: Fully protected by heavy duty Sound Guard[®] under-coating to prevent condensation and deaden sound.

OTHER

Drain Opening: 3-1/2".

Faucet Holes: 1, 3 or 4 holes.

Cutting Board: CBP1116 cutting board surface furnished with each sink.

OPTIONAL ACCESSORIES

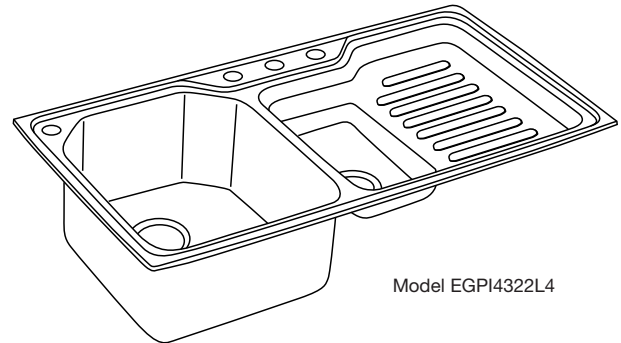
Rinsing Baskets: LKRB1614 and LKERBSS.

Cutting Surface: CBP1319.

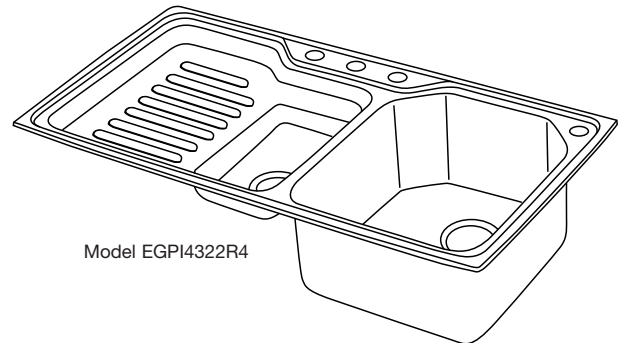
These sinks comply with ANSI Standard A112.19.3M.



These sinks are listed by the International Association of Plumbers and Mechanical Officials as meeting the requirements of the Uniform Plumbing Code.



Model EGPI4322L4

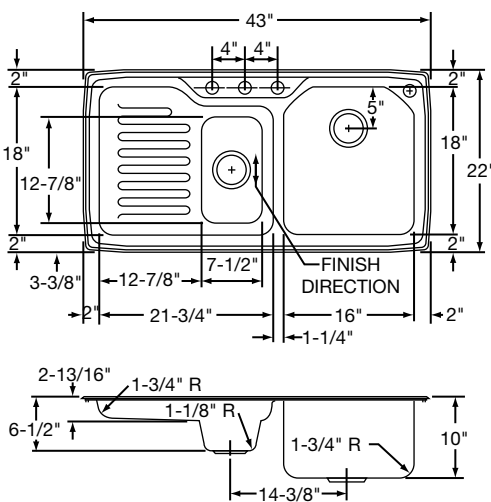


Model EGPI4322R4

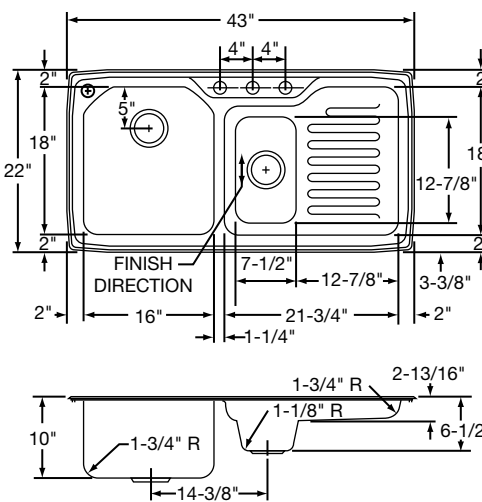
SINK DIMENSIONS (INCHES)*

Model Number	Overall		Inside Each Bowl						Ribbed Area Length	Cutout in Countertop (1 1/2" Radius Corners)		Number of 1 1/2" Dia. Faucet Holes	Minimum Cabinet Size	Ship. Wt. Lbs.
			Left			Right				L	W			
	L	W	L	W	D	L	W	D						
EGPI4322L	43	22	16	18	10	7 1/2	12 7/8	6 1/2	12 7/8	42 3/8	21 3/8	1, 3 or 4	48	35 1/2
EGPI4322R	43	22	7 1/2	12 7/8	6 1/2	16	18	10	12 7/8	42 3/8	21 3/8	1, 3 or 4	48	35 1/2

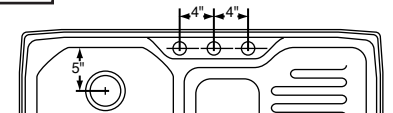
*Length is left to right. Width is front to back.



Model EGPI4322R4 Illustrated



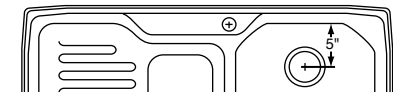
Model EGPI4322L4 Illustrated



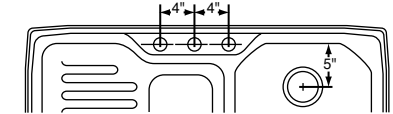
3 HOLE CONFIGURATION
MODEL EGPI4322L3



ONE HOLE CONFIGURATION
MODEL EGPI4322L1



ONE HOLE CONFIGURATION
MODEL EGPI4322R1



3 HOLE CONFIGURATION
MODEL EGPI4322R3

ALL DIMENSIONS IN INCHES, TO CONVERT TO MILLIMETERS MULTIPLY BY 25.4.

In keeping with our policy of continuing product improvement, Elkay reserves the right to change product specifications without notice.

This specification describes an Elkay product with design, quality and functional benefits to the user. When making a comparison of other producers' offerings, be certain these features are not overlooked.