

ELKAY® SPECIFICATIONS

Lustertone® Single Bowl Sink
with Quick-Clip®
Triple Ledge Model DRKRO2822 Series
Model DRKADQ2822 – A.D.A. Compliant Series Sinks

GENERAL

Lustertone sink with triple ledge. Highest quality sink bowl seamlessly drawn of #18 gauge, type 304 (18-8) nickel bearing stainless steel. Self-rimming.

DESIGN FEATURES

DRKRO Bowl Depth: 7-5/8".

DRKADQ Bowl Depths: 5-1/2", 6" or 6-1/2".

Coved Corners: 1-3/4" vertical and horizontal radius.

Bowl and Faucet Deck Recess: 3/16" below outside edge of sink.

Finish: Exposed surfaces are hand blended to a lustrous highlighted satin finish.

Underside: Fully undercoated to dampen sound and prevent condensation.

OTHER

DRKRO2822 Series drain opening is 3-1/2" and centered in bowl as illustrated.

DRKADQ2822 Series drain opening is 3-1/2" and located centered left-to-right and off-centered front-to-back as illustrated.

Suffix "L" (left) and "R" (right) denotes location of slotted hole side ledge.

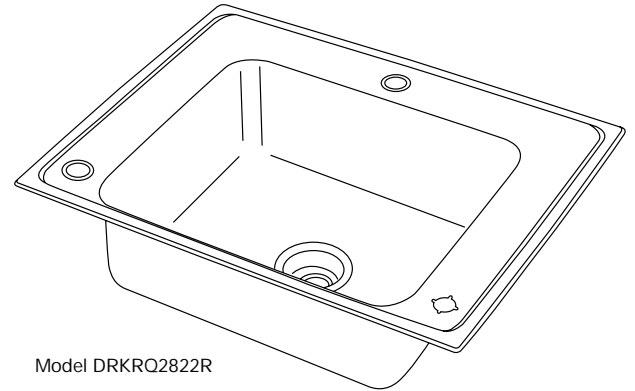
NOTE: Unless otherwise specified, sink is furnished with 3 faucet holes as shown.

SINK DIMENSIONS (INCHES)*

Model Number	Overall		Inside Each Bowl			Cutout in Countertop (1 1/2" Radius Corners)		3 1/2" Drain Opening (see above for details)	Minimum Cabinet Size	Ship. Wt. Lbs.
	L	W	L	W	D	L	W			
	A	B	C	D	E	L	W			
DRKRO Series										
DRKRO2822L	28	22	19	16	7 5/8	27 3/8	21 3/8	Centered	30	16
DRKRO2822R	28	22	19	16	7 5/8	27 3/8	21 3/8	Centered	30	16
DRKADQ Series										
DRKADQ2822L	28	22	19	16	**	27 3/8	21 3/8	Off-Centered	30	16
DRKADQ2822R	28	22	19	16	**	27 3/8	21 3/8	Off-Centered	30	16

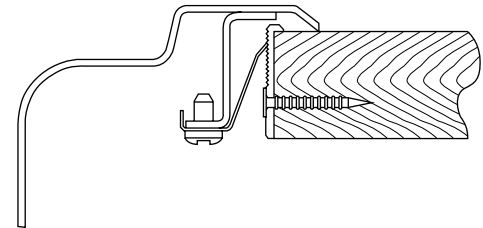
* Length is left to right. Width is front to back.

** Available in 5-1/2", 6" and 6-1/2" depths. Please consult your sales representative for other depths or modifications.



Model DRKRO2822R

Quick-Clip® Mounting System



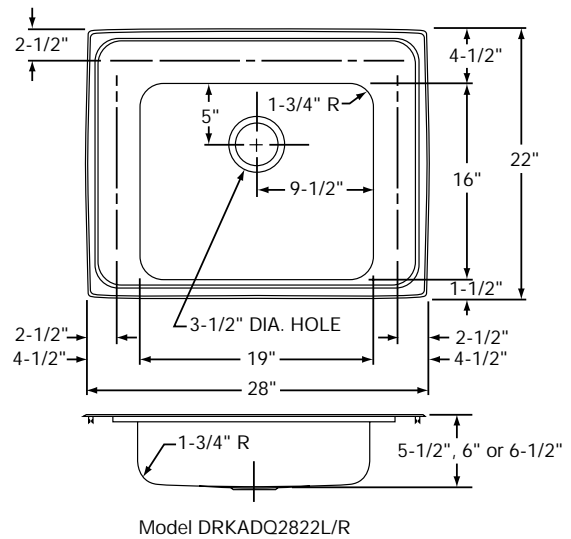
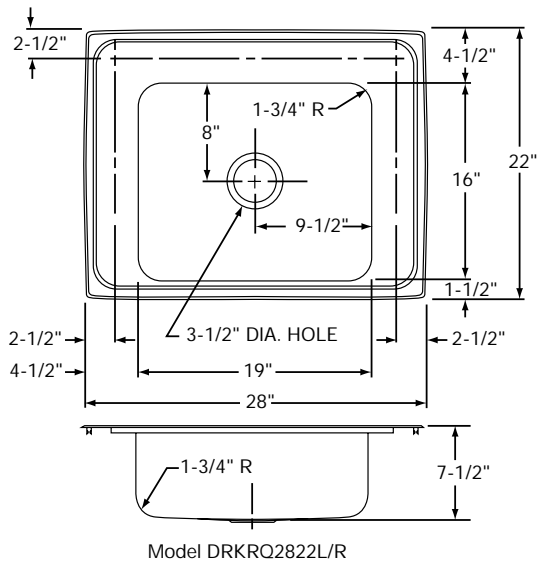
SEE OTHER SIDE FOR PRODUCT DIMENSIONS.

THIS PRODUCT, AS CONSTRUCTED IS SUBJECT TO INTERPRETATION OF A.D.A. REQUIREMENTS.
THE UNOBSTRUCTED KNEE SPACE REQUIRED TO SATISFY A.D.A. STANDARDS MAY NOT BE DESIRABLE.

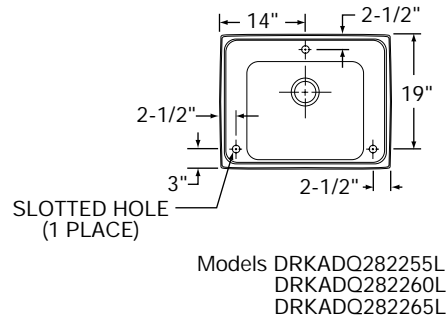
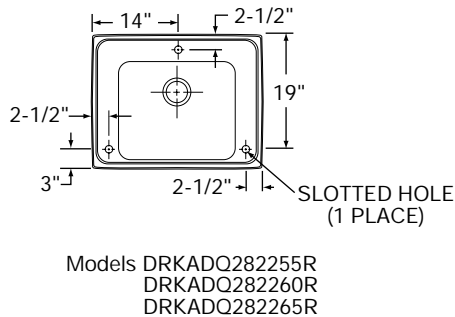
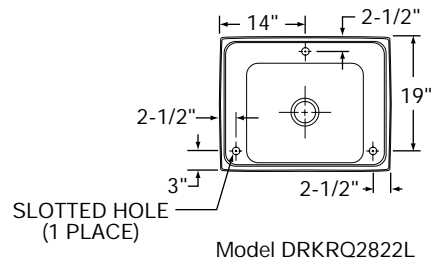
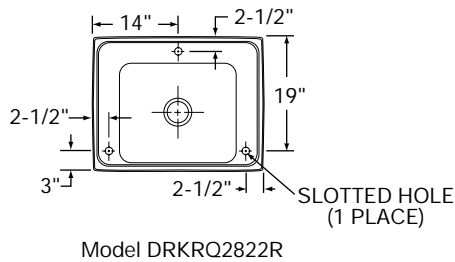
ALL DIMENSIONS IN INCHES, TO CONVERT TO MILLIMETERS MULTIPLY BY 25.4.

In keeping with our policy of continuing product improvement, Elkay reserves the right to change product specifications without notice.

This specification describes an Elkay product with design, quality and functional benefits to the user. When making a comparison of other producers' offerings, be certain these features are not overlooked.



HOLE CONFIGURATIONS



Slotted Faucet
 and Bubbler Hole

ALL DIMENSIONS IN INCHES, TO CONVERT TO MILLIMETERS MULTIPLY BY 25.4.