

ELKAY® SPECIFICATIONS

Lustertone® Single Bowl Triple Ledge Sink and Sink Packages Models DRKR(Q)2822 Series and DRKAD(Q)2822 – A.D.A. Compliant Series Sinks

GENERAL

Lustertone sink with triple ledge. Highest quality sink bowl seamlessly formed of #18 gauge, type 304 (18-8) nickel bearing stainless steel. Self-rimming.

DESIGN FEATURES

DRKR(Q) Bowl Depth: 7-5/8".

DRKAD(Q) Bowl Depths: 5-1/2", 6" or 6-1/2".

Coved Corners: 1-3/4" vertical and horizontal radius.

Bowl and Faucet Deck Recess: 3/16" below outside edge of sink.

Finish: Exposed surfaces are hand blended to a lustrous highlighted satin finish.

Underside: Fully undercoated to dampen sound and prevent condensation.

CLASSROOM/INSTITUTIONAL SINK PACKAGES

Models DRKR2822LC/RC and DRKAD2822LC/RC feature a durable stainless steel work sink, faucet and No Lead Flexi-Guard® Bubbler.

DRKR2822LC/RC Sink Packages include:

- (1) **LKE413945RS** Single-lever faucet with hi-arc contemporary style restricted swing spout faucet. Spout height 10"; Reach 6-1/2".
- (1) **LKE1141A** No Lead Flexi-Guard® Bubbler. Pushbutton valve design bubbler meets ANSI and ADA requirements. Designed so that water never comes in contact with lead-containing materials. Flexi-Guard safety bubbler flexes on impact to prevent accidental injury when getting a drink. Built-in adjustable water volume control.

(1) **LK35** Duo strainer.

DRKAD2822LC/RC Sink Packages include:

- (1) **LKE413945RS** Single-lever faucet with hi-arc contemporary style restricted swing spout faucet. Spout height 10"; Reach 6-1/2".
- (1) **LKE1141A** No Lead Flexi-Guard® Bubbler. Pushbutton valve design bubbler meets ANSI and ADA requirements. Designed so that water never comes in contact with lead-containing materials. Flexi-Guard safety bubbler flexes on impact to prevent accidental injury when getting a drink. Built-in adjustable water volume control.

(1) **LKAD35** Duo strainer with offset tailpiece.

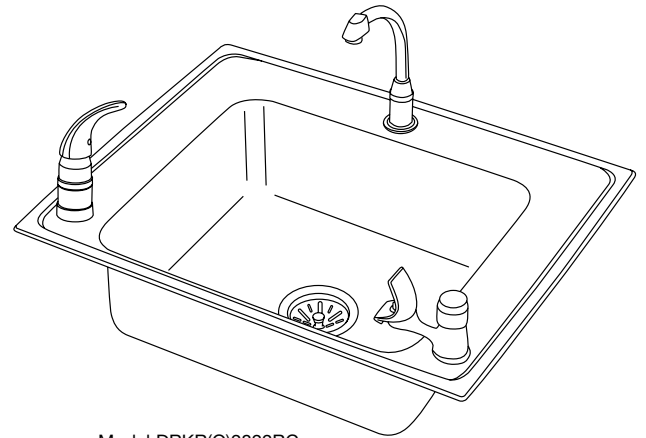
SINK DIMENSIONS (INCHES)*

U-Channel Model Number	Quick-Clip® Model Number	Overall		Inside Each Bowl			Cutout in Countertop (1/2" Radius Corners)		3 1/2" Drain Opening (see above for details)	Minimum Cabinet Size	Ship. Wt. Lbs.
		L	W	L	W	D	L	W			
DRKR2822LC/RC	–	28	22	19	16	7 5/8	27 3/8	21 3/8	Centered	33	23
†DRKR2822L	†DRKRQ2822L	28	22	19	16	7 5/8	27 3/8	21 3/8	Centered	33	16
†DRKR2822R	†DRKRQ2822R	28	22	19	16	7 5/8	27 3/8	21 3/8	Centered	33	16
DRKAD2822LC/RC	–	28	22	19	16	‡	27 3/8	21 3/8	Off-Centered	33	25
†DRKAD2822L	†DRKADQ2822L	28	22	19	16	‡	27 3/8	21 3/8	Off-Centered	33	16
†DRKAD2822R	†DRKADQ2822R	28	22	19	16	‡	27 3/8	21 3/8	Off-Centered	33	16

* Length is left to right. Width is front to back.

† Unless otherwise specified, all sinks which do not have suffix "C" are **less fittings** (no faucet, bubbler or drain), but are drilled for faucet, bubbler and drain as illustrated.

‡ Available in 5-1/2", 6" or 6-1/2" depths. Please consult your sales representative for other depths or modifications.



Model DRKR(Q)2822RC

OTHER

DRKR(Q)2822 Series drain opening is 3-1/2" and centered in bowl as illustrated.

DRKAD(Q)2822 Series drain opening is 3-1/2" and located centered left-to-right and off-centered front-to-back as illustrated.

Suffix "L" (left) and "R" (right) denotes location of slotted hole side ledge. Slotted hole allows for vandal-resistant faucet and bubbler.

NOTE: Unless otherwise specified, sink is furnished with 3 faucet holes as shown.



Bubbler and faucet are classified by Underwriters Laboratories Inc. to **NSF/ANSI61** for residential use.

THIS PRODUCT, AS CONSTRUCTED IS SUBJECT TO INTERPRETATION OF A.D.A. REQUIREMENTS. THE UNOBSTRUCTED KNEE SPACE REQUIRED TO SATISFY A.D.A. STANDARDS MAY NOT BE DESIRABLE.

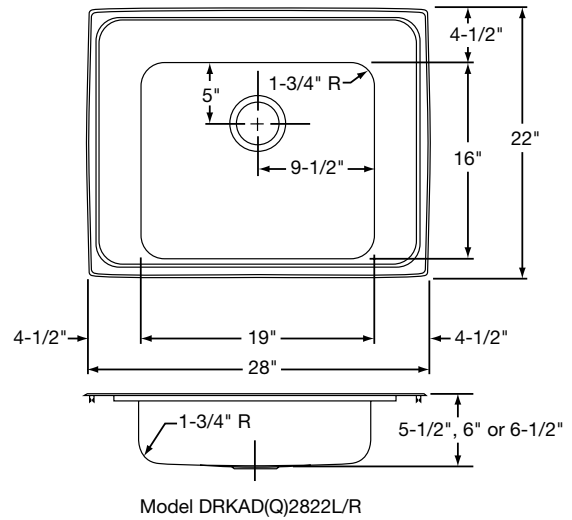
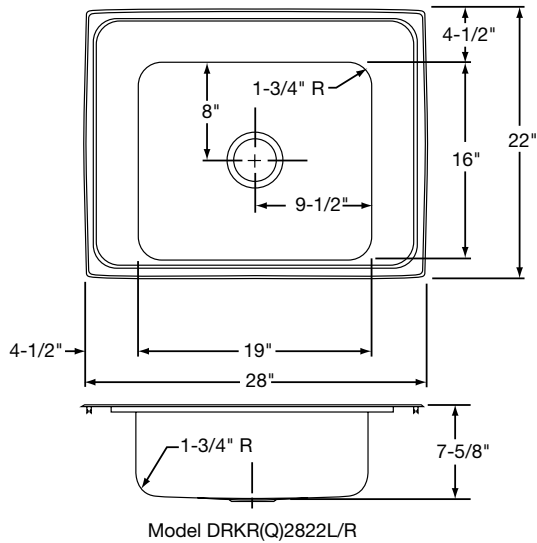
ALL DIMENSIONS IN INCHES, TO CONVERT TO MILLIMETERS MULTIPLY BY 25.4.

In keeping with our policy of continuing product improvement, Elkay reserves the right to change product specifications without notice.

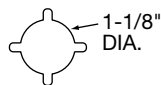
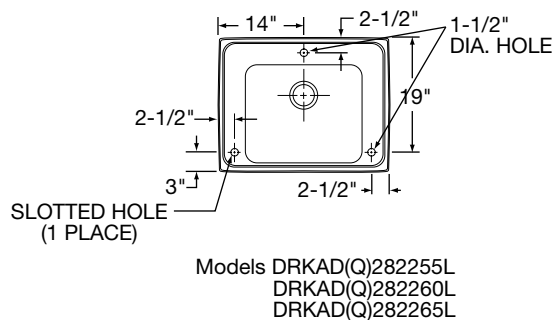
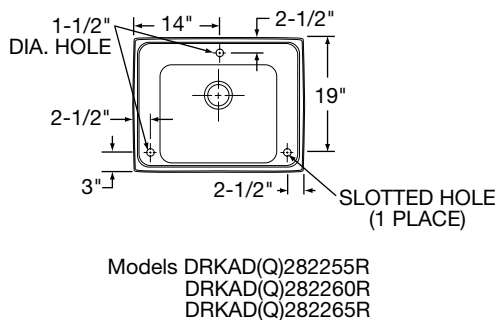
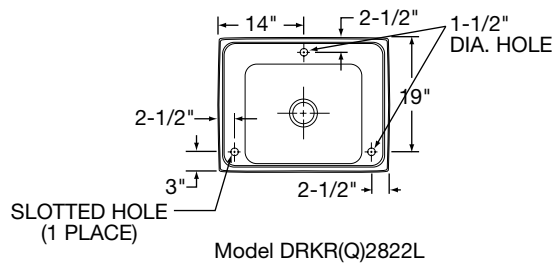
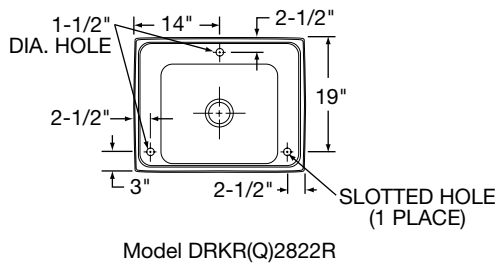
This specification describes an Elkay product with design, quality and functional benefits to the user. When making a comparison of other producers' offerings, be certain these features are not overlooked.

**Lustertone® Single Bowl Triple Ledge Sink
and Sink Packages
Models DRKR(Q)2822 Series and
DRKAD(Q)2822 – A.D.A. Compliant Series Sinks**

**ELKAY®
SPECIFICATIONS**

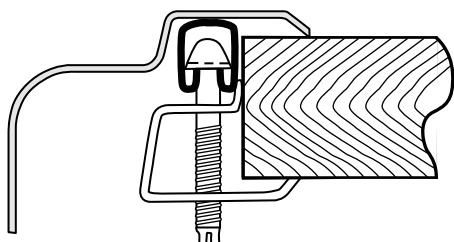


HOLE DRILLING CONFIGURATIONS



Slotted Hole

U-Channel Type Mounting System



Quick-Clip® Mounting System

