

SMS Flatscreen Mounts for Medium Weight Displays

by **DRAPER**

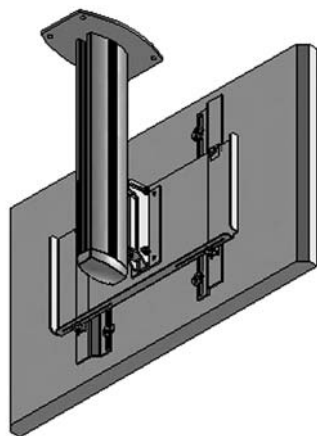
For displays smaller than 37" diagonal and weighing less than 66 lbs.



WM T



WM T2



CM ST400/800/
1200/1800



WM ST

Please Mark Appropriate Selections

Select Mount (See back side for details of each model):

- WM T Quantity _____
- WM T2 Quantity _____
- WM ST Quantity _____
- CM ST
 - CM ST400 Quantity _____
 - CM ST800 Quantity _____
 - CM ST1200 Quantity _____
 - CM ST1800 Quantity _____

Select Options

- M ST Kit Quantity _____

Specifications—SMS Flatscreen Medium Weight Mounts for Flat Panel Displays

SMS Flatscreen Medium Weight Mounts for displays smaller than 37" diagonal and weighing less than 66 lbs., model CM ST400/CM ST800/CM ST1200/CM ST1800/WM T/WM T2/WM ST, by Draper, Inc., of Spiceland, Indiana.

Universal mounting bracket or universal arms shall be provided to match LCD-TFT Flat Panel Displays with VESA® 75 x 75 mm, 100 x 100 mm, 100 x 200 mm, or 200 x 200 mm mounting hole spacing, or maximum hole mounting pattern of 330 mm (vertical) x 420 mm (horizontal). Bracket slides into steel mating bracket on wall supports for easy, safe and sturdy mounting. Hardware for mounting universal bracket arms to Flat Panel Display provided by Draper; hardware for attaching mount to wall supplied by others. M ST kits required for each additional display. Silver finish.

CM ST400/800/1200/1800: Column shall securely attach to ceiling with steel ceiling plate (provided). Installer shall provide mounting hardware appropriate to ceiling conditions. Can hold up to four total displays depending on display sizes and length of mount. Displays can be placed back to back. Display can be tilted up to 12 degrees and rotated up to 15 degrees side to side. Each CM ST ceiling mount includes one M ST kit for mounting one display. Additional M ST kits required for each additional display. Silver finish/black accents. Maximum weight capacity 66 lbs.

WM T: Universal wall mount shall be of aluminum construction, with silver finish, and shall be compatible with VESA® 75 x 75 mm, 100 x 100 mm, 100 x 200 mm, or 200 x 200 mm mounting hole spacing, or maximum hole mounting pattern of 330 mm (vertical) x 420 mm (horizontal). Can be mounted to single wall stud/support. Puts back of screen less than 1½" from wall. 15° forward tilt. For LCD-TFT Flat Panel Displays up to 37" diagonal. Universal mounting arms built in. Flange screws lock bottom edge of universal arms in position. Maximum weight capacity 66 lbs.

WM T2: Universal wall mount shall be of steel construction. Back of display is only 1½" from wall surface. Display can be tilted up to 10 degrees. Mounts to two wall studs/supports spaced at 16" on center. Silver finish. Universal bracket built in, no additional bracket required.

WM ST: Universal mount places back of display only 3¼" from wall surface. Display can be tilted up to 12 degrees and rotated approximately 20 degrees side to side. Silver finish. Universal bracket built in, no additional bracket required. Maximum weight capacity 66 lbs.

Options:

M ST Kit: Needed when adding additional displays to CM ST ceiling mounts. One M ST kit needed for each display. Includes tilt and swivel feature to tilt display up to 12 degrees and rotate display approximately 15 degrees side to side. Also includes M Universal Bracket to attach display. Silver finish.

DRAPER

411 S. Pearl St., Spiceland, IN 47385 USA ■ 765-987-7999

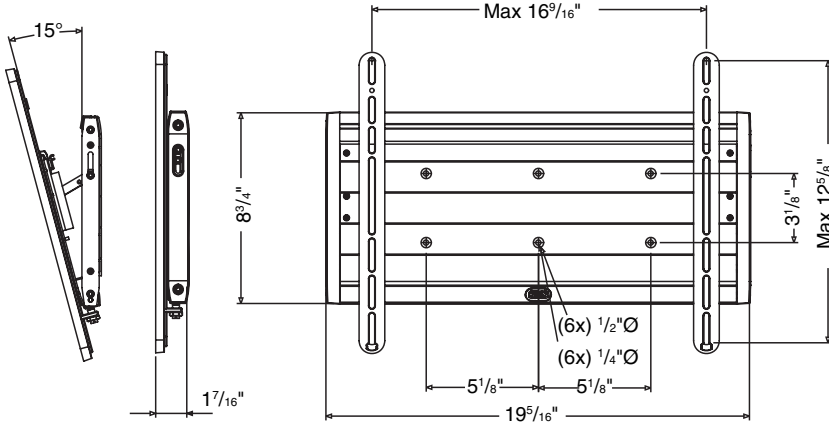
www.draperinc.com ■ fax 765-987-7142

Copyright © 2007 Draper Inc. Form SMSFlatscreen-Medium_Sub07-R Printed in U.S.A.

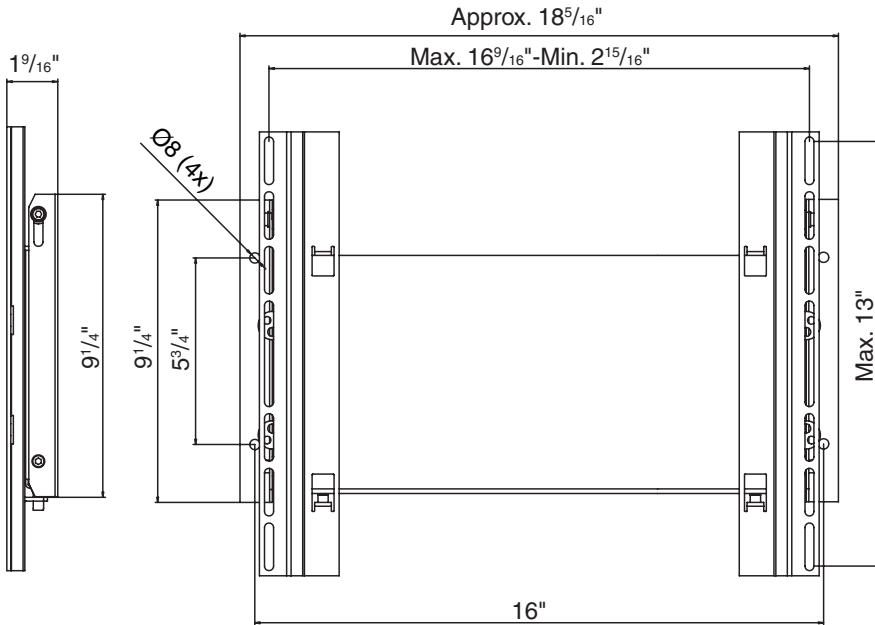
PROJECT:	_____
ARCHITECT:	_____
CONTRACTOR:	_____
SUPPLIER:	_____
DATE:	_____ REVISED: _____

Dimensions

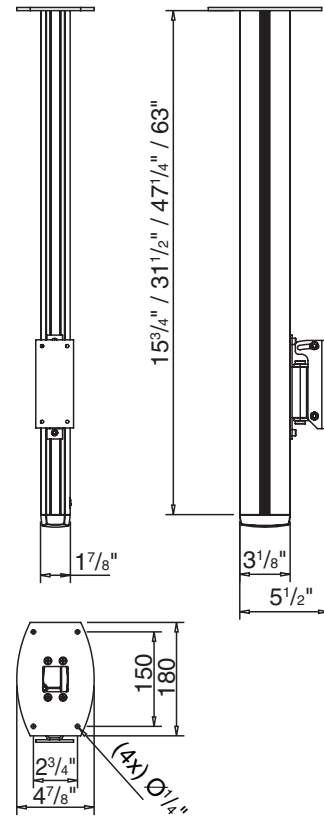
WMT



WMT2



CM ST400/800/
1200/1800



WM ST

