

**Celebrity Double Bowl
20 Gauge - Type 302 - Self Rim
Model CR-3322**



SPECIFICATIONS

GENERAL

Good quality Celebrity double bowl sink is seamlessly drawn of #20 gauge, type 302 (18-8) nickel bearing stainless steel. Self-rimming.

DESIGN FEATURES

Bowl Depth: 7".
Coved Corners: 3" vertical radius, 2-1/4" horizontal radius.
Bowl and Faucet Deck Recess: 3/16" total recess below outside edge of sink.
Finish: Exposed surfaces are machine polished to a highlighted bright finish.
Underside: Fully undercoated to prevent condensation and deaden sound.

OTHER

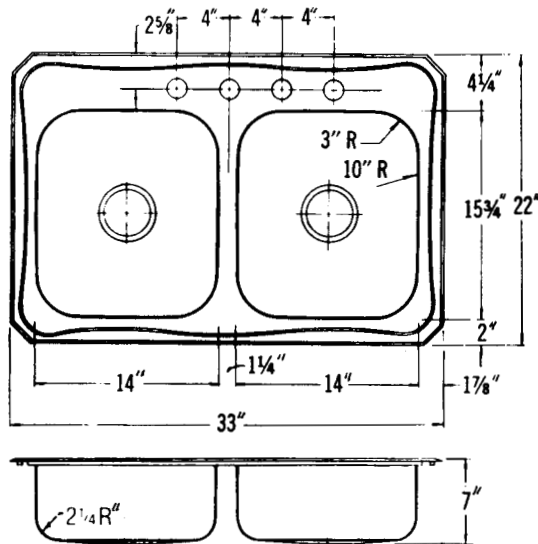
Drain opening: 3-1/2".
Faucet Holes: 1, 2, 3, 4 or 5 holes as indicated, 4" center to center.
Note: Unless otherwise specified, sink is furnished with four faucet holes as shown.



Model CR-3322-4 Shown

SINK DIMENSIONS

Model Number	DIMENSIONS IN INCHES					Cutout In Counter Top		No. of 1 1/2" Dia. Faucet Holes	Ship. Wt. Lbs.
	Length is left to right. Width is front to back.					(1 1/2" Radius Corners)			
	Overall		Inside Each Bowl			L	W		
CR-3322	33	22	14	15 3/4	7	32 3/8	21 3/8	1, 2, 3, 4 or 5	15 1/2



Model CR-3322-4 Illustrated

ALL DIMENSIONS IN INCHES. TO CONVERT TO MILLIMETERS MULTIPLY BY 25.4

In keeping with our policy of continuing product improvement, Elkay reserves the right to change product specifications without notice.

This specification describes an Elkay product with design, quality and functional benefits to the user. When making a comparison of other producers' offerings, be certain these features are not overlooked.