

### GENERAL

Elite Gourmet Sink can be customized with optional backsplash, faucet, cabinet or front panel and towel bar.

### SINK DESIGN FEATURES

Material: Hand fabricated and finished from professional grade Type 304 stainless steel: 16 gauge sink deck with 18 gauge bowls.  
Length: Standard 48".

Bowl Depth: 7-1/2" Left and Right, 5-1/8" Center Disposer.

Coved Corners: 1-3/4" Horizontal and 3" Vertical Radius.

Outer edge of sink has a 5/32" raised rim.

Underside: Fully protected by heavy duty Sound Guard™ under-coating to prevent condensation and deaden sound.

Hand blended and finished stainless steel surface featuring a highlighted inside top bowl radius.

Drain Fittings: (3) LK99 drains included.

Choice of front treatment: Bullnose or Square. Square front comes with towel bar mounting holes.

Sinks come standard with backsplash mounting holes. Specify "WB" suffix to order without.

**Backsplash:** For design features, reference specification sheet EG-5.

**Cabinet:** For design features, reference specification sheet EG-4.

**Front Panel:** Included with cabinet. If cabinet is not required, front panel is available as a separate component. Reference specification sheet EG-4.

**Towel Bar:** Choice of chrome or chrome with gold accent finish. Attached to front panel when combined with bullnose front treatment sinks. With square front treatment sinks, towel bar is attached to sink and not to the front panel.

**Faucets:** For design features, reference specification sheets, EG-7 and EG-8.

### OPTIONAL ACCESSORIES

LKH180/190 Series Instant Hot Water Dispensers

LK2156 Series Instant Cold Water Dispensers

ERS1 Remote Chiller

LK313 Series Soap Dispensers

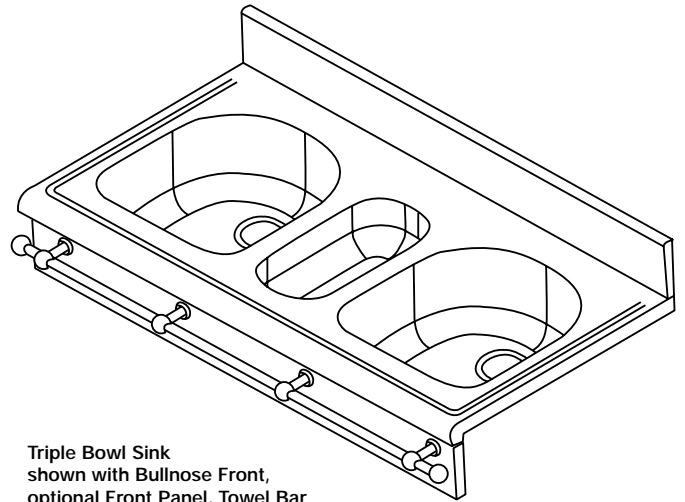
LKRB1611 and LKRB715 Rinse Baskets

CB816 Cutting Board

### SINK DIMENSIONS (INCHES)\*

Model Number	Overall		Right Bowl			Center Bowl			Left Bowl			Front Treatment	Fits Cabinet Base	No. of 1-1/2" Dia. Faucet Holes. 2 Hole at 8" Centers, 3 and 4 Hole at 4" Centers. 0 Hole Std. w/ 2" Backsplash
	L	W	L	W	D	L	W	D	L	W	D			
4826EGTB	48	26	16	17 1/2	7 1/2	7 1/2	15 3/4	5	16	17 1/2	7 1/2	2" Bullnose	48"	0, 2, 3 or 4
4826EGTS	48	26	16	17 1/2	7 1/2	7 1/2	15 3/4	5	16	17 1/2	7 1/2	2" Square	48"	0, 2, 3 or 4

\*Length is left to right. Width is front to back.

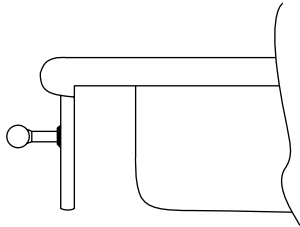


Triple Bowl Sink shown with Bullnose Front, optional Front Panel, Towel Bar and Rectangular 3/4" Backsplash

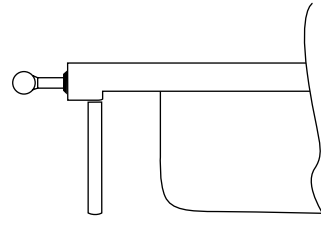
ALL DIMENSIONS IN INCHES, TO CONVERT TO MILLIMETERS MULTIPLY BY 25.4.

*In keeping with our policy of continuing product improvement, Elkay reserves the right to change product specifications without notice.*

**FRONT TREATMENT PROFILE FOR TOWEL BAR OPTIONS**

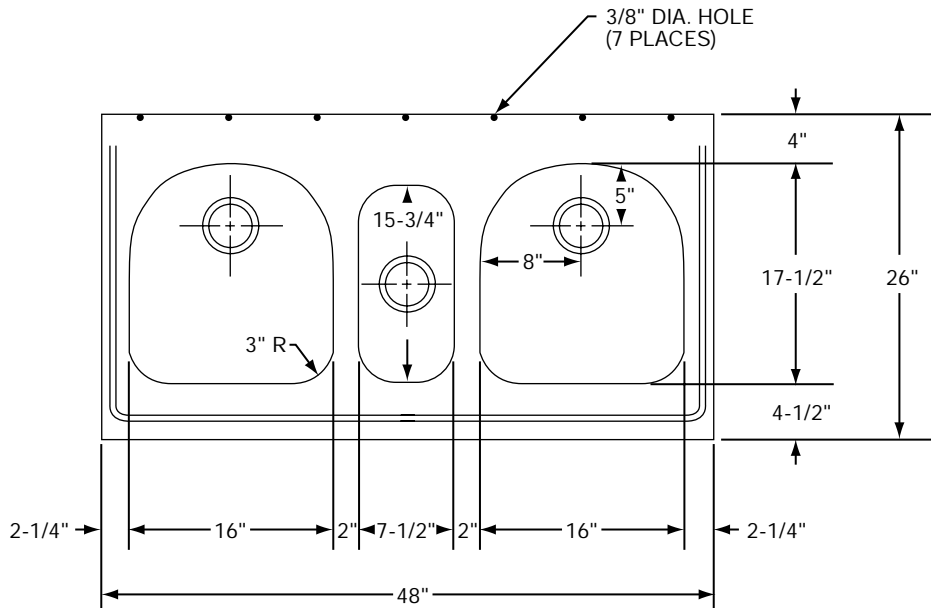


**Bullnose Front Treatment**  
 shown standard with optional  
 Towel Bar attached to front panel.

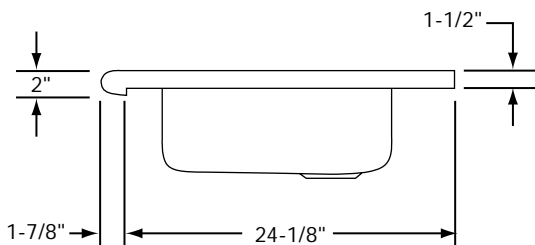


**Square Front Treatment**  
 shown standard with optional  
 Towel Bar attached to sink.

**TRIPLE BOWL TOP VIEW**



**BULLNOSE FRONT TREATMENT**



**SQUARE FRONT TREATMENT**

