

DESCRIPTION

3.9" Square Adjustable Accent MR16 trim. For use with Armstrong® TechZone™ Ceiling products.

Trim face has Armstrong White finish with flat black internal finish

Catalog #	Type
Project	
Comments	
Prepared by	Date

SPECIFICATION / FEATURES

A...Housing

All aluminum construction with 18" of flexible conduit attached to a cylindrical transformer/wiring enclosure. Mounting hardware suited for TechZone™ ceilings exclusively.

B...Trim:

3.9" o.d. square adjustable accent trim. Finished in Armstrong® white.

C...System Protection:

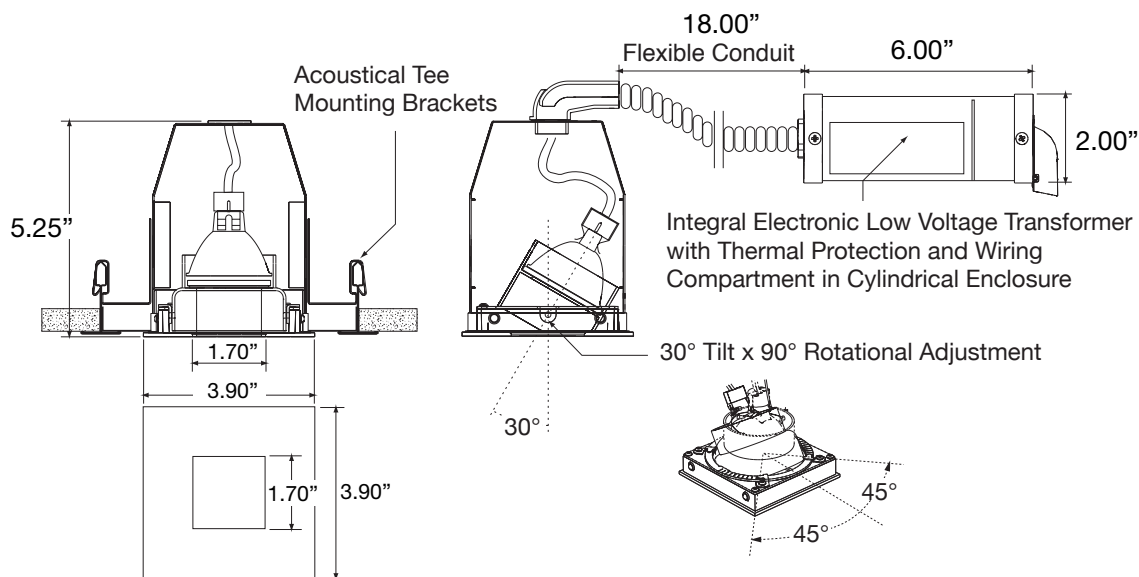
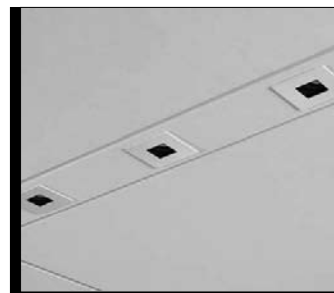
Thermal protection inside housing. Vent holes in housing provide cooler operation. All aluminum construction provides overall reduced temperatures.

D...Electrical

Electronic transformer housed in a separate metal enclosure. Enclosure includes a separated wiring compartment and entry for primary leads.

E...Lamp

12V MR16 50 watts max. (not included)
"POSI-GRIP" bi-pin lamp socket for firm, mechanical lamp connection. Can accept up to two (2) optical accessories.



**MINI
ACCURUS**
Armstrong® TechZone™
Compatible

TZ5103
**3.9" Square
Adjustable Trim**
FOR 12V MR16 50 watts max.

ORDERING INFORMATION

TZ5103

TZ5103

3.9" Square Adjustable Accent Trim with 1.7" Square Opening.
Includes Housing with Integral Electronic Transformer and J-box - Armstrong White finish with flat black internal finish
12V MR16 50W max.