

## DESCRIPTION

3.9" Square Downlight MR16 trim. For use with Armstrong® TechZone™ Ceiling products.

Trim face has Armstrong White finish with flat black internal finish

<b>Catalog #</b>	<b>Type</b>
<b>Project</b>	
<b>Comments</b>	
<b>Prepared by</b>	<b>Date</b>

## SPECIFICATION / FEATURES

### A...Housing

All aluminum construction with 18" of flexible conduit attached to a cylindrical transformer/wiring enclosure. Mounting hardware suited for TechZone™ ceilings exclusively.

### B...Trim:

3.9" o.d. square downlight trim. Finished in Armstrong® white.

### C...System Protection:

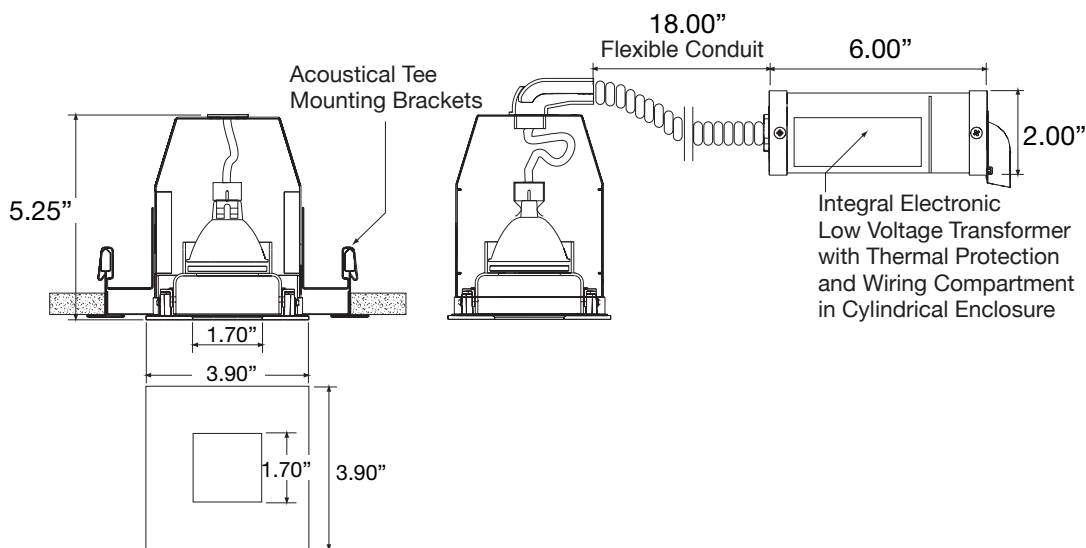
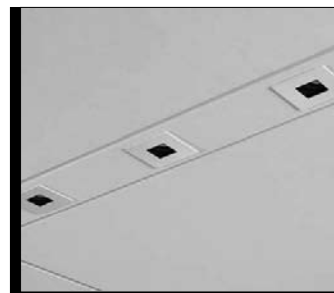
Thermal protection inside housing. Vent holes in housing provide cooler operation. All aluminum construction provides overall reduced temperatures.

### D...Electrical

Electronic transformer housed in a separate metal enclosure. Enclosure includes a separated wiring compartment and entry for primary leads.

### E...Lamp

12V MR16 50 watts max. (not included)  
"POSI-GRIP" bi-pin lamp socket for firm, mechanical lamp connection. Can accept up to two (2) optical accessories.



**MINI  
ACCURUS**  
Armstrong® TechZone™  
Compatible

**TZ5101**  
**3.9" Square  
Downlight**  
FOR 12V MR16 50 watts max.

## ORDERING INFORMATION

**TZ5101**

### TZ5101

3.9" Square Fixed Downlight Trim with 1.7" Square Opening  
Includes Housing with Integral Electronic Transformer and  
J-box - Trim face has Armstrong White finish with flat black  
internal finish 12V MR16 50W max.