

## DESCRIPTION

An adjustable Single-lamp Recessed fixture with a 0.75" trim flange suitable for downlighting and accent applications. Utilizes ONE (1) PAR30 120V lamp.

For new construction applications. Insulation must be kept 3" from all sides and at least 1" above the housing.

<b>Catalog #</b>		<b>Type</b>
<b>Project</b>		
<b>Comments</b>		<b>Date</b>
<b>Prepared by</b>		

## SPECIFICATION FEATURES

### A... Housing

Housing, junction box & trim assembly are all steel construction. Fixture utilizes a removable trim sleeve to provide a 0.75" flange around the ceiling opening and to help conceal the inner hardware of the fixture from sight below the ceiling. Can accommodate 0.50" to 1.25" ceiling thickness. Optional Chicago Plenum configuration available.

### B... System Protection:

Thermal protection provided to guard against overheating and misuse of insulation over and around fixture. Vent holes in housing provide cooler operation.

### C... Junction Box

Junction Box is UL listed for through branch wiring, 6 #12 90° C supply conductors or 60° C for end of run. The fixture

is also UL listed as 'access above ceiling not required'.

### D... Electrical

Electrical accessible through ceiling opening. J-Box located on the side wall of the housing behind removable access doors. Electrical components on individually removable "trays" for easy maintenance.

### E... Lamps

One (1) PAR30 120V lamp mounted in adjustable double gimbal. Lamp holder is individually removable and may be recessed 1" for additional cut-off. Lamp can accept up to three optical accessories (*i.e. lens + hex louver + snoot*). 45° x 45° locking lamp adjustment. Beveled-edge lamp ring is secured with threadless, bayonet action. Optional retractable arm is available

for lamp pull-down and extreme aiming. Includes med. base socket.

### F... Mounting

Butterfly Brackets accept 1/2" EMT, C Channel, Tbar fasteners, and bar hangers. Four tabs on housing for securing to structure.

### G... Labels

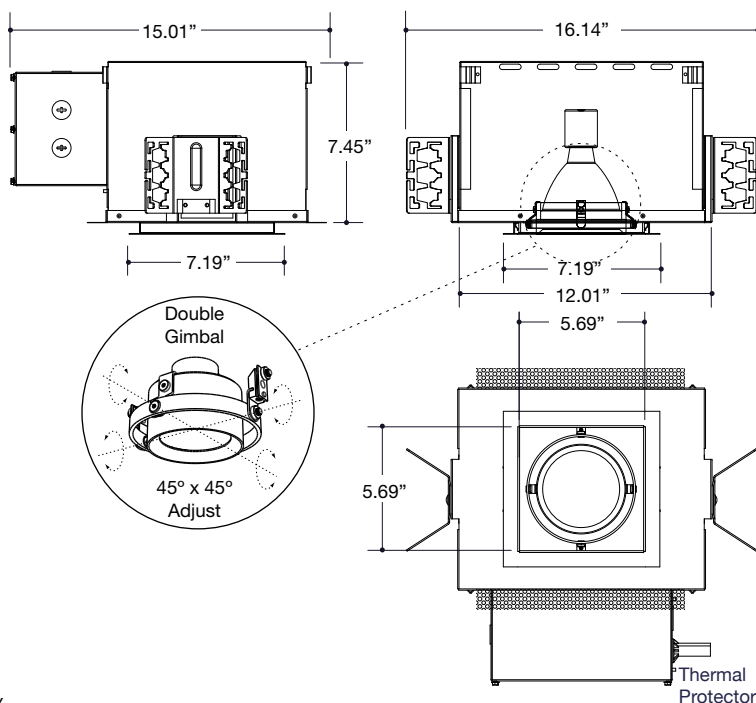
cULus listed for non-type IC applications, suitable for use in damp locations.

Ceiling Cut-Out: 6.49" x 6.49"

## COMBOLIGHT® Next Generation Recessed Single-Lamp Fixture

One (1) Light  
PAR30 120V

New Construction  
Housing  
w/ 0.75" Trim Flange



For use with PAR30 120V lamps 75W max.

## ORDERING INFORMATION



<b>C1</b>		<b>N</b>	<b>120</b>	<b>T</b>		
<b>Configuration</b> C1 = COMBOLIGHT Recessed One (1) Light	<b>Lamp Type / Wattage Label</b> 075P30 = 75 Watt max. PAR30 120V	<b>Primary Voltage</b> 1 = 120V	<b>Lamp Mechanism</b> G = Double Gimbal R = Retractable Double Gimbal	<b>Trim Finish</b> W = White B = Black S = Industrial Silver	<b>Housing</b> N = New Construction C = Chicago Plenum	<b>Power Supply</b> N = None - Line Voltage Lamp
		<b>Trim Flange</b> T = 0.75" Trim Flange	<b>Housing Interior/Electrical Door/Sleeve Finish</b> W = White B = Black S = Industrial Silver			