

COOPER LIGHTING - SURE-LITES®



UMB SERIES

Wet Location

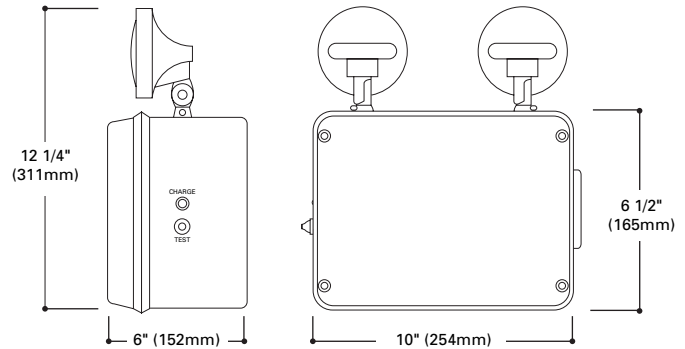
EMERGENCY LIGHTING

- NEMA 4X
- Dual-voltage input 120/277VAC, 60Hz
- Grey fiberglass housing
- Two top mounted, fully adjustable, grey, high-impact thermoplastic heads standard
- Glare-free lens with PAR36 sealed beam lamps
- Watertight and corrosion resistant
- Wet location listed (32°F or 0°C and above)
- Gasketed, internally hinged front cover
- Remote capability
- Line-latching, Solid-State voltage limited charger, Solid-State switching, low-voltage disconnect, brownout circuit, overload/short-circuit protection, test switch/power indicator light
- UL 924 Listed, Life Safety NFPA 101, NEC/OSHA, most state and local codes

DESCRIPTION

The ideal unit for wet environments where an emergency lighting unit will be exposed to water spray, penetrating steam, or dampness. The UMB Series is best suited for use in areas like waste water treatment plants, food processing facilities and most industrial applications.

DIMENSIONS



ELECTRICAL RATINGS

Model	Rated Wattage to 87 1/2% of Rated D.C. Voltage						Lamp Information		
	DC Voltage	Battery	1 1/2 Hours	2 Hours	3 Hours	4 Hours	Type	Wattage	Number
UMB1	6	LC	18	15	10	8	Incandescent	8	29-03
UMB6	6	LC	27	24	18	14	Incandescent	8	29-03
UMB7	6	LC	54	48	36	28	Incandescent	8	29-03
UMB8	12	LC	36	30	20	16	Halogen	8	29-16
UMB9	12	LC	54	48	36	28	Halogen	8	29-16
UMB14	6	NC	15	12	8	6	Incandescent	7.2	29-75
UMB15	6	NC	24	18	12	10	Incandescent	7.2	29-75
UMB16	12	NC	30	24	16	12	Halogen	8	29-16
UMB17	12	NC	48	36	24	20	Halogen	8	29-16

ORDERING INFORMATION

SAMPLE NUMBER: UMB6TH

Model Number	Options (add as Suffix)	Accessories (Order separately)
UMB1	TDM=Time Delay Monitor	WG7=Wire Guard
UMB6	TH=Thermal Heater	VS2WP=Polycarbonate Vandal/Weather Shield
UMB7	Alternate Lamps ⁽¹⁾	
UMB8	Other Options ⁽¹⁾	
UMB9		
UMB14		
UMB15		
UMB16		
UMB17		

Energy Data

Model No.	Input Current (Max.):	
	120V	277V
UMB1, UMB6, UMB7	.12A	.05A
UMB8, UMB9	.30A	.13A
UMB14	.06A	.03A
UMB15	.07A	.04A
UMB16	.13A	.06A
UMB17	.15A	.07A

⁽¹⁾ Consult your Cooper Lighting Representative.