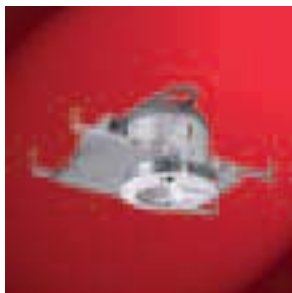


COOPER LIGHTING - SURE-LITES®



RG SERIES

Recessed Gimbal

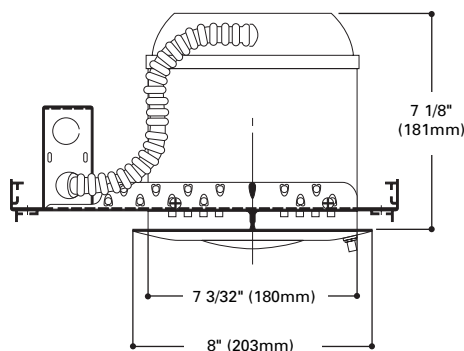
EMERGENCY LIGHT

- Dual-voltage input 120/277VAC, 60Hz
- Fixture illuminates upon loss of AC power (normally off)
- 20 gauge die-stamped steel housing
- Polycarbonate lens included
- Adjustable aiming angle 30°
- Hanger bars accommodate 24" spans
- Hanger bars can be rotated 90° on plaster frame
- Conduit knockouts, four 1/2" and two 3/4"
- Trim ring, with integral test switch, held in place with torsion springs
- Standard white trim ring and black gimbal ring
- Line-latching, Solid-State voltage limited charger, Solid-State switching, low-voltage disconnect, brownout circuit, overload/short-circuit protection, test switch/power indicator light
- UL 924 Listed, Life Safety NFPA 101, NEC/OSHA, CSA Certified, most state and local codes
- IC Rated

DESCRIPTION

Perfect for commercial or architectural applications where the aesthetics of a fully recessed unit are essential. The slim profile of the RG Series is ideal for low ceilings and blends inconspicuously with existing recessed installations. The gimbal mounted lamp provides directional aiming (optional white gimbal ring offers the perfect blend for suspended ceilings). The RG Series combines a high output sealed beam type lamp, sealed lead calcium battery and full feature Sure-Lites electronics.

DIMENSIONS



ELECTRICAL RATINGS - SEALED LEAD CALCIUM BATTERY

Model	DC Voltage	Rated Wattage to 87 1/2% of rated D.C. Voltage				Lamp Information		
		1 1/2 hours	2 hours	3 hours	4 hours	Type	Wattage	Number
RG1	6	10.8	7.2	-	-	Incandescent	9	29-84
RG2	6	27	24	-	-	Incandescent	25	29-09

ORDERING INFORMATION

SAMPLE NUMBER: RG1WH

Model Number	Options (Add as suffix)	Accessories (Order separately)
RG1	BK=Black Trim Ring/Black Gimbal Ring	WG1=Wire Guard
RG2	WH=White Trim Ring/White Gimbal Ring Alternate Lamps ⁽¹⁾ Other Options ⁽¹⁾	

Energy Data

Model No.	Input Current (Max.):	
	120V	277V
RG1	.12A	.05A
RG2	.12A	.05A

⁽¹⁾ Consult your Cooper Lighting Representative.