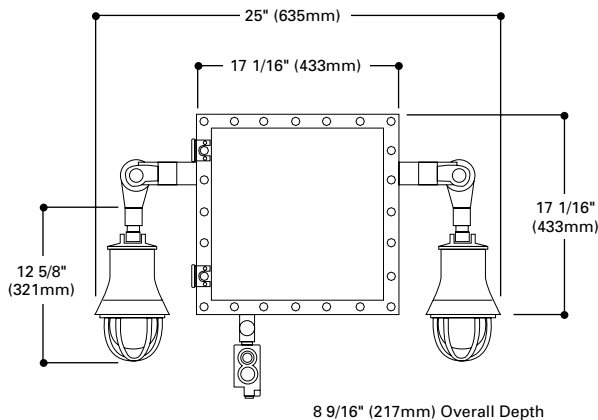


DIMENSIONS



DESCRIPTION

Sure-Lites' HZU1254 Series self-contained, explosion-proof, emergency lighting unit is intended for operation in NEC Class I, Division 1, Groups C, D, and Class II, Division 1, Groups E, F, G environments. The unit includes (2) 12V, 25W lamps and provides a solid-state, emergency lighting system for application in industrial and heavy-duty commercial facilities like petrochemical plants, drilling rigs, offshore platforms, coal mines and preparation facilities, textile mills, lumber yards, painting booths and gasoline stations.



HZU1254 SERIES

Hazardous Location

EMERGENCY LIGHTING

- Dual-voltage input 120/277VAC, 60Hz
- NEMA 4, copper-free aluminum housing and natural, textured die cast aluminum finish enclosure
- Lamp heads (two heads standard) contains one 12V, 25W DC medium base A-lamp
- Copper-free aluminum lamp housing and guard
- Sealed Lead Calcium Battery
- Watertight neoprene gasketing
- One-way breather and drain
- Explosion-proof
- Line-latching, Solid-State voltage limited charger, Solid-State switching, low-voltage disconnect, brownout circuit, overload/short-circuit protection, test switch/pilot light
- UL 924 Listed, Life Safety NFPA 101, NEC Class I, division 1, Groups C, D and Class II, Division 1, Groups E, F, G, OSHA, most state and local codes

ELECTRICAL RATINGS

Model	Rated Wattage to 87 1/2% of Rated D.C. Voltage				Lamp Information			
	DC Voltage	1 1/2 Hours	2 Hours	3 Hours	4 Hours	Type	Wattage	Number
HZU125425	12	54	-	-	-	Incandescent	25	ZZ13

ORDERING INFORMATION

SAMPLE NUMBER: HZU125425

Model Number	Accessories (Order separately)
HZU125425	12X25HWP=12V, 25W Pendant Mount Remote Head 12X25HWP=12V, 25W Bracket Mount Remote Head

Energy Data

Model No.	Input Current (Max.):	
	120V	277V
HZU125425	.32A	.15A

NOTES: Specifications and Dimensions subject to change without notice. ⁽¹⁾ Contains one single face exit and one UXUK