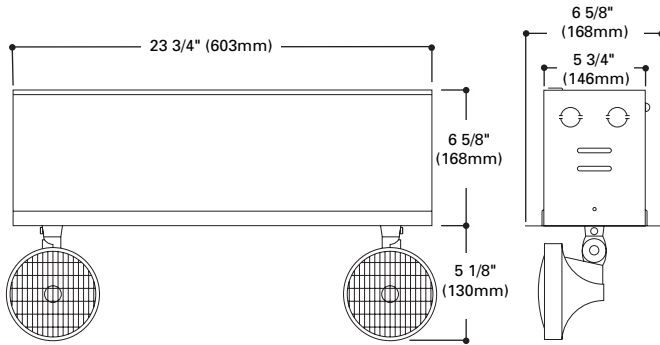


DIMENSIONS



DESCRIPTION

The GC Series combines a clean, sleek, contemporary appearance with state-of-the-art electronics. Specifically designed for initial and retrofit installations where a recessed unit is desired to maximize aesthetics. The unit is ideal for locations with limited wall space and where panoramic positioning is necessary for the ceiling mounted lampholders to provide proper light distribution. Ideal for stores, offices, hospitals and school corridors.



GC SERIES

**Recessed Housing
Suspended Ceiling**

EMERGENCY LIGHT

ELECTRICAL RATINGS

Model	Battery	Rated Wattage to 87 1/2% of rated D.C. Voltage					Lamp Information		
		DC Voltage	1 1/2 hours	2 hours	3 hours	4 hours	Type	Wattage	Number
GC15012	SLC	6	27	24	18	14	Incandescent	9	29-84
GC15022	SLC	6	54	48	36	28	Incandescent	9	29-84
GC15032	SLC	6	85	66	50	40	Incandescent	9	29-84
GC15042	SLC	12	36	30	20	16	Incandescent	9	29-86
GC15052	SLC	12	54	48	36	28	Incandescent	9	29-86
GC15122	SNC	6	15	12	8	6	Incandescent	7.2	29-88
GC15132	SNC	6	24	18	12	10	Incandescent	7.2	29-88
GC15142	SNC	6	48	36	24	20	Incandescent	7.2	29-88
GC15172	SNC	12	30	24	16	12	Incandescent	9	29-86
GC15182	SNC	12	48	36	24	20	Incandescent	9	29-86

SLC=Sealed Lead Calcium Battery
SNC=Sealed Nickel Cadmium Battery

ORDERING INFORMATION

SAMPLE NUMBER: GC15012CL

Model Number	Options (Add as suffix)	Accessories (Order separately)
GC15012	A=Ammeter	VK1 = Voltmeter
GC15022	CL=Cylinder Heads	WG12 = Wire Guard
GC15032	DR=Halogen Pinchback Designer Heads	WG17 = Wire Guard for use with CL heads
GC15042	SD=Self-Diagnostics (GC15012, GC15042, GC15052, GC15122, GC15132, GC15142, GC15172, GC15182, Only)	
GC15052	TDM=Time Delay Monitor	
GC15122	V=Voltmeter	
GC15132	Alternate Lamps ⁽¹⁾	
GC15142	Other Options ⁽¹⁾	
GC15172		
GC15182		

Energy Data

Model No.	Input Current (Max.):	
	120V	277V
GC15012, GC15022, GC15032	.12A	.05A
GC15042, GC15052	.30A	.13A
GC15122	.06A	.03A
GC15132	.07A	.04A
GC15142	.08A	.05A
GC15172	.13A	.06A
GC15182	.15A	.07A

- Dual-voltage input 120/277VAC, 60Hz
- 20 gauge die-formed steel housing with white powder coat finish
- Two high-impact, fully adjustable thermoplastic heads
- Knockout, conduit or cord set
- Flanged for mounting in grid-type suspended ceilings
- Above ceiling access required for maintenance
- Single modular electrical connector
- Remote Capability
- Line-latching, Solid-State voltage limited charger, Solid-State switching, low-voltage disconnect, brownout circuit, overload/short-circuit protection, test switch/power indicator light
- UL 924 Listed, Life Safety NFPA 101, NEC/OSHA, most state and local codes

⁽¹⁾ Consult your Cooper Lighting Representative.