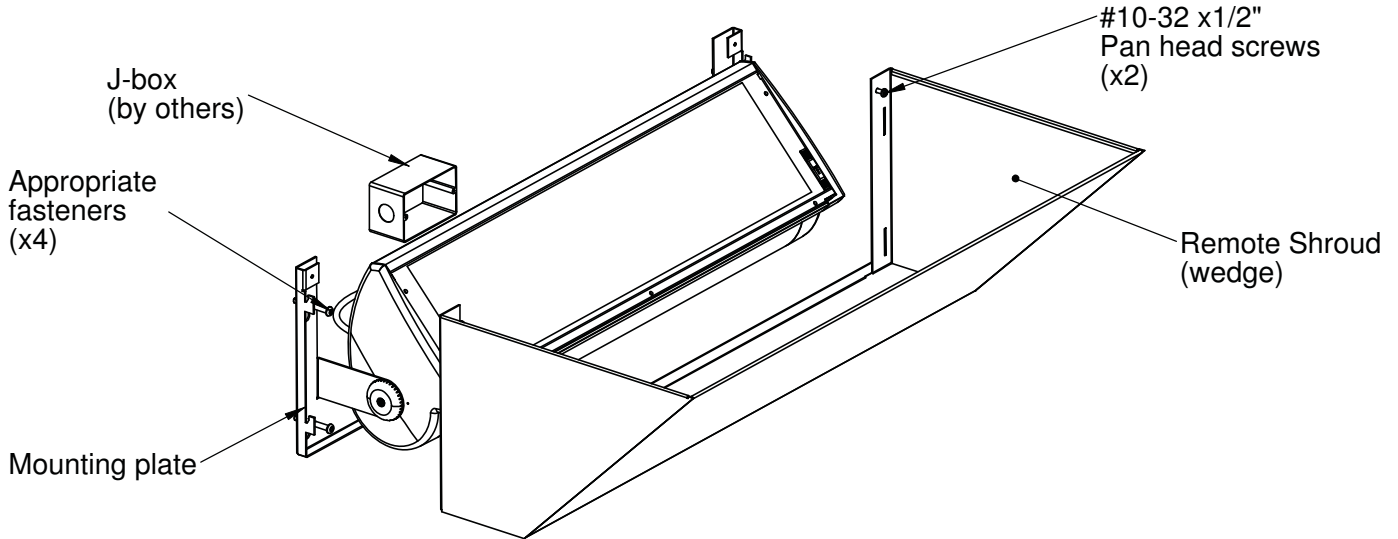


These installation instructions valid with the above Ametrix styles.

Large 22 1/2" INDOOR/OUTDOOR SSRxx
(Shroud, Remote)

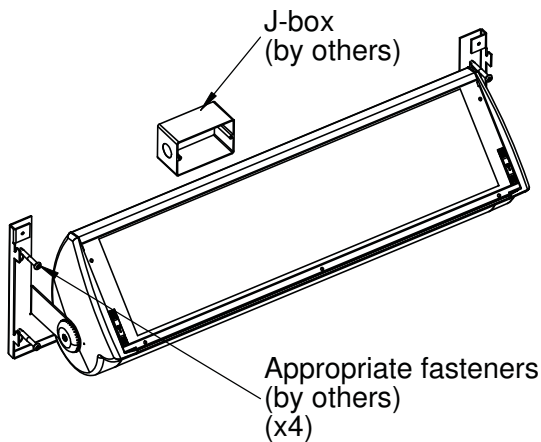
Warning: Before starting any work ensure that all sources of power are turned off. All work must meet local/national codes and be performed by a certified electrician.

Exploded View and Part Call-out



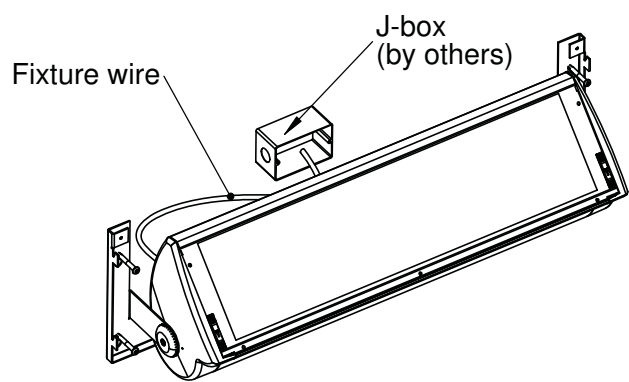
Attention:
Additional bracing/ structure may be required to support fixture.

1 Mounting Fixture to Surface

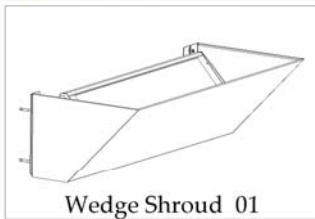


1. Using dimensions provided on page 2, secure fixture over j-box using appropriate fasteners.

2 Wiring Fixture



1. Depending on location, it may be easier to wire fixture prior to mounting. Attach appropriate wires and ensure all connections are properly matched.
2. Seal J-box (by others)



Wedge Shroud 01



Round Shroud 02



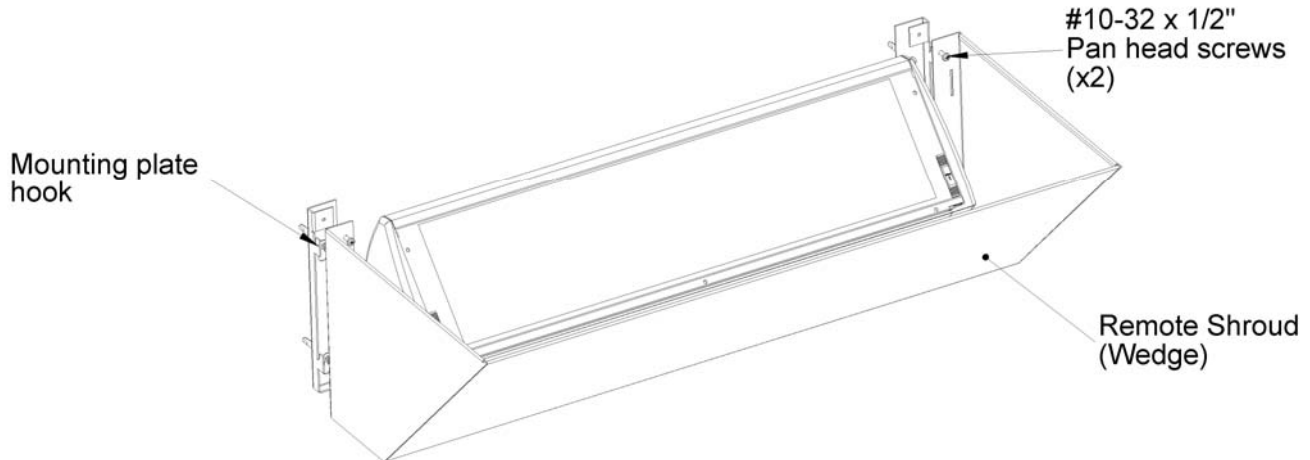
Square Shroud 03

These installation instructions are valid with the above Ametrix styles

Large 22 1/2" INDOOR/OUTDOOR SSRxx (Shroud, Remote)

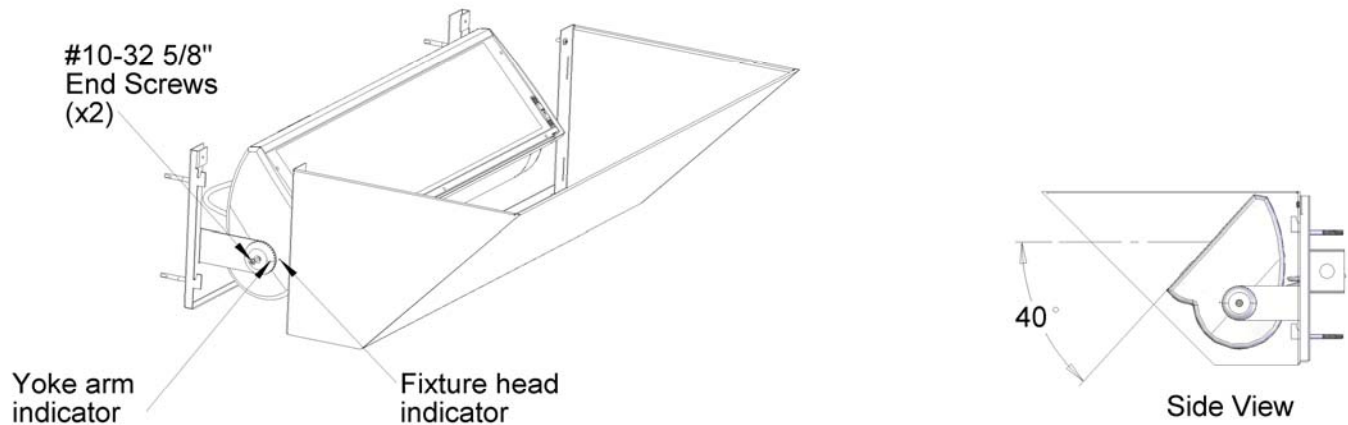
Warning: Before starting any work ensure that all sources of power are turned off. All work must meet local/national codes and be performed by a certified electrician. Do not mount fixtures vertically.

Securing Shroud to Fixture

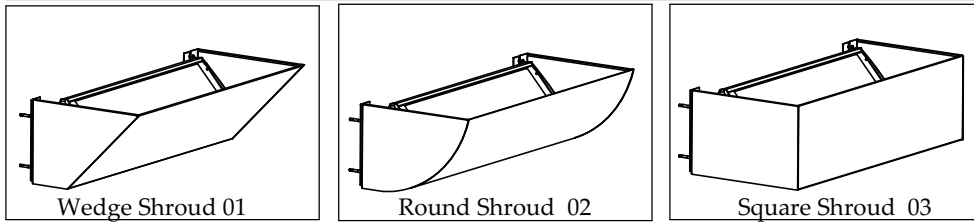


1. After wiring fixture and ensuring all connections have been properly matched, slide shroud over all four mounting plate hooks.
2. Secure shroud using both #10-32 x 1/2" pan head screws.

Aiming the Fixture



1. To aim fixture, loosen both #10-32 x 5/8" end screws. When the PointGrab™ system indicators are lined up, the slope of the lens face is 40-degrees. Each subsequent notch is an additional 10-degrees.
2. When the fixture head is adjusted to the desired angle, re-tighten end screws to secure the position.

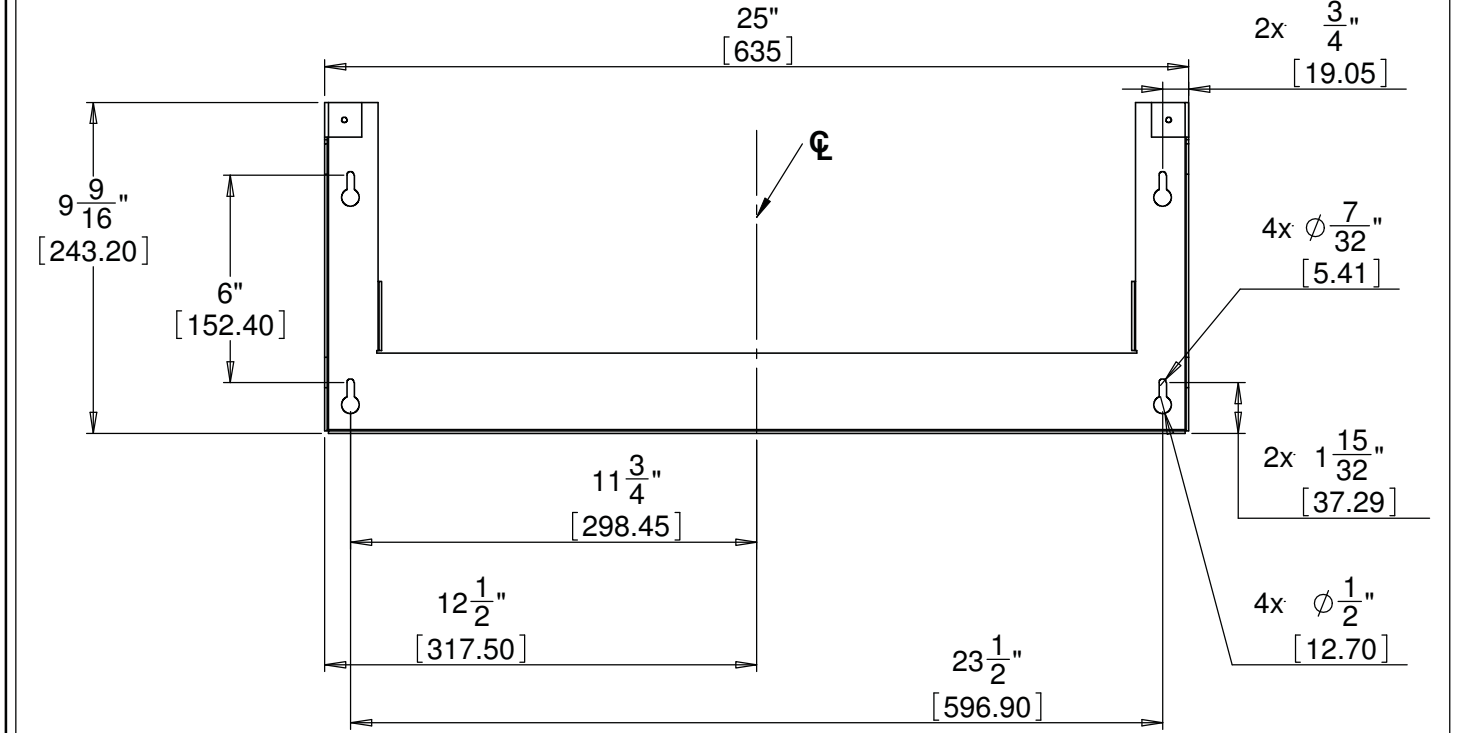


These installation instructions are valid with the above Ametrix styles

Large 22 1/2"
INDOOR/OUTDOOR
SSRxx
(Shroud, Remote)

Warning: Before starting any work ensure that all sources of power are turned off. All work must meet local/national codes and be performed by a certified electrician. **Do not** mount fixtures vertically.

Mounting Plate Dimensions (In and mm)



Lamping Size Chart
(lamps provided by others)

FIXTURE SIZE (inches/ mm)	WATTAGE	# OF LAMPS	LAMP TYPE	LAMP DESCRIPTION	LAMP (not to scale)
22 1/2 /571.5 mm	250 W	1	ET18	Metal Halide	
22 1/2 /571.5 mm	400 W	1	ET18	Metal Halide	
22 1/2 /571.5 mm	150 W	2	T6	Ceramic Metal Halide	
22 1/2 /571.5 mm	32 W	2	T4	Compact Fluorescent	
22 1/2 /571.5 mm	42 W	2	T4	Compact Fluorescent	
22 1/2 /571.5 mm	250 W	1	ET18	Metal Halide	
22 1/2 /571.5 mm	400 W	1	ET18	Metal Halide	
22 1/2 /571.5 mm	150 W	2	T6	Ceramic Metal Halide	
22 1/2 /571.5 mm	350 W	1	T3	Halogen(Double Ended)	
22 1/2 /571.5 mm	500 W	1	T3	Halogen(Double Ended)	