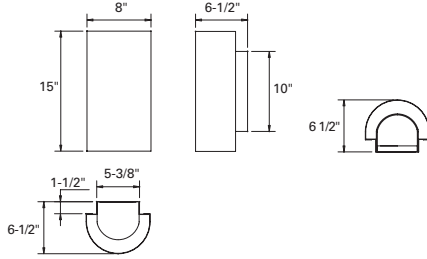


SHAPER™



676-WP SERIES

676-WP Floating Curved Shield Wall Sconce features bronze construction with a fully enclosed lamp compartment.



Sample Number: 676-WP-CFL/1/26-277V-GM

Series	Lamp	Voltage	Finish ^{2, 3}	Options
676-WP = Floating Curved Shield	CFL/1/26 CFL/1/32 INC/1/60	120V 277V ¹ 347V ¹	NBZ (standard), BK, BM, CC, DP, GM, GRM, GY, SCL, SM, SNL, VG, WH	ACB FCT

Notes:

- 1 Available with CFL only.
- 2 Premium TGIC polyester powder coat paint, 2.5 mil nominal thickness for superior protection against fade and wear.
- 3 Bronze will weather to a dark bronze patina.

MATERIAL

Solid bronze with open top, sides and bottom.

BALLAST

Integral electronic HPF, multi-volt 120/277V (347V Canada), thermally protected with end-of-life circuitry to accommodate the specified lamp wattage.

INSTALLATION

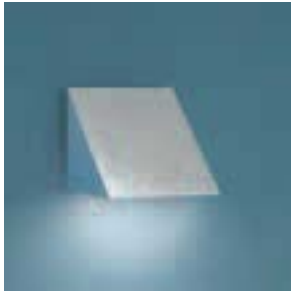
Supplied with a universal circular strap for a standard 4" J-box or stucco ring.

LAMP/SOCKET

One (1) 26W (G24q-3) quad CFL or 32W (GX24q-3) triple CFL lamp or one (1) 60W A-19 lamp. CFL socket injection molded plastic. INC socket fired ceramic rated for 660W-250V. Lamps furnished by others.

FINISH AND OPTIONS

See page 1020 for finish details and options.

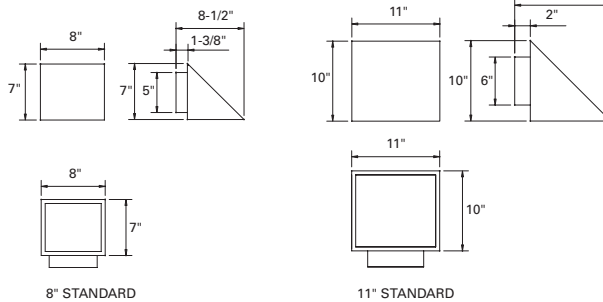


682-WP SERIES

682-WP "Floating" Wedge Wall Sconce features bronze construction and is available in two sizes.

Notes:

1. Available in 8".
2. Available in 11".
3. CFL and MH only.
4. Available with CFL only.
5. Premium TGIC polyester powder coat paint, 2.5 mil nominal thickness for superior protection against fade and wear.
6. Bronze will weather to a dark bronze patina.
7. MH only.



Sample Number: 682-WP-11-CFL/2-277V-GM

Series	Size	Lamp	Voltage	Finish ^{5, 6}	Options
682-WP = Floating Wedge Wall Sconce	8" 11"	CFL/1 (26/32/42W-Triple) ¹ CFL/2 (26/32/42W-Triple) ² CFL/2/32 ¹ INC/1/75 ¹ INC/1/100 ² MH/1/50 ² MH/1/70 ² MH/1/100 ²	120V 277V ³ 347V ⁴	NBZ (standard), BK, BM, CC, DP, GM, GRM, GY, SCL, SM, SNL, VG, WH	BN C PH QR ^{2, 7} TGL

MATERIAL

Painted aluminum or solid bronze. 1/8" white acrylic diffuser for CFL/Incandescent and clear tempered refractive glass for MH. Optional clear tempered glass for full cut-off.

LAMP/SOCKET

8": One (1) or two (2) 26W or 32W (GX24q-3) triple CFL lamp(s), one (1) 42W (GX24q-4) triple CFL lamp, or one (1) 75W A-19 lamp.

11": Two (2) 26W, 32W (GX24q-3) or 42W (GX24q-4) triple CFL lamps, one (1) 50W, 70W or 100W ED-17 Metal halide lamp or one (1) 100W A-19 lamp. CFL socket injection molded plastic. INC socket fired ceramic rated for 660W-250V. MH socket ceramic pulse-rated, 4KV. INC socket fired ceramic rated for 660W/250V. Lamps furnished by others.

BALLAST

Integral electronic HPF multi-volt 120/277V (347V Canada), thermally protected with end-of-life circuitry to accommodate the specified lamp wattage. Contact the factory for 347V. Metal halide ballasts are HPF open core & coil type, multi-volt 120/277V for the specified lamp wattage. Contact the factory for 347V.

INSTALLATION

Supplied with a mounting back for a standard 4" J-box or stucco ring. Optional rear (through wall) feed conduit mounting. Surface mount conduit power feed - Contact factory.

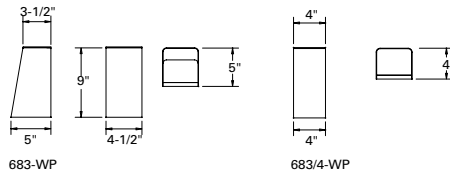
FINISH AND OPTIONS

See page 1020 for finish details and options.



683-WP & 683/4-WP SERIES

683-WP Cylinder Wall Sconce features an aluminum cylinder. The 683/4-WP is ADA compliant.



Sample Number: 683-WP-CFL/1/26-277V-GM

Series	Lamp	Voltage	Finish ²
683-WP = Cylinder Wall Sconce	CFL/1/13	120V	BK, WH (standard),
683/4-WP = ADA Compliant Cylinder Wall Sconce	CFL/1/26 INC/1/60	277V ¹ 347V ¹	BM, CC, DP, GM, GRM, GY, SM

Notes:

- 1 Available with CFL only.
- 2 Premium TGIC polyester powder coat paint, 2.5 mil nominal thickness for superior protection against fade and wear.

MATERIAL

Solid aluminum with open bottom and enclosed top. [Dark Sky Compliant]

BALLAST

Integral electronic HPF, multi-volt 120/277V (347V Canada), thermally protected with end-of-life circuitry to accommodate the specified lamp wattage.

INSTALLATION

Supplied with a universal circular strap for a standard 4" J-box or plaster ring.

LAMP/SOCKET

One (1) 13W (2GX7) 4-pin quad CFL lamp, one (1) 26W (GX24q-3) triple tube CFL lamp or one (1) 60W A-19 lamp. CFL socket injection molded plastic. INC socket fired ceramic rated for 660W-250V. Lamps furnished by others.

FINISH AND OPTIONS

See page 1020 for finish details and options.