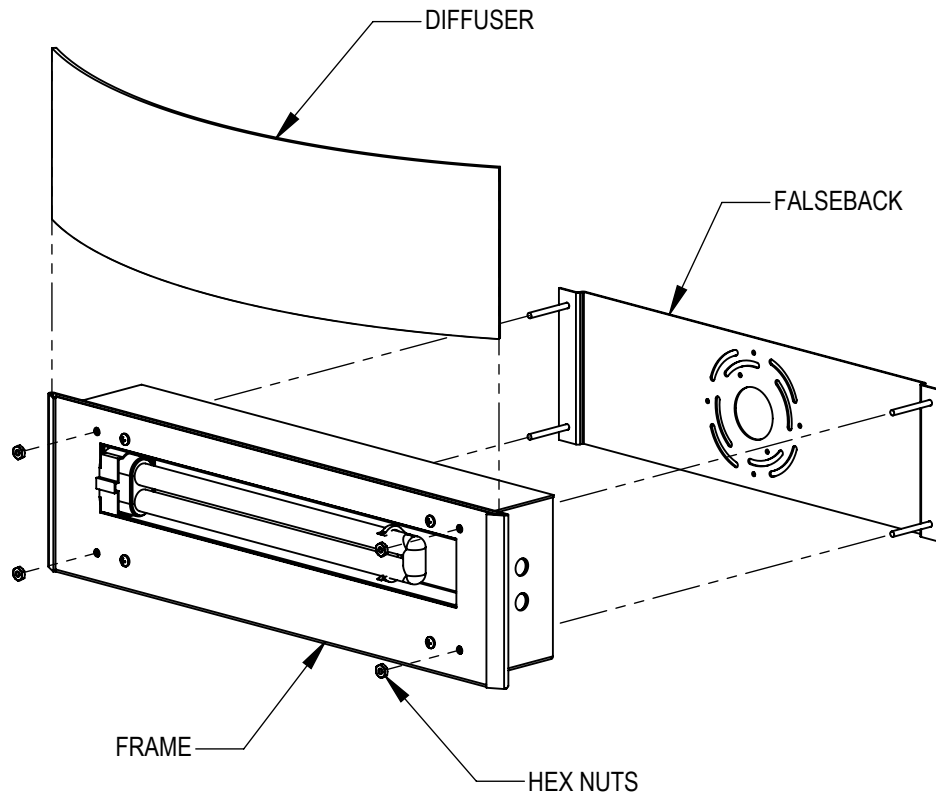
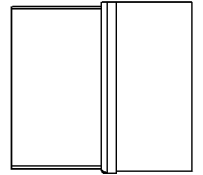


INSTALLATION INSTRUCTIONS



NOTICE:

- For proper installation, have a qualified electrician install this product.
- Before installation of any luminaire onto an electrical junction box, be sure to disconnect power.
- This luminaire must be wired and grounded in accordance with the National Electrical Code, local codes, and ordinances.
- Wire supply connections must be made with U.L. approved connectors.
- Check that luminaire voltage and building voltage are the same.



635-18

CAUTION:

BEFORE INSTALLING AND SERVICING OF LUMINAIRE, EXERCISE SPECIAL CARE AND HANDLING OF PARTS. PLEASE USE GLOVES AND PADDED MATERIAL WHILE HANDLING PARTS TO AVOID SCRATCHING THE FINISH. CLEAN WITH SOFT CLOTHS AND WATER.

INSTRUCTIONS:

1. Attach FALSEBACK to J-box (by others) with 1" long 8-32 screws, making preset screws face out from J-box.
2. Attach ground wire to FALSEBACK with green ground screw.
3. Connect black & white wires from luminaire to black & white wires from supply circuit with U.L. approved wire connectors.
4. Pull up on DIFFUSER to remove from FRAME.
5. Place luminaire over preset mounting screws on FALSEBACK and attach with HEX NUTS.
6. Install lamp to test luminaire before continuing, remembering to turn power on for testing only, then turn power off.
7. Make sure luminaire is level on wall.
8. Replace DIFFUSER in frame.

COOPER Lighting

Shaper[™]

1141 Marina Way South, Richmond, CA 94804 Phone: (510)234-2370 Fax:(510) 234-2371