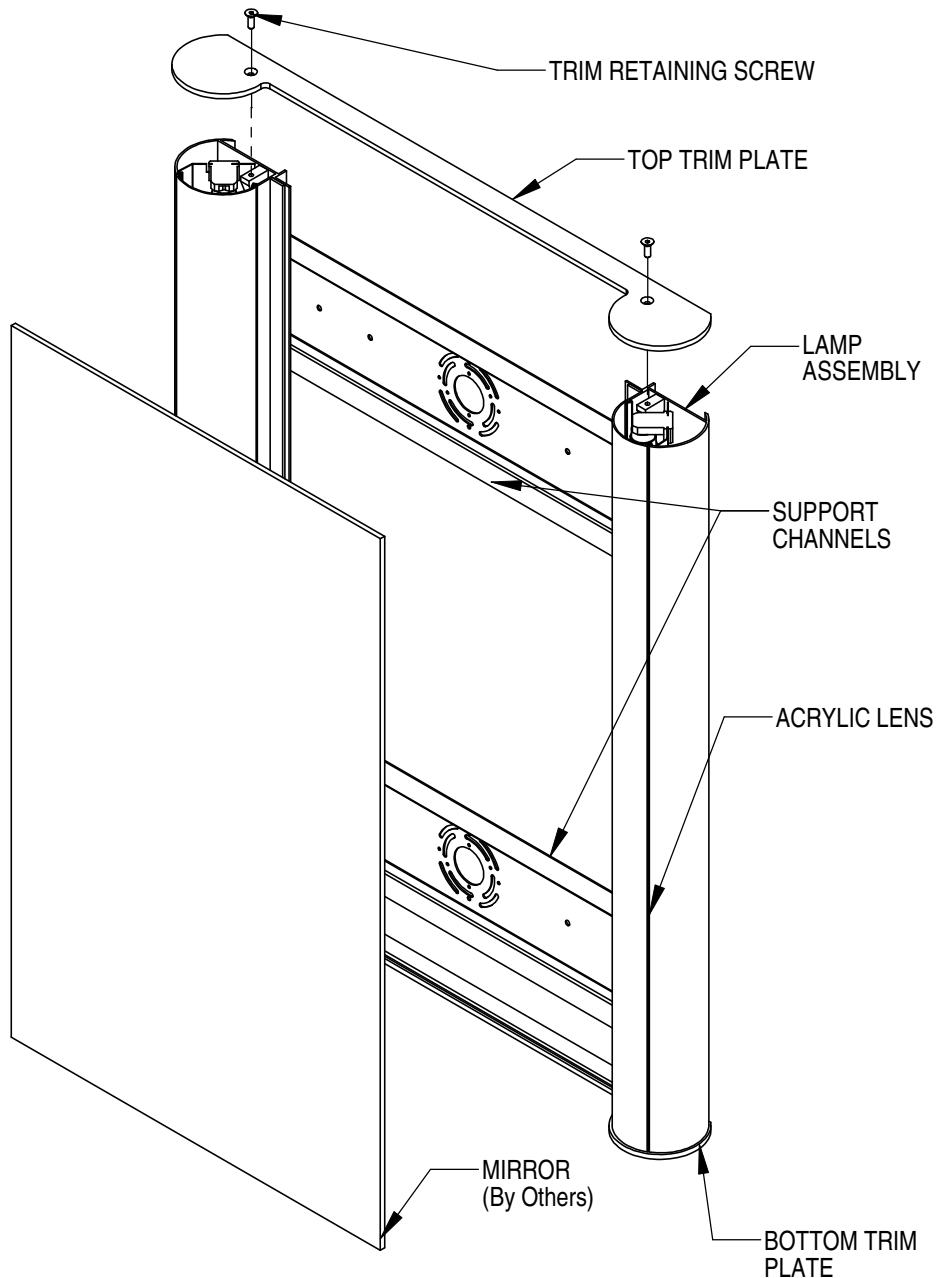
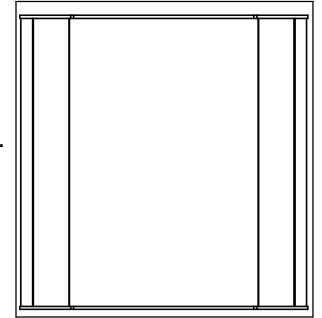


INSTALLATION INSTRUCTIONS



NOTICE:

- For proper installation, have a qualified electrician install this product.
- Before installation of any luminaire onto an electrical junction box, be sure to disconnect power.
- This luminaire must be wired and grounded in accordance with the National Electrical Code, local codes, and ordinances.
- Wire supply connections must be made with U.L. approved connectors.
- Check that luminaire voltage and building voltage are the same.



MODEL 601V-36

INSTRUCTIONS:

1. Remove TRIM RETAINING SCREWS from the TOP TRIM PLATE.
2. Mount the SUPPORT CHANNELS (2) to the wall with the holes provided. (Contractor may add additional holes if needed)
3. Using U.L. approved wire connectors: connect the luminaire neutral (white) to the supply neutral, connect the luminaire line wire (black) to the supply line wire. Fasten green ground wire(s) to ground screw.
4. Remove the ACRYLIC LENS from the LAMP ASSEMBLY and install the lamp. Test the fixture and make sure the power is off before continuing.
5. Reinstall the ACRYLIC LENS by snapping into groove on either side.
6. Install the MIRROR (By others) into the groove at BOTTOM TRIM PLATE and reinstall the TOP TRIM PLATE and TRIM RETAINING SCREWS.

COOPER Lighting

ShaperTM

1141 Marina Way South, Richmond, CA 94804 Phone: (510)234-2370 Fax: (510) 234-2371

11509197

B

9/4/2007

