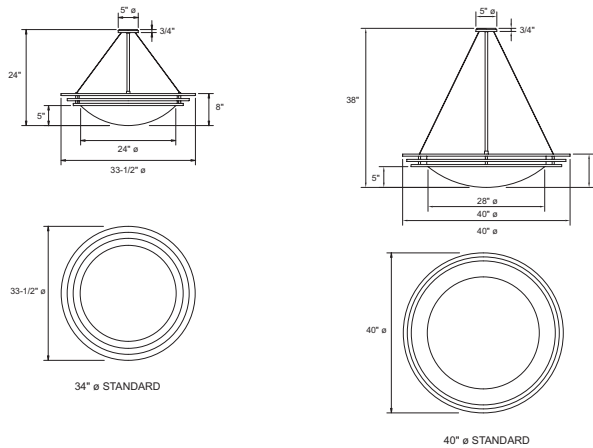




494-S SERIES

494-S Direct/Indirect Pendant features a luminous bowl with a triple ring trim and is available in two diameters with multiple mounting options.



Sample Number: 494-S-34-CFL/8/32-347V-SCL-32

Series	Size	Lamp	Voltage	Finish ⁴	Options	Suspension Height
494-S = Luminous Bowl w/ Triple Ring Trim	34"	CFL/4/26 ¹	120V	MW (standard),	1S	32" (OA) - 34" dia.
	40"	CFL/4/32 ¹	277V ³	CC, OBRS, PB,	3S	38" (OA) - 40" dia.
		CFL/4/39 ²	347V ³	PC, PCP, PN, SAL,	QP	Or Specify
		CFL/4/42 ²		SB, SC, SCL, SCP,	SJCAC	
		CFL/8/26 ¹		SN, SNL	SJWAC	
		CFL/8/32 ¹			TP	
		CFL/8/27 ¹			TSS2B	
		CFL/8/42 ²			TSS3B	
		INC/3/100 ¹			TSS4B	
		INC/6/100 ²			ACR	
					DL	
					DM ⁵	
					IEM	
					SCA ⁶	
					FB	

Notes:

1. Available in 34".
2. Available in 40".
3. Available with CFL only.
4. For polished finishes the bottom inside edge of the ring is satin to prevent upper ring reflections.
5. Consult the factory for available options.
6. Not available with 1SAC, SJWAC or SJCAC. Specify up to 45°.

MATERIAL
Painted and plated cold rolled steel. Matte white acrylic bowl.
Stem Aircraft Cable (Standard): One 5/8" stem and three or four 3/32" cables with a standard hang height of 24" (OA), minimum 20" (OA).

INSTALLATION
Supplied with either a circle strap mounting canopy or bar strap that mounts to a 4" J-box or plaster ring. Integral safety cable provided.

BALLAST
Integral electronic HPF, multi-volt 120/277V (347V Canada), thermally protected with end-of-life circuitry to accommodate the specified lamp wattage.

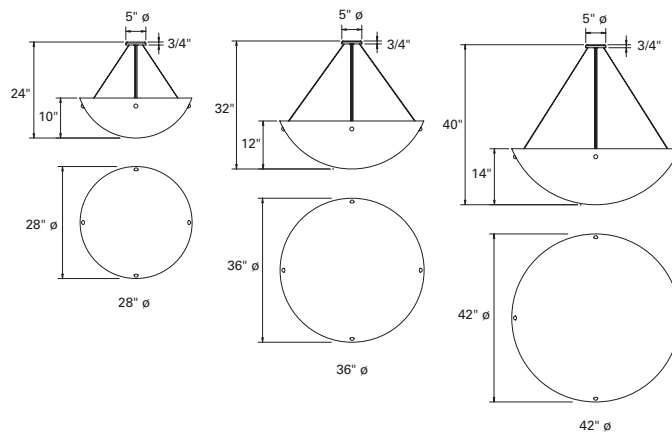
LAMP/SOCKET
34": Four (4) or eight (8) 26W or 32W (GX24q-3) 4-pin triple CFL lamps or three (3) 100W A-19 lamps.
40": Four (4) 39W (2G11) high lumen CFL lamps, (8) 27W (G211) high lumen CFL lamp, 42W (GX24q-4) 4-pin triple CFL lamps or six (6) 100W A-19 lamps. CFL socket injection molded plastic. INC socket fired ceramic rated for 660W-250V. Lamps furnished by others.

FINISH AND OPTIONS
See page 1020 for finish details and options.



499 SERIES

499 Direct/Indirect Pendant features a luminous bowl and is available in three diameters with multiple mounting options.



Sample Number: 499-36-CFL/4/26-347V-OBRS-__

Series	Size	Lamp	Voltage	Finish	Options	Suspension Height
499=	28"	CFL/4/26 ¹	120V	MW (standard),	1S	24" (OA) - 28" dia.
Direct/Indirect Bowl	36"	CFL/4/27 ²	277V ⁴	CC, OBRS, PB, PC,	3S	32" (OA) - 36" dia.
	42"	CFL/4/32 ¹	347V ⁴	PCP, SAL, SB, SC, SCL, SCP	QPB	40" (OA) - 42" dia.
		CFL/4/40 ^{2,3}			SJCAC	Or Specify
		CFL/4/50 ³			SJWAC	
		CFL/6/40 ²			TSS2B	
		CFL/8/40 ³			TSS3B	
		CFL/8/50 ³			TSS4B	
		INC/3/150 ¹			ACR	
		INC/6/100 ²			DL	
		INC/6/150 ³			DM ^{5,6}	
					IEM	
					SCA ⁸	
					FB	
					TR	
					CBD	

Notes:

1. Available in 28".
2. Available in 36".
3. Available in 42".
4. Available with CFL only.
5. Not available in 27V.
6. Consult the factory for available options.
7. Supplied by others.
8. Not available with 1SAC, SJWAC or SJCAC. Specify up to 45°.

MATERIAL
Painted and plated cold rolled steel or natural aluminum. Optional Trim Ring. Matte white acrylic bowl.
Single Stem Aircraft Cable (Standard): One 5/8" stem and three or four 3/32" cables with a standard hang height of 24" (OA) for the 28" dia., 32" (OA) for the 36" dia., and 40" (OA) for the 42" dia., minimum 20" (OA).

INSTALLATION
Supplied with either a circle strap mounting canopy or bar strap that mounts to a 4" J-box or plaster ring. Integral safety cable provided.

BALLAST
Integral electronic HPF, multi-volt 120/277V (347V Canada), thermally protected with end-of-life circuitry to accommodate the specified lamp wattage.

LAMP/SOCKET
28": Four (4) 26W or 32W (GX24q-3) 4-pin triple CFL lamps or three (3) 150W A-19 lamps.
36": Four (4) 27W (2G11) or four (4) or six (6) 40W (2G11) high lumen CFL lamps or six (6) 100W A-19 lamps.
42": Four (4) or eight (8) 40W or 50W (2G11) high lumen CFL lamps or six (6) 150W A-21 lamps. CFL socket injection molded plastic. INC socket fired ceramic rated for 660W-250V. Lamps furnished by others.

FINISH AND OPTIONS
See page 1020 for finish details and options.