

DESCRIPTION

494-RP features a 24" pendant designed for low ceiling applications and offers performance optics by Portfolio.

Catalog #		Type
Project		
Comments		Date
Prepared by		

SPECIFICATION FEATURES

Material

Painted or plated cold rolled steel trim ring with a matte white acrylic bowl. Solid brass or aluminum cable finials. Solid aluminum mounting ring and hardware with cable.

Downlight: One piece precision die cast aluminum 1-1/2" deep collar accommodates varying dimensions of ceiling materials. Precisely formed one piece, clear Alzak®, non-imaging optical reflector ensures 55° cut-off to lamp and lamp image.

Finish

Standard: Matte White (MW)
Premium: Natural Aluminum (NA) [Sustainable Design], Lacquered Satin Aluminum (SAL), Satin Chrome (SC), Lacquered Satin Chrome (SCL), Polished Chrome (PC), Satin Nickel (SN), Lacquered Satin Nickel (SNL), Polished Nickel (PN), Oxidized Brass (OBRS), Satin Brass (SB), Polished Brass (PB), Satin Copper (SCP), Polished Copper (PCP), Oxidized Copper (OCP), Gun Metal (GNM) or Custom Color (CC). Specify finish for the mounting ring and hardware.

Optics

Refer to www.shaperlighting.com for complete photometrics.

Ballast/Integral Emergency Battery Pack

One (1) integral, multi-voltage (120V/277V), electronic CFL (347V Canada) ballast for a 26W, 32W or 42W CFL lamps. Provides flicker free and noise free operation and starting.

Lamp/Socket

Two (2) 26W, 32W (GX24q-3) or 42W (GX24q-4) 4-pin triple CFL lamps. Universal 4-pin CFL socket injection molded plastic with fatigue free stainless steel lamp spring ensures positive lamp retention. Lamps furnished by others.

Installation

Decorative trim/finial/bowl assembly is securely suspended from the mounting ring by three stainless steel cables (provided). Listed for eight #12AWG (four in, four out) 90°C conductors feed through branch wiring. One 1/2" and two 3/4" pry outs. Positioned to allow straight conduit runs. Access to junction box by removing reflector. Accepts 1/2" EMT, C Channel, T-bar fasteners,

Installation (Con't.)

and bar hangers. Adjusts 5" vertically from above or below ceiling. Positive reflector mounting, without tools, pulls trim tight to ceiling. No measuring, cutting or adjustment of cables is required to achieve standard overall height and level mounting. Contractor to provide appropriate structural support for the fixture's weight.

Options

Hand-Painted Faux Alabaster Bowl (FB), Hand Painted Faux Linen Bowl(LNB), Refer to the downlight spec sheet for options, MH Lamping - Contact factory.

Labels

U.L. and C.U.L. listed. Downlight is standard damp label.

Modifications

Contact the factory regarding scale options, unique finishes, mounting, additional materials/ colors, or decorative detailing.



494-RP SERIES

Recessed Pendant Luminaire



QUICK SHIP (QS)

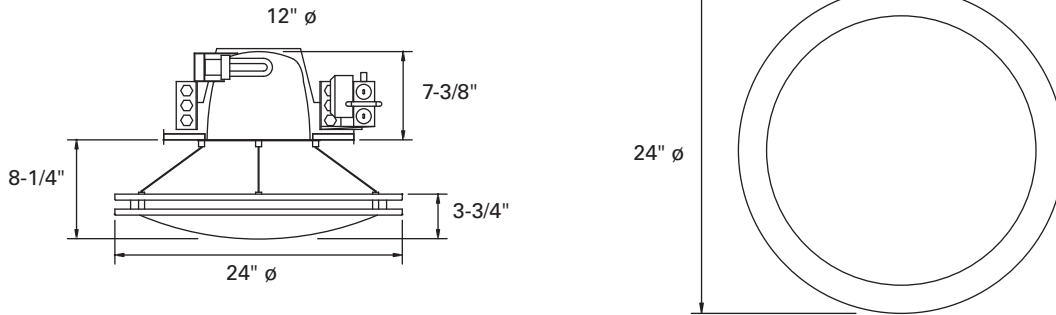
Shaper's Quick Ship program features over thirty-four fixtures with finish options such as Satin Chrome, Natural Aluminum and Satin Brass and a wide variety of lamp selections. All products ship in five days from receipt of order.

ORDERING INFORMATION

Sample Number: 494-RP-CFL/2-277V-PCP

Series 494-RP · 24" Pendant	Voltage 120V 277V 347V	Pendant Trim Finish <u>Standard</u> MW=Matte White <u>Premium</u> CC=Custom Color PB=Polished Brass PC=Polished Chrome PCP=Polished Copper SB=Satin Brass SC=Satin Chrome SCL=Lacquered Satin Chrome SCP=Satin Copper SN=Satin Nickel SNL=Lacquered Satin Nickel OCP=Oxidized Copper GNM=Gun Metal	Ring/Hardware Finish <u>Standard</u> MW=Matte White <u>Premium</u> CC=Custom Color PB=Polished Brass PC=Polished Chrome PCP=Polished Copper SB=Satin Brass SC=Satin Chrome SCL=Lacquered Satin Chrome SCP=Satin Copper SN=Satin Nickel SNL=Lacquered Satin Nickel OCP=Oxidized Copper GNM=Gun Metal	Options DL=Damp Location EM=Emergency Battery Pack FB=Hand Painted Faux Alabaster Bowl LNB=Hand Painted Faux Line Bowl
Lamp CFL/2 (26/32/42W-Triple)				

DIMENSIONS



494-RP Standard

COMPANION PRODUCTS

