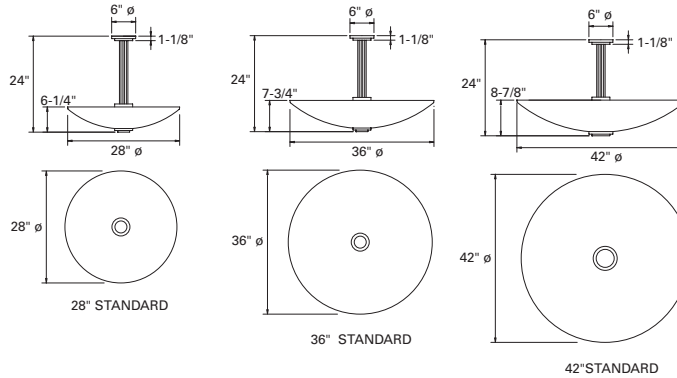


SHAPER™



404 SERIES

404 Direct/Indirect Pendant features a low profile bowl and is available in three diameters with multiple mounting options.



Sample Number: 404-36-CFL/4/26-347V-OBRS-__

Series	Size	Lamp	Voltage	Finish
404=Luminous Shallow Bowl	28"	CFL/4/13 ¹	120V	MW (standard), CC, OBRS, PB, PC PCP, PN, SAL, SB, SC, SCL, SCP, SN, SNL
	36"	CFL/4/26 ¹	277V ⁴	
	42"	CFL/4/27 ²	347V ⁴	

Options	Suspension Height
1S	24"
1SAC	TR
QPB	CT
SJCAC	DL
SJWAC	DM ^{5, 6, 7}
TPB	CFL
TSS2B	IEM ^{2, 3}
TSS3B	REM ⁸
TSS4B	SCA ⁹
2TBF	FB
	Or Specify

Notes:

1. Available in 28".
2. Available in 36".
3. Available in 42".
4. Available with CFL only.
5. Not available in 13W.
6. Not available in 27W.
7. Consult the factory for available options.
8. Supplied by others.
9. Not available with 1SAC, SJWAC or SJCAC. Specify up to 45".

MATERIAL

Painted and plated cold rolled steel, solid brass or aluminum with a matte white acrylic bowl. Optional cold rolled steel, solid brass or stainless steel coming ring. Three stem is standard suspension. Minimum 18" (OA).

INSTALLATION

Supplied with either a circle strap mounting canopy or bar strap that mounts to a 4" J-box or plaster ring. Integral safety cable provided.

BALLAST

Integral electronic HPF, multi-volt 120/277V (347V Canada), thermally protected with end-of-life circuitry to accommodate the specified lamp wattage.

LAMP/SOCKET

28": Four (4) 13W (2GX7) 4-pin low wattage CFL lamps, 26W or 32W (GX24q-3) triple 4-pin CFL lamps or three (3) 75W A-19 lamps.
36": Four (4) or eight (8) 27W (2G11) high lumen CFL lamps, four (4) 42W (GX24q-4) 4-pin triple CFL lamps or six (6) 75W A-19 lamps.
42": Four (4) or eight (8) 39W (2G11) high lumen CFL lamps, four (4) or eight (8) 42W (GX24q-4) 4-pin triple CFL lamps or six (6) 100W A-19 lamps. CFL socket injection molded plastic. INC socket fired ceramic rated for 660W-250V. Lamps furnished by others.

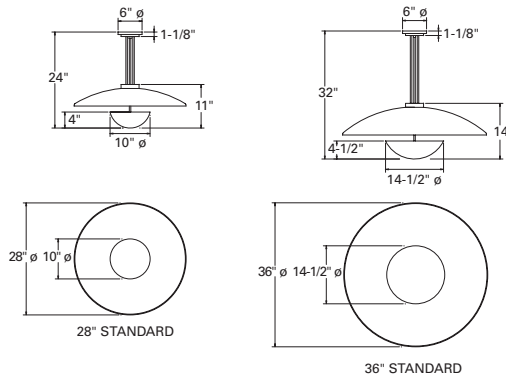
FINISH AND OPTIONS

See page 1020 for finish details and options.



406 SERIES

406 Direct/Indirect Pendant features a luminous, perforated or solid upper dome with an indirect solid lower bowl and is available in two diameters with multiple mounting options.



Sample Number: 406-LUD-36-CFL/4/26-347V-OBRS-__

Series	Bowl	Size	Lamp	Voltage
406=Direct/Indirect Dome	LUD = Luminous Upper Dome	28"	CFL/2/26 ¹	120V
	PUD = Perforated Upper Dome	36"	CFL/2/32 ¹	277V ³
	SUD = Solid Upper Dome		CFL/2/42 ¹	347V ³
			CFL/4/26 ²	
			CFL/4/32 ²	
			INC/2/75 ¹	
			INC/3/75 ²	

Finish	Options	Suspension Height
MW (standard), CC, OBRS, PB ⁴ , PC ⁴ , PCP ⁵ , PN ⁴ , SAL, SB, SC, SCL, SCP, SN, SNL	1S, TSS2B, TSS3B, TSS4B, CT ⁸ , DL	24" Or Specify
	DM ⁷ , REM ⁸ , SCA ⁹	

Notes:

1. Available in 28".
2. Available in 36".
3. Available with CFL only.
4. LUD and 28" SUD only.
5. 28" SUD only.
6. LUD only.
7. Consult the factory for available options.
8. Supplied by others.
9. Specify up to 45".

MATERIAL

Painted and plated cold rolled steel or aluminum. Optional Coming Trim, luminous dome. Matte white acrylic Luminous Upper Dome (LUD), Perforated Upper Dome with acrylic liner and coming trim (PUD) or Solid Upper Dome (SUD) that is supplied with a painted white interior, exterior as per finish specification. Three stem is standard suspension. Minimum 18" (OA).

BALLAST

Integral electronic HPF, multi-volt 120/277V (347V Canada), thermally protected with end-of-life circuitry to accommodate the specified lamp wattage.

INSTALLATION

Supplied with a universal circular strap for a standard 4" J-box or plaster ring. Safety cable provided.

LAMP/SOCKET

28": Two (2) 26W, 32W (GX24q-3) or 42W (GX24q-4) 4-pin triple CFL lamps or two (2) 75W A-19 lamps.
36": Four (4) 26W, 32W (GX24q-3) or 4-pin triple CFL lamps or three (3) 75W A-19 lamps. CFL socket injection molded plastic. INC socket fired ceramic rated for 660W-250V. Lamps furnished by others.

FINISH AND OPTIONS

See page 1020 for finish details and options.