

DESCRIPTION

404 Direct/Indirect Pendant features a low profile bowl and is available in three diameters with multiple mounting options.

Catalog #		Type	
Project		Date	
Comments			
Prepared by			

SPECIFICATION FEATURES

Material/Mounting

Painted and plated cold rolled steel, solid brass or aluminum with a matte white acrylic bowl. Optional cold rolled steel, solid brass or stainless steel coming ring. Three Stem (Standard): Three 3/8" stems with a standard height of 24" (OA), minimum 18" (OA). Maximum overall hang height for one piece stem assembly is 5' (OA). Lengths from 5' to 25' a 5/8" Collector Body (CB) will be provided. Contact factory for lengths above 25'. Specify SCA for sloped ceilings up to 45°.

Finish

Standard: Matte White (MW). Premium: Satin Chrome (SC), Polished Chrome (PC), Natural Aluminum (NA)[Sustainable Design], Lacquered Satin Aluminum (SAL), Satin Brass (SB), Polished Brass (PB), Oxidized Brass (OBRS), Satin Copper (SCP), Polished Copper (PCP), Oxidized Copper (OCP), Satin Nickel (SN), Polished Nickel (PN), Lacquered Satin Chrome (SCL), Lacquered Satin Nickel (SNL), Gun Metal (GNM) or Custom Color(CC).

Optics

Refer to www.shaperlighting.com for complete photometrics.

Ballast

Integral electronic HPF, multi-volt 120/277V (347V Canada), thermally protected with end-of-life circuitry to accommodate the specified lamp wattage.

Lamp/Socket

28": Four (4) 13W (2GX7) 4-pin low wattage CFL lamps, 26W or 32W (GX24q-3) triple 4-pin CFL lamps or three (3) 75W A-19 lamps.
36": Four (4) or eight (8) 27W (2G11) high lumen CFL lamps, four (4) 42W (GX24q-4) 4-pin triple CFL lamps or six (6) 75W A-19 lamps.
42": Four (4) or eight (8) 39W (2G11) high lumen CFL lamps, four (4) or eight (8) 42W (GX24q-4) 4-pin triple CFL lamps or six (6) 100W A-19 lamps. CFL socket injection molded plastic. INC socket fired ceramic rated for 660W-250V. Lamps furnished by others.

Installation

Supplied with either a circle strap mounting canopy or bar strap that mounts to a 4" J-box or plaster ring. Integral safety cable provided.

Options

Hand Painted Faux Alabaster Bowl (FB), Hand Painted Faux Linen Bowl (LNB), Dimming Ballast (except 13W or 27W CFL)-

Contact the factory for ballast options (DM), Caming Trim (CT), Sloped Ceiling Adaptor - (Tri-Pod, Quad-Pod, & Triple Stem, Multi-Bowls only)-Specify up to 45° (SCA), Double Trim Bars with finial (2TBF) Two Trim Rings with Balls (2TRB), Remote Emergency Battery - Supplied by others (28") (REM), MRI applications (INC only)-contact factory, Integral Emergency Battery (36" & 42") (IEM), Trim Ring (TR), Damp Location (DL): All Painted Finishes, Lacquered Satin Chrome (SCL) and Lacquered Satin Nickel (SNL) finishes only. Energy Star Rating-Consult Factory.

Labels

U.L. and C.U.L approved for indoor and damp location. See Options for damp location finishing requirements.

Modifications

Shaper's skilled craftspeople with their depth of experience offer the designer the flexibility to modify standard pendant luminaires for project specific solutions. Contact the factory regarding scale options, unique finishes, mounting, additional materials/colors, or decorative detailing.



404 SERIES

Pendant Luminaire
Luminous
Shallow Bowl



ORDERING INFORMATION

Sample Number: 404-36-INC/6/75-120V-PCP-24

Series 404 =Luminous Shallow Bowl	Lamp 28" CFL/4/13 CFL/4 (26/32W -Triple) INC/3/75 36" CFL/4/27 CFL/8/27 CFL/4/42 INC/3/75 42" CFL/4/42 CFL/4/39 CFL/8/39 CFL/8/42 INC/6/100	Finish Standard MW= Matte White Premium CC= Custom Color GNM= Gun Metal NA= Natural Aluminum OBRS= Oxidized Brass OCP= Oxidized Copper PB= Polished Brass PC= Polished Chrome PCP= Polished Copper PN= Polished Nickel SAL= Lacquered Satin Aluminum SB= Satin Brass SC= Satin Chrome SCL= Lacquered Satin Chrome SCP= Satin Copper SN= Satin Nickel SNL= Lacquered Satin Nickel	Options 1S=Single Stem 1SAC =Single Stem Aircraft Cable QPB =Quad-Pod w/ Decorative Balls SJCAC =Aircraft Cable w/ Clear SJ Cord SJCAC =Aircraft Cable w/ White SJ Cord TPB =Tri-Pod w/ Decorative Balls TSS2B =Triple Stem Suspended Double Bowl TSS3B =Triple Stem Suspended Triple Bowl TSS4B =Triple Stem Suspended Four Bowl 2TBF =Double Trim Bars w/ Finial 2TRB =Two Trim Rings w/ Balls TR=Trim Ring CT=Caming Trim DL= Damp Location ⁹ DM= CFL Dimming Ballast ^{4,5,6} IEM=Integral Emergency Ballast ^{1,2} FB = Hand Painted Faux Alabaster Bowl LNB= Hand Painted Faux Linen Bowl SCA= Sloped Ceiling Adaptor ⁸ REM= Remote Emergency Ballast ⁷	Suspension Height 24" or specify.
---	--	--	---	--

- Notes:**
- Available in 36".
 - Available in 42".
 - Available with CFL only.
 - Not available in 13W.
 - Not available in 27W.
 - Consult the factory for available options.
 - Supplied by others.
 - Not available with 1SAC, SJCAC or SJCAC.
 - Specify up to 45°.
 - Interior applications only.

SUSTAINABLE DESIGN

Shaper has a long-standing history of offering environmentally-friendly fixtures. The copper and bronze alloys used in our exterior luminaires feature up to 98% recycled content, contribute less undesirable air emissions compared to painted aluminum and are easy to recycle.

MRI MAGNETIC RESONANCE IMAGING (MRI)

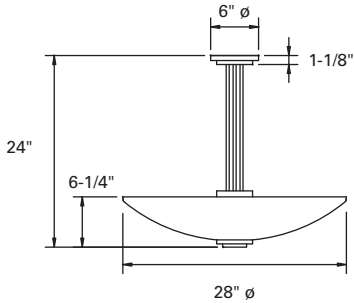
Lighting fixtures for MRI facilities are specialized and unique, requiring non-ferrous construction. Fluorescent fixtures cannot be used due to the ferrous parts in ballasts and lampholders. Modified incandescent fixtures meet the requirements.

QUICK SHIP (QS)

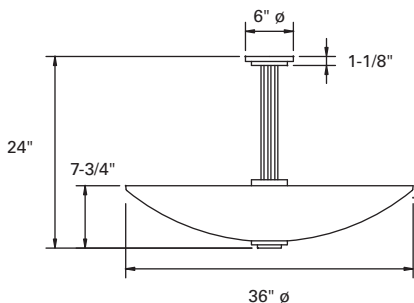
Shaper's Quick Ship program features over thirty-four fixtures with finish options such as Satin Chrome, Natural Aluminum and Satin Brass and a wide variety of lamp selections. All products ship in five days from receipt of order.

Refer to the Icon Legend Link on shaperlighting.com.

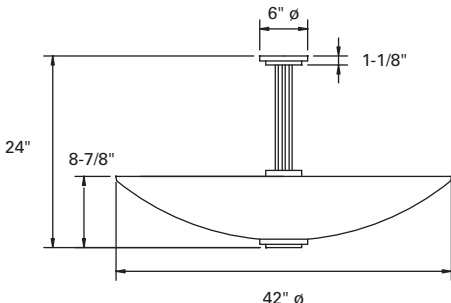
404 STANDARD



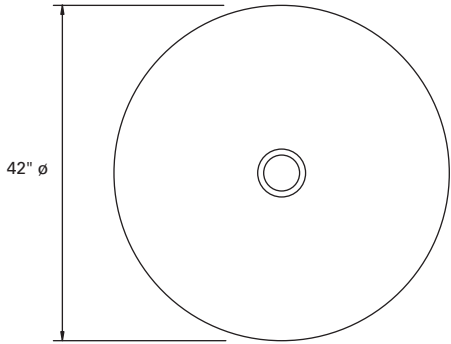
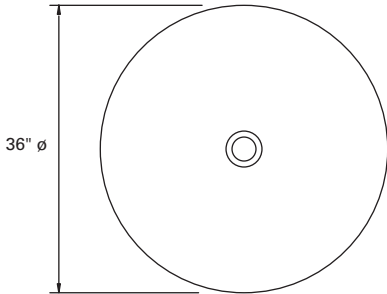
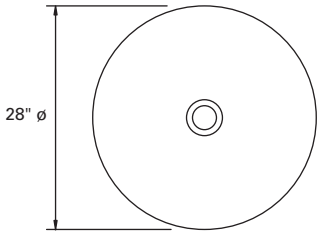
404 - 28" STANDARD



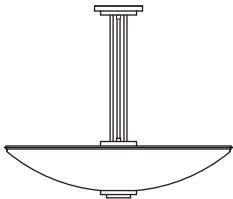
404 - 36" STANDARD



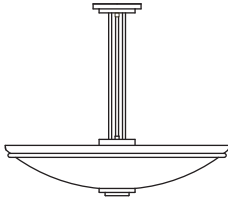
404 - 42" STANDARD



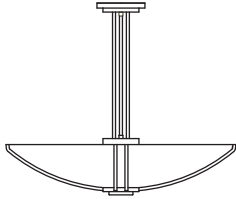
404 STANDARD TRIM OPTIONS



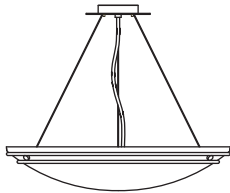
CAMING TRIM (CT)



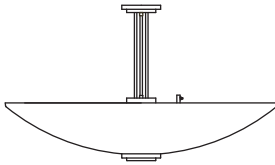
TRIM RING (TR)



DOUBLE TRIM BARS WITH FINIAL (2TBF)



TWO TRIM RINGS WITH BALLS (2TRB)



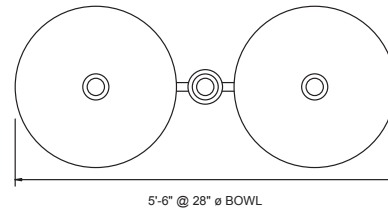
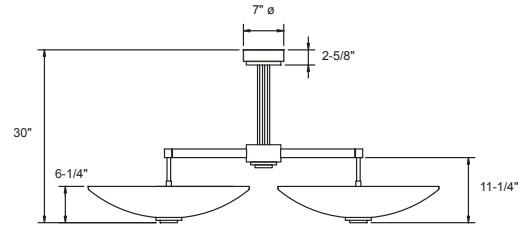
INTEGRAL EMERGENCY BATTERY (IEM)

404 SUSPENSION OPTIONS

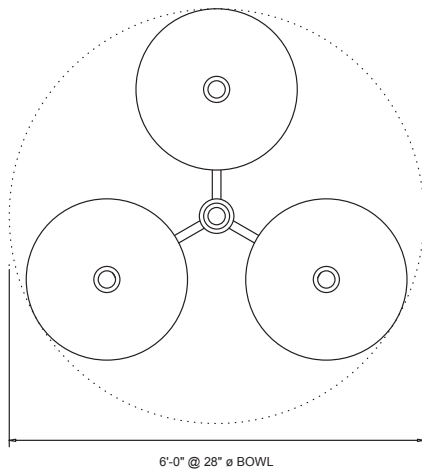
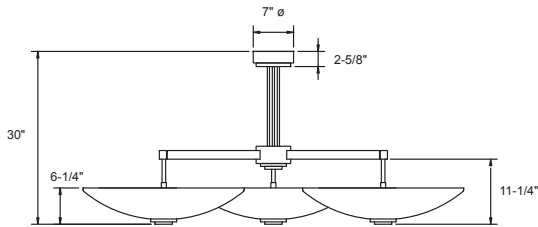
Triple Stem Suspended Double Bowl (TSS2B): Three 3/8" stems with a standard hang height of 30" (OA), minimum. Maximum overall hang height for one piece stem assembly is 5' (OA). Lengths from 5' to 25' a white 5/8" Collector Body (CB) will be provided. Standard bowl stem length is 5", contact factory for custom lengths. Contact factory for lengths above 25'. Specify SCA for sloped ceilings up to 45°.

Triple Stem Suspended Triple Bowl (TSS3B): Three 3/8" stems with a standard hang height of 30" (OA), minimum. Maximum overall hang height for one piece stem assembly is 5' (OA). Lengths from 5' to 25' a 5/8" Collector Body (CB) will be provided. Standard bowl stem length is 5", contact factory for custom lengths. Contact factory for lengths above 25'. Specify SCA for sloped ceilings up to 45°.

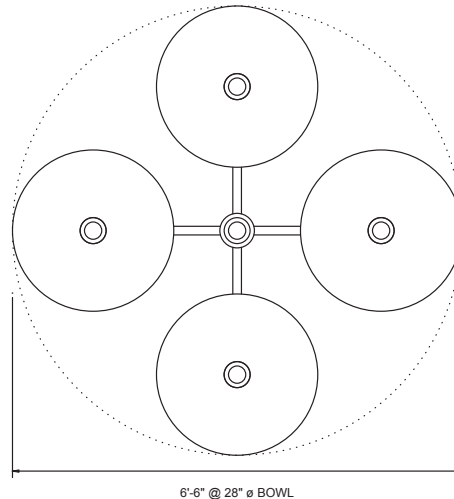
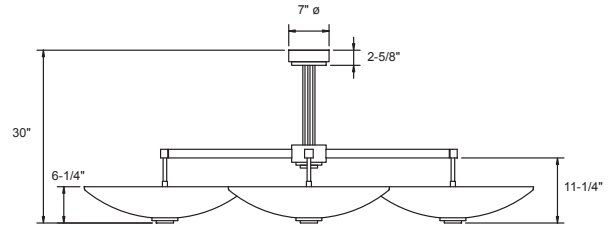
Triple Stem Suspended Four Bowl (TSS4B): Three 3/8" standard stems with a standard hang height of 30" (OA), minimum. Maximum overall hang height for one piece stem assembly is 5' (OA). Lengths from 5' to 25' a 5/8" Collector Body (CB) will be provided. Contact factory for lengths above 25'. Standard bowl stem length is 5", contact factory for custom lengths. Specify SCA for sloped ceilings up to 45°.



**TRIPLE STEM SUSPENDED
DOUBLE BOWL (TSS2B)**



**TRIPLE STEM SUSPENDED
TRIPLE BOWL (TSS3B)**



**TRIPLE STEM SUSPENDED
FOUR BOWL (TSS4B)**

Single Stem (1S): 5" cast canopy with a 1 1/2" swivel ball. One 5/8" stem with a standard hang height of 24" (OA), minimum 18" (OA). Maximum overall hang height for one piece stem assembly is 8' (OA). 9' to 30' (OA) stems are supplied in multiple sections. Supplied with a swivel canopy which will accommodate up to 45° adjustment.

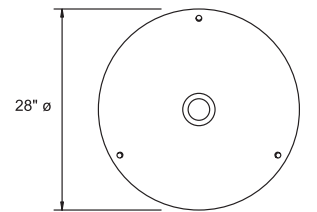
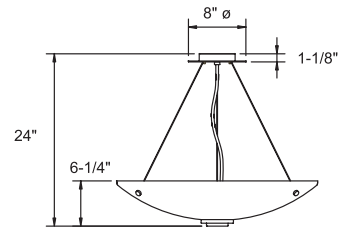
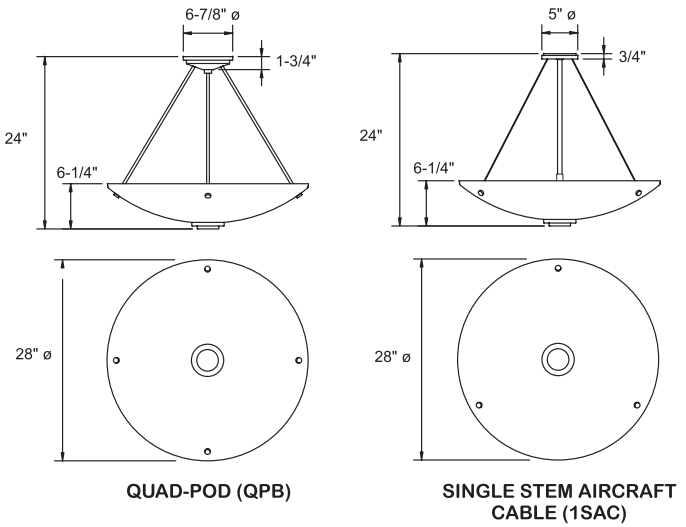
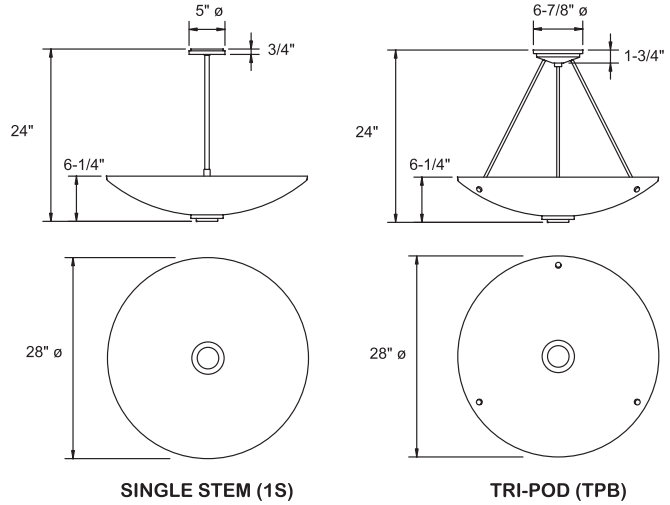
Tri-Pod (TPB) & Quad-Pod with Decorative Balls (QPB): Three or four 3/8" stem with a standard hang height of 24" (OA), minimum 18" (OA). Maximum overall hang height is 8' (OA). Contact factory for lengths above 8'. Decorative balls secure the bowl to support system. Specify SCA for sloped ceilings up to 45°.

Single Stem Aircraft Cable (1SAC): One 5/8" stem and 3/32" cables with a standard hang height of 24" (OA), minimum 18" (OA). Maximum overall hang height is 25' (OA). Decorative balls secure the bowl to support system. Contact factory for lengths above 25'.

Aircraft Cable with a White SJ Cord (SJWAC): 3/32" cables with a standard hang height of 24" (OA), minimum 18" (OA). Maximum overall hang height is 25' (OA). Contact factory for lengths above 25'. Decorative balls secure the bowl to support system. Optional clear SJ cord (SJCAC).

Installation

Multi-Bowl Pendants: Supplied with a mounting plate with swivel balls and hanger bracket. Contractor to provide appropriate structural support for fixture weight. Refer to the installation drawings for details. Integral safety cable provided.



AIRCRAFT CABLE WITH WHITE SJ CORD (SJWAC)

COMPANION PRODUCTS



612

642-A

410