

Fisher-Price®

M7932



WARNING

**IMPORTANT! KEEP INSTRUCTIONS FOR
FUTURE REFERENCE.**

www.fisher-price.co.uk



WARNING

To prevent serious injury or death:

- **Fall Hazard** - It is dangerous to use this product on an elevated surface, since child's movement may cause the product to slide or tip over. Use only on a floor.
- **Suffocation Hazard** - Never use on a soft surface (bed, sofa, cushion) since the product can tip over and cause suffocation in soft surfaces.
- Never leave child unattended.
- Never use as a carrier or lift while child is seated. Never use the toy bar as a handle.
- Always use the restraint system.
- Never use as a car seat.
- Not recommended for children who can sit up by themselves (6 months approximately, until 9 Kg/20 lbs).

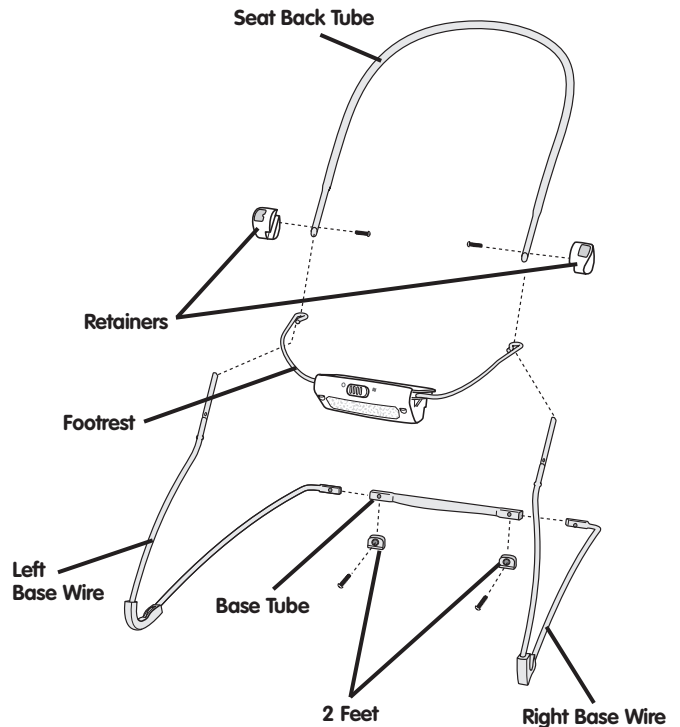
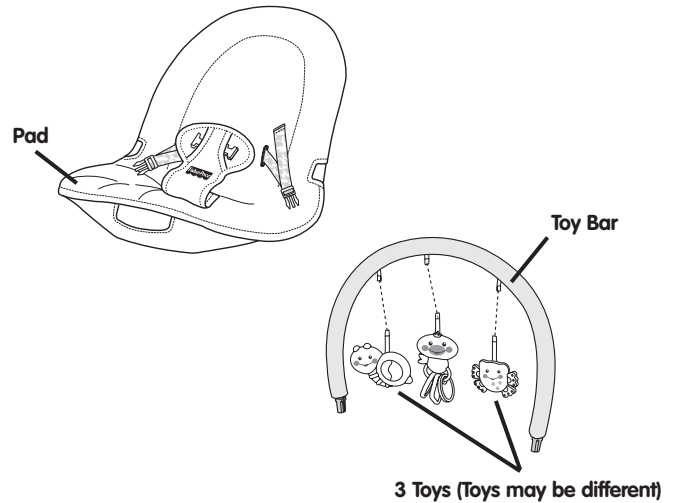


CAUTION

This package contains small parts in its unassembled state. Adult assembly is required.

- Please read these instructions before assembly and use of this product.
- Adult assembly is required. Tool needed for assembly: Phillips screwdriver (not included).
- Requires one "D" (LR20) alkaline battery (not included) for operation.
- Product features and decorations may vary from photo.

IMPORTANT! Please remove all parts from the package and identify them before assembly. Some parts may be packed in the pad.



Tighten and loosen all screws with a Phillips screwdriver.
Do not over-tighten the screws.

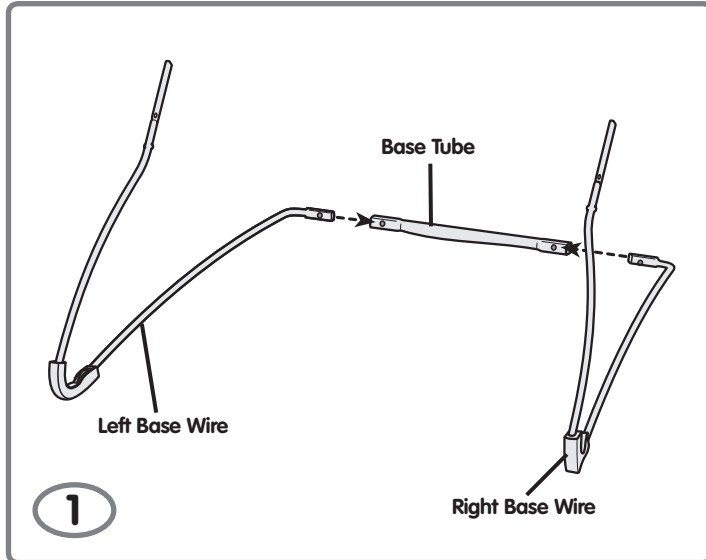


M5 x 20 mm Screw - 4

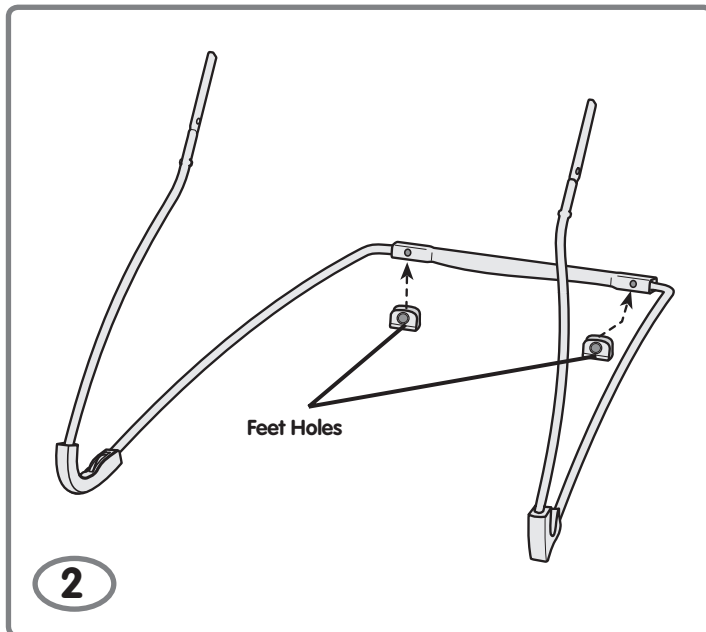
Shown Actual Size

Assembly

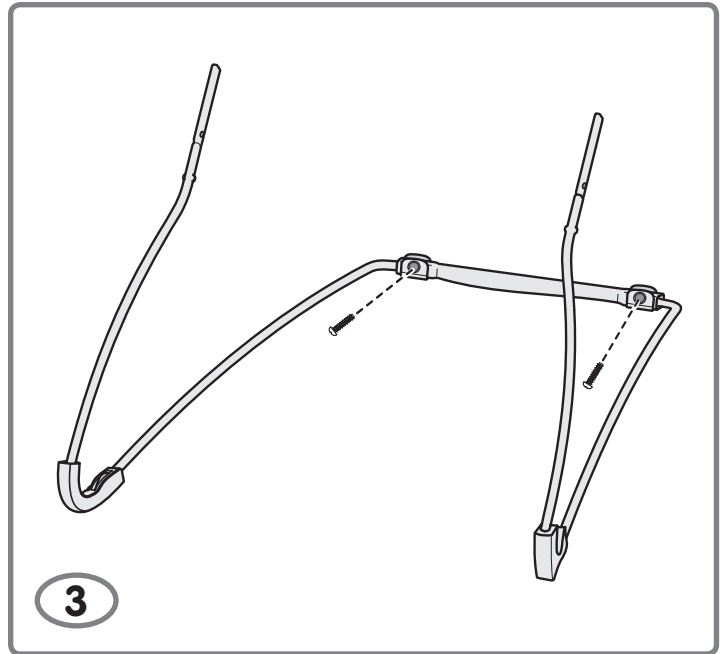
IMPORTANT! Before assembly and each use, inspect this product for damaged hardware, loose joints, missing parts or sharp edges. DO NOT use if any parts are missing or broken. Contact Mattel for replacement parts and instructions if needed. Never substitute parts.



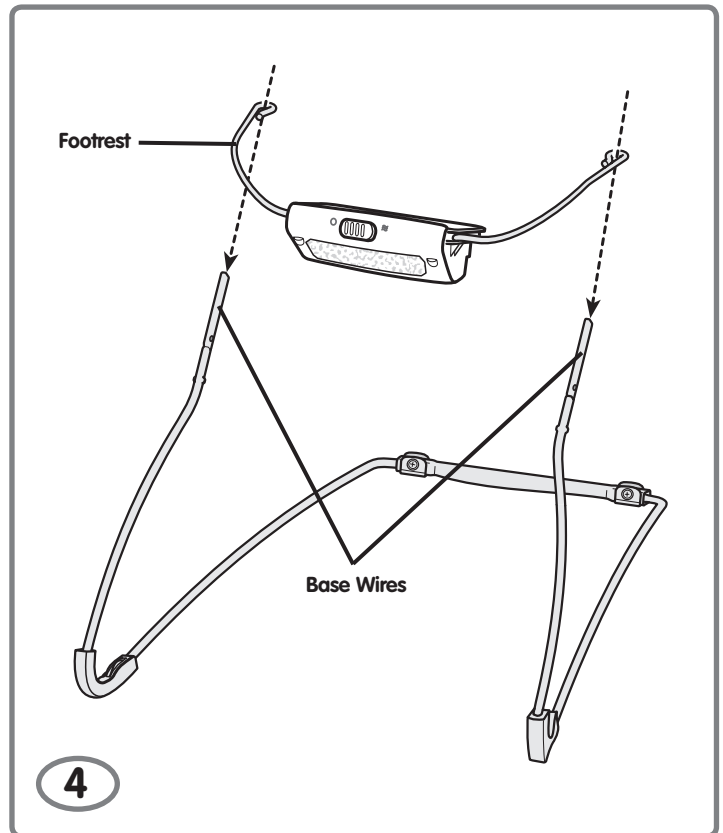
- Place the base tube on a flat surface.
- Position the left and right base wires as shown.
- Fit the left base wire and right base wire into the base tube.



- Position the feet so the holes are toward you and the non-skid surface is down.
- Fit the feet on the base tube, as shown.

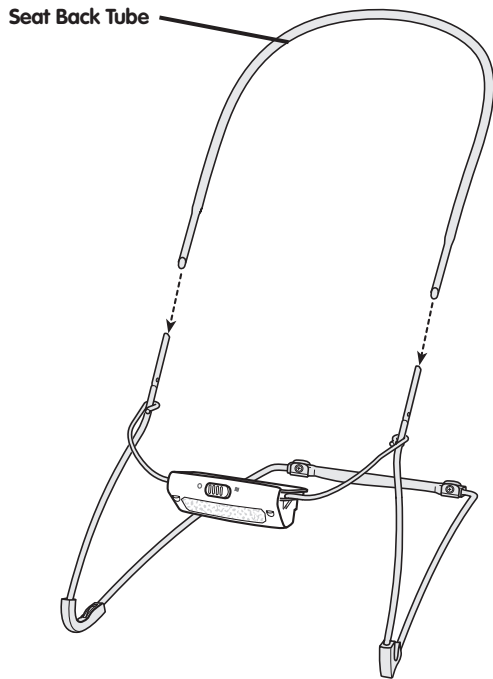


- Insert an M5 x 20 mm screw through each foot and tighten.

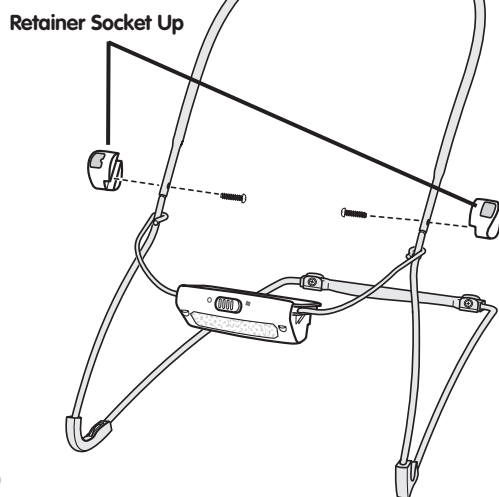


- Position the footrest so that the soothing unit is upright.
- Fit the footrest onto the ends of the base wires.

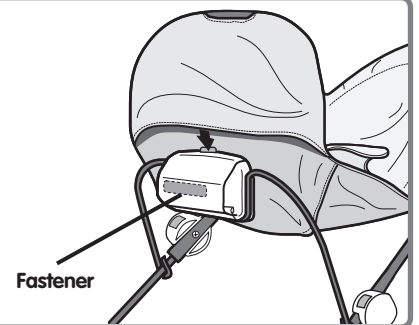
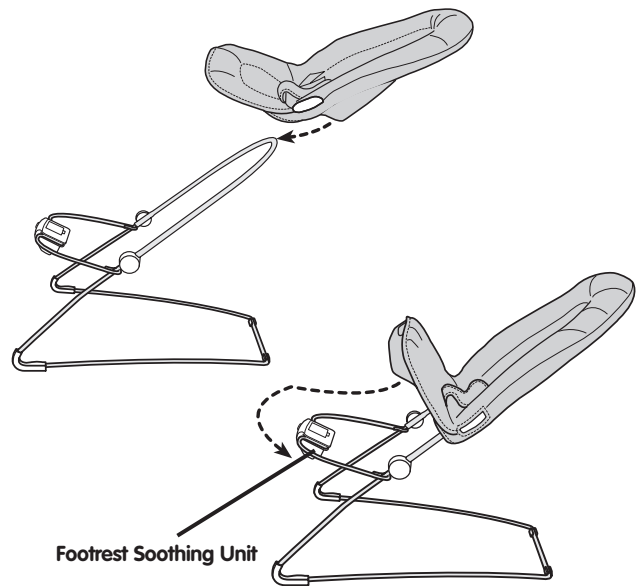
Assembly



- Fit the seat back tube onto the ends of the base wire.
- Push the seat back tube to be sure it is completely on the base wires.



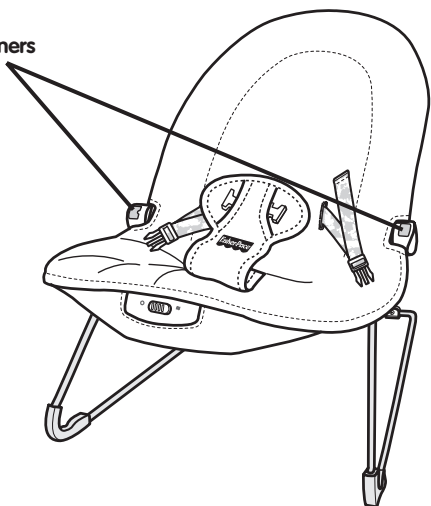
- Fit a retainer to the outside of the seat back tube, as shown. Make sure the socket in the retainer is upright.
- Insert an M5 x 20 mm screw through the hole in the seat back tube, base wire and into the inside of the retainer.
- Repeat this procedure to assemble the other retainer to the other side of the seat back tube.
- Pull the seat back tube up to be sure it is secure. If you can remove either end of the seat back tube, you have not assembled the retainers correctly. Remove the screws, re-read and repeat Assembly steps 5 and 6.



- Position the pad above the frame.
- Fit the upper pocket on the back of the pad onto the seat back tube.
- Lift the footrest. Fit the lower pocket on the back of the pad onto the footrest. Lower the footrest.
- Attach the pad fastener to the fastener on the soothing unit.

Assembly

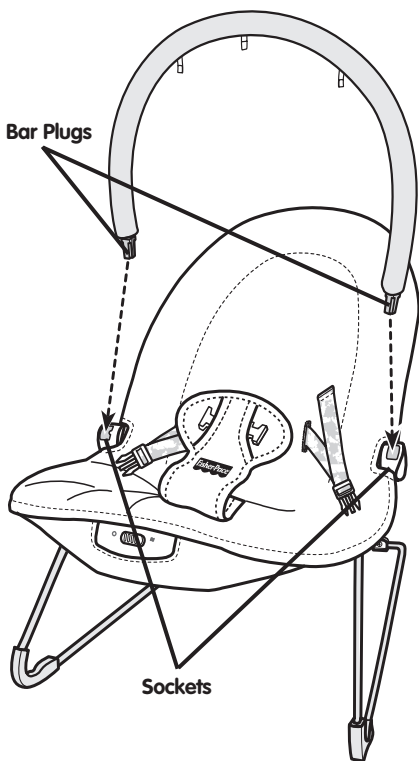
Retainers



8

- Fit the retainers through the side openings in the pad.

Toy Bar Plugs

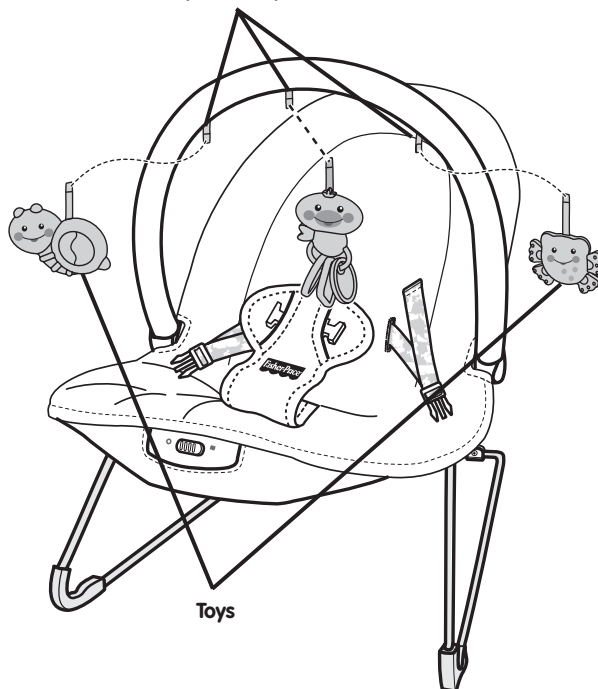


Sockets

9

- Insert and “snap” the toy bar plugs into each socket.
Hint: The toy bar is removable. Press the ends of the latches and lift the toy bar.

Toy Bar Straps



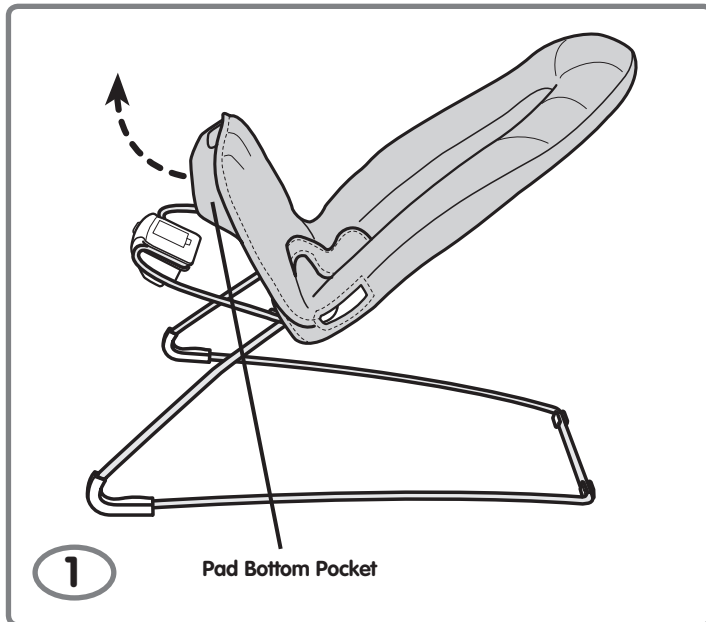
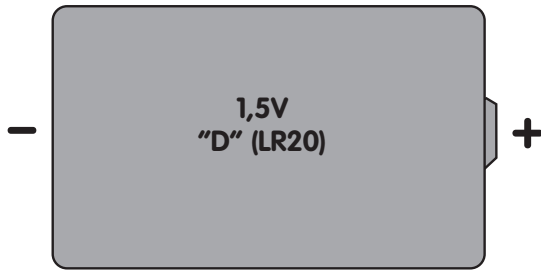
Toys

10

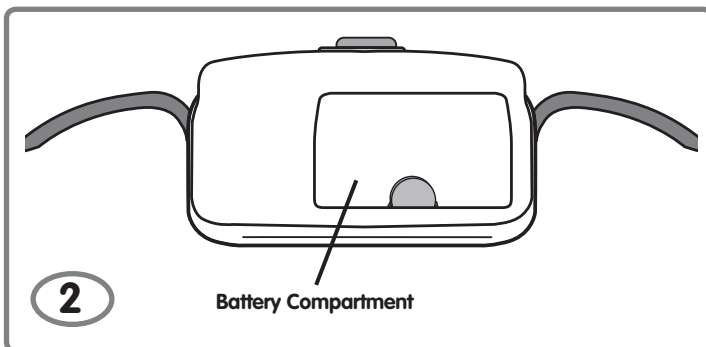
- Fasten the toy straps to the toy bar straps.
Assembly is now complete.

Battery Installation

*Hint: We recommend using **alkaline** batteries for longer battery life.*



- Remove the pad bottom pocket from the footrest.



- Insert a coin into the battery compartment door and pry the battery compartment door off.
- Insert one "D" (LR20) **alkaline** battery into the battery compartment.
- Replace the battery compartment door.
- Pull and fit the pad seat bottom pocket around the soothing unit and footrest.



- Protect the environment by not disposing of this product with household waste (2002/96/EC). Check your local authority for recycling advice and facilities (Europe only).

Battery Safety Information

In exceptional circumstances, batteries may leak fluids that can cause a chemical burn injury or ruin your product. To avoid battery leakage:

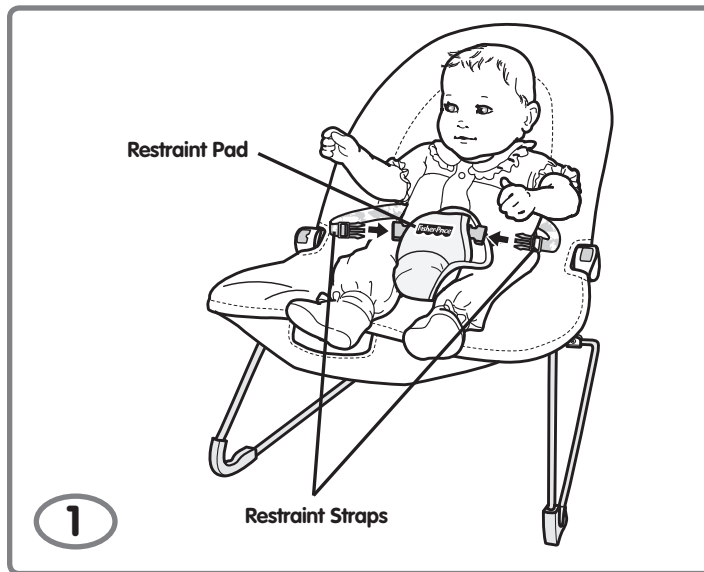
- Do not mix old and new batteries or batteries of different types: alkaline, standard (carbon-zinc) or rechargeable (nickel-cadmium).
- Insert batteries as indicated inside the battery compartment.
- Remove batteries during long periods of non-use. Always remove exhausted batteries from the product. Dispose of batteries safely. Do not dispose of product in a fire. The batteries inside may explode or leak.
- Never short-circuit the battery terminals.
- Use only batteries of the same or equivalent type as recommended.
- Do not charge non-rechargeable batteries.
- Remove rechargeable batteries from the product before charging.
- If removeable, rechargeable batteries are used, they are only to be charged under adult supervision.



WARNING

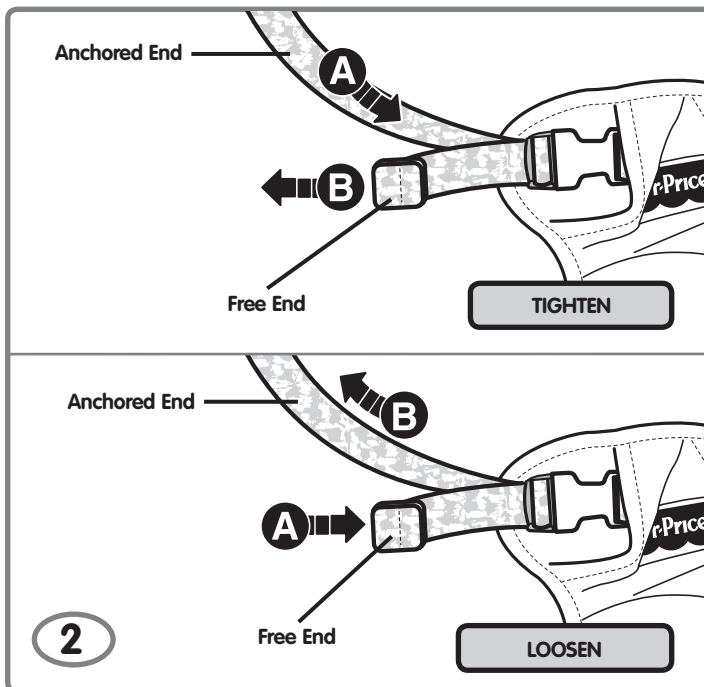
To prevent serious injury or death:

- **Fall Hazard** - It is dangerous to use this product on an elevated surface, since child's movement may cause the product to slide or tip over. Use only on a floor.
- **Suffocation Hazard** - Never use on a soft surface (bed, sofa, cushion) since the product can tip over and cause suffocation in soft surfaces.
- Never leave child unattended.
- Never use as a carrier or lift while child is seated. Never use the toy bar as a handle.
- Always use the restraint system.
- Never use as a car seat.
- Not recommended for children who can sit up by themselves (6 months approximately, until 9 Kg/20 lbs).



Securing Your Child

- Place your child in the seat. Position the restraint pad between your child's legs.
- Fasten the restraint straps to the restraint pad. **Make sure you hear a "click" on both sides.**
- Check to be sure the restraint system is securely attached by pulling it away from your child. The restraint system should remain attached.



To tighten the restraint straps:

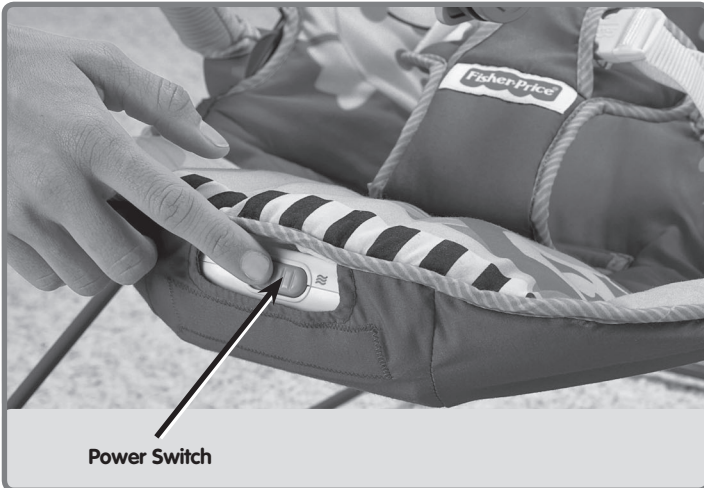
- Feed the anchored end of the restraint strap up through the buckle to form a loop **A**. Pull the free end of the restraint strap **B**.

To loosen the restraint straps:

- Feed the free end of the restraint strap up through the buckle to form a loop **A**. Enlarge the loop by pulling on the end of the loop toward the buckle. Pull the anchored end of the restraint strap to shorten the free end of the restraint strap **B**.

Soothing Unit

Consumer Information



- Make sure your child is properly secured in the seat.
- Slide the power switch to:

○ Off

≅ Vibrations

IMPORTANT! Low battery power causes this product to operate erratically: no vibrations and the product may not turn off. Remove and discard the battery and replace with a new “D” (LR20) **alkaline** battery.

Great Britain: Vanwall Business Park, Maidenhead SL6 4UB.
Helpline: 01628 500303. www.service.mattel.com/uk.

Australia: Mattel Australia Pty. Ltd., 658 Church Street,
Locked Bag #870, Richmond, Victoria 3121 Australia.
Consumer Advisory Service 1300 135 312.

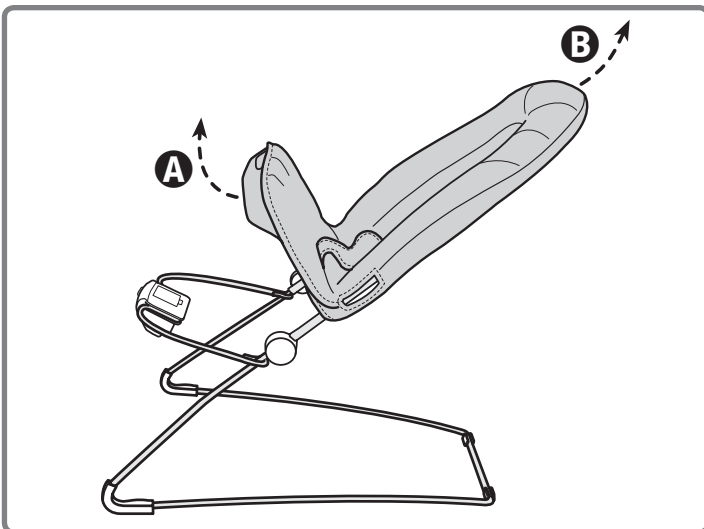
New Zealand: 16-18 William Pickering Drive,
Albany 1331, Auckland.

Asia: Mattel East Asia Ltd, Room 1106, South Tower,
World Finance Centre, Harbour City, Tsimshatsui, HK, China.

Malaysia: Diimport & Diedarkan Oleh: Mattel SEA Ptd Ltd.
(993532-P) Lot 13.5, 13th Floor, Menara Lien Hoe, Persiaran
Tropicana Golf Country Resort, 47410 PJ. Tel: 03-78803817,
Fax: 03-78803867.

Care

- The pad is machine washable. Wash it separately in cold water on the gentle cycle. Do not use bleach. Tumble dry separately on low heat and remove promptly.
- The frame and toys may be wiped clean using a mild cleaning solution and a damp cloth. Do not use bleach. Do not use harsh or abrasive cleaners. Rinse clean with water to remove residue. Do not immerse the frame.



To remove the pad: First remove the bottom pocket of the pad **A**. Then, remove the upper pad flap **B**.

To replace the pad, refer to Assembly steps 7 - 8.